

WARRIOR Figure 270 Brass Hose Union Bibtap and 271 Brass Hose union Bibtap with Double Check Valve

Description

Warrior Brass Hose Union Bibtaps are supplied in 1/2" and 3/4", the 1/2" is also available incorporating a Double Check Valve.

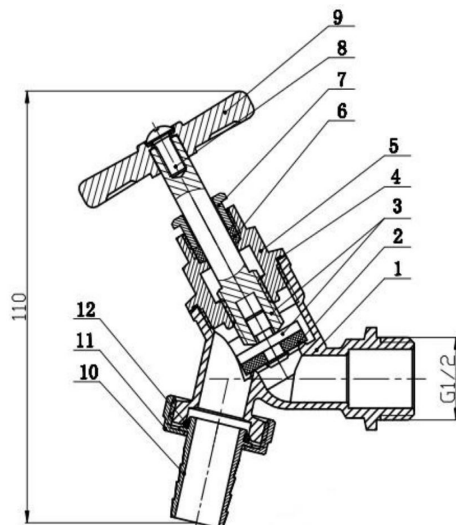
Warrior Brass Hose Union Bibtaps are most often used as a garden tap with the facility to attach a hose pipe. The 1/2" is also available with an integral Double Check Valve.



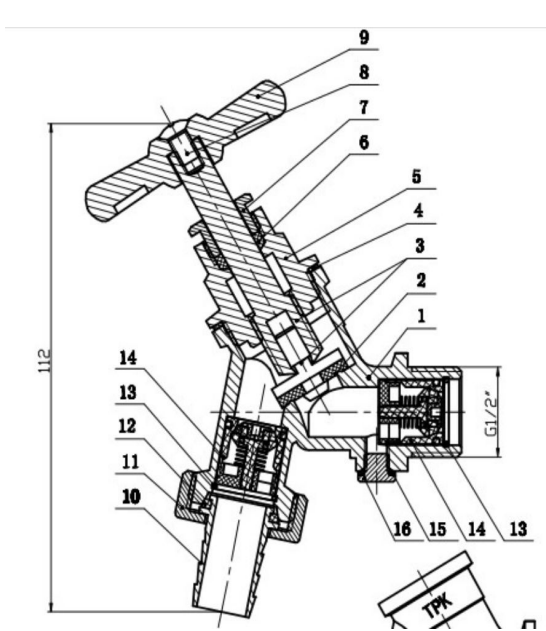
Technical Data

Size range: 1/2" and 3/4" BSP plus 1/2" BSP incorporating a Double Check Valve

Dimensions:



1. Brass Body
2. EPDM Washer
3. Brass Stem & Disc
4. PTFE Washer
5. Brass Bonnet
6. PTFE Packing
7. Brass Nut
8. Screw
9. Brass Handle
10. Brass Nozzle
11. EPDM O Ring
12. Brass Nut



1. Brass Body
2. EPDM Washer
3. Brass Stem & Disc
4. PTFE Washer
5. Brass Bonnet
6. PTFE Packing
7. Brass Nut
8. Screw
9. Brass Handle
10. Brass Nozzle
11. Brass Nut
12. EPDM O Ring
13. Stainless Steel Clip
14. Check Cartridge
15. EPDM O Ring
16. Brass Screw

Maximum Working Pressure

PN10

Materials:

Brass

Working Temperature

From -10°C to +80°C

Codes

28422754 - 1/2" BSP

28422776 - 3/4" BSP

28422765 - 1/2" BSP incorporating Double Check Valve

Other Information

Warrior Brass Hose Union Bibtaps are designed to be fitted using standard tools and are straightforward to install.

A full range of Warrior Plumbing Fittings and Consumables are available from your local BSS branch. These include Compression Fittings, End Feed Fittings, Solder Ring Fittings, Yellow Metal Brassware, TRV's TMV's and AAV's. Warrior Lever Ball Valves are also available in pack quantities only.