

WARRIOR Figure 290S, 290A and 291 Washing Machine Valve

Description

Warrior Washing Machine Valves are WRAS approved and supplied in 15mm x 3/4" Straight, Angled and Straight incorporating a Check Valve. The Compression ends are manufactured to BS EN 1254-2.

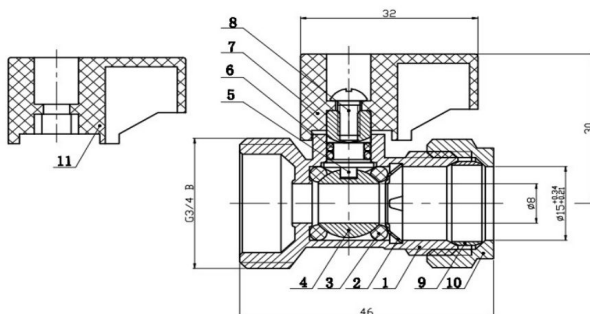
Warrior Washing Machine Valves provide a reliable and straightforward way to isolate the water supply to the machine. Those incorporating the Check Valve prevent the backflow of water in fault conditions. They are engineered to have a smooth action and create a good seal with pipework.



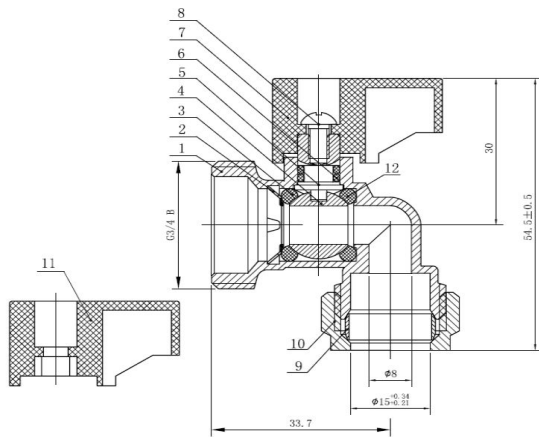
Technical Data

Size range: 15mm x 3/4"

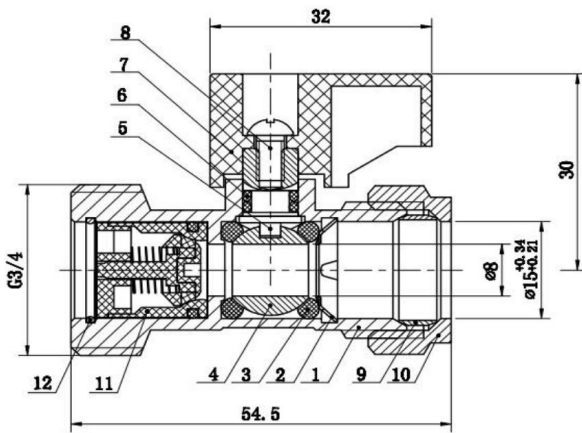
Dimensions:



1. Nickel Plated Brass Body
2. Stainless Steel Clip
3. EPDM O Ring
4. Chrome Plated Brass Ball
5. Brass Stem
6. EPDM O Ring
7. Plastic Handle
8. Screw
9. Copper Olive
10. Nickel Plated Brass Compression Nut
11. Plastic Handle



1. Nickel Plated Brass Body
2. Stainless Steel Clip
3. EPDM O Ring
4. Chrome Plated Brass Ball
5. Brass Stem
6. EPDM O Ring
7. Plastic Handle
8. Screw
9. Copper Olive
10. Nickel Plated Brass Compression Nut
11. Plastic Handle



1. Nickel Plated Brass Body
2. Stainless Steel Clip
3. EPDM O Ring
4. Chrome Plated Brass Ball
5. Brass Stem
6. EPDM O Ring
7. Plastic Handle
8. Screw
9. Copper Olive
10. Nickel Plated Brass Compression Nut
11. Check Cartridge
12. Stainless Steel Clip

Maximum Working Pressure

PN10

Approvals:

WRAS

Materials:

Brass

Working Temperature

From -10°C to +80°C

Codes

28422872 - 15mm x 3/4" Straight

28422883 - 15mm x 3/4" Angled

28422894 - 15mm x 3/4" Straight with Check Valve

Other Information

Warrior Washing Machine Valves are designed to be fitted using standard tools and are straightforward to install.

A full range of Warrior Plumbing Fittings and Consumables are available from your local BSS branch. These include Compression Fittings, End Feed Fittings, Solder Ring Fittings, Yellow Metal Brassware, TRV's TMV's and AAV's. Warrior Lever Ball Valves are also available in pack quantities only.