

WARRIOR Figure 280, 280DZR and 281 Stopcock

Description

Warrior Stopcocks are WRAS approved and supplied from 15mm to 54mm and 25mm MDPE to 22mm Copper. The stopcocks are manufactured in accordance with EN 1213. The Compression ends are manufactured to BS EN 1254-2.

Warrior Stopcocks provide a reliable and straightforward way to regulate flow quickly within a Plumbing system. They are engineered to have a smooth action and create a good seal with pipework.

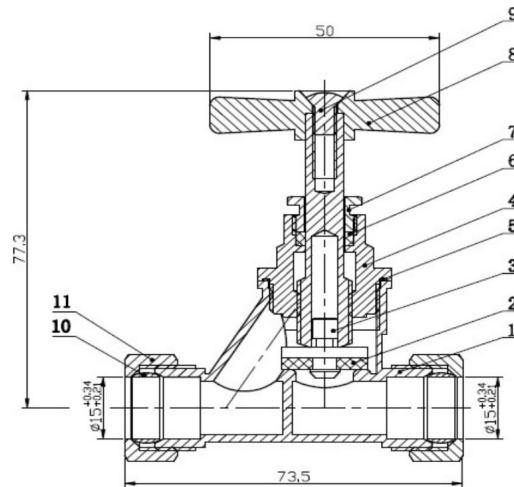


Technical Data

Size range:

15mm to 54mm

Dimensions:



- | | | |
|------------------|------------|---------------------|
| 1. Body | 5. Bonnet | 9. Screw |
| 2. Washer | 6. Packing | 10. Olive |
| 3. Stem + Washer | 7. Nut | 11. Compression Nut |
| 4. Washer | 8. Handle | |

Maximum Working Pressure

PN16

Approvals:

WRAS

Materials:

Brass or DZR

Working Temperature

From -10°C to +80°C

Codes

28422787 15mm Brass
28422798 22mm Brass
28422806 28mm Brass
28422828 28mm DZR
28422839 35mm DZR
28422850 42mm DZR
28422861 54mm DZR
28422817 25mm x 22mm MDPE x Copper Brass

Other Information

Warrior Stopcocks are designed to be fitted using standard tools and are straightforward to install.

A full range of Warrior Plumbing Fittings and Consumables are available from your local BSS branch. These include Compression Fittings, End Feed Fittings, Solder Ring Fittings, Yellow Metal Brassware, TRV's TMV's and AAV's. Warrior Lever Ball Valves are also available in pack quantities only.