

## WARRIOR Figure 201 and 201CP Isolating Valve

### Description

Warrior Isolating Valves are WRAS approved and supplied in 15mm and 22mm. The Compression ends are manufactured to BS EN 1254-2.

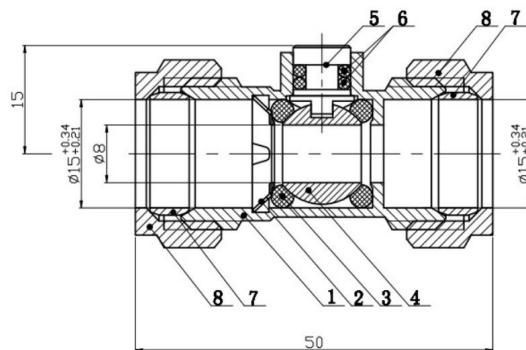
Warrior Isolating Valves provide a reliable and straightforward way to isolate flow quickly within a Plumbing system. They are engineered to have a smooth action and create a good seal with pipework.



### Technical Data

Size range: 15 and 22mm only

Dimensions:



1. Body
2. Clip
3. O Ring
4. Ball
5. Stem
6. O Ring
7. Copper Olive
8. Compression Nut

Maximum Working Pressure PN10  
Approvals: WRAS  
Materials: Nickel Plated Brass  
Working Temperature From -10°C to +80°C

## Codes

15mm Chrome - 28422400

22mm Chrome - 28422411

15mm Brass - 28422422

22mm Brass - 28422433

## Other Information

Warrior Isolating Valves are designed to be fitted using standard tools and are straightforward to install.

A full range of Warrior Plumbing Fittings and Consumables are available from your local BSS branch. These include Compression Fittings, End Feed Fittings, Solder Ring Fittings, Yellow Metal Brassware, TRV's TMV's and AAV's. Warrior Lever Ball Valves are also available in pack quantities only.