

WARRIOR Figure 230 and 240 Pump Valve

Description

Warrior Pump Valves are WRAS approved and supplied in 1.½” x 22mm and 1.½” x 28mm in both Ball and Gate type. The Compression ends are manufactured to BS EN 1254-2.

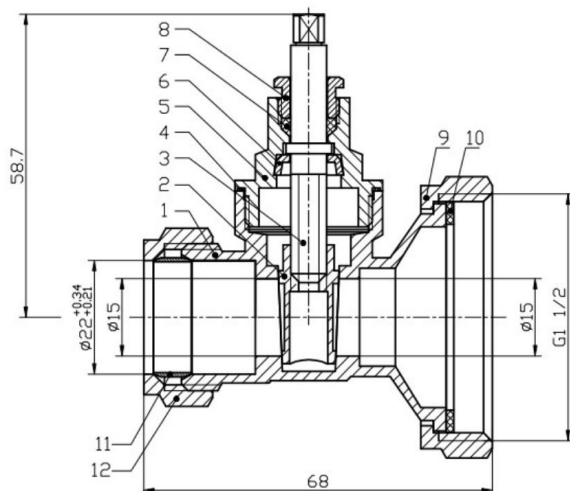
Warrior Pump Valves provide a reliable and straightforward way to isolate a pump quickly within a Heating system. They are engineered to have a smooth action and create a good seal with pipework.



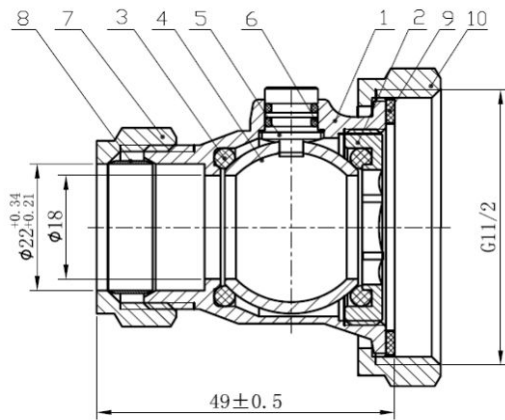
Technical Data

Size range: 22mm x 1.½” and 28mm x 1.½”

Dimensions:



1. Brass Body
2. Brass Wedge
3. Brass Stem
4. PTFE Washer
5. Brass Bonnet
6. Brass Washer
7. PTFE Packing
8. Brass Nut
9. Brass Swivel Nut
10. PTFE Washer
11. Copper Olive
12. Brass Compression Nut



1. Brass Body
2. Brass Bonnet
3. EPDM O Ring
4. Brass Ball
5. Brass Stem
6. EPDM O Ring
7. Brass Compression Nut
8. Copper Olive
9. Fibre Washer
10. Brass Swivel Nut

Maximum Working Pressure	PN16
Approvals:	WRAS
Materials:	Brass
Working Temperature	From -10°C to +80°C

Codes

28422669 1.½" x 22mm Gate Type
 28422680 1.½" x 28mm Gate Type
 28422691 1.½" x 22mm Ball Type
 28422710 1.½" x 28mm Ball Type

Other Information

Warrior Pump Valves are designed to be fitted using standard tools and are straightforward to install.

A full range of Warrior Plumbing Fittings and Consumables are available from your local BSS branch. These include Compression Fittings, End Feed Fittings, Solder Ring Fittings, Yellow Metal Brassware, TRV's TMV's and AAV's. Warrior Lever Ball Valves are also available in pack quantities only.