

WARRIOR Figure 220, 220LS and 220DZR Gate Valve

Description

Warrior Gate Valves are WRAS approved and supplied in 15mm to 54mm. The valves are manufactured in accordance with BS 5154. The Compression ends are manufactured to BS EN 1254-2.

Warrior Gate Valves provide a reliable and straightforward way to isolate flow quickly within a Plumbing system. They are engineered to have a smooth action and create a good seal with pipework.

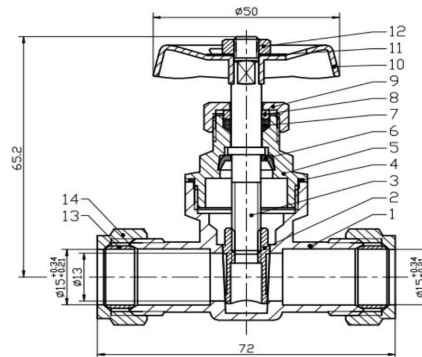


Technical Data

Size range:

15mm to 54mm

Dimensions:



- | | | |
|-----------|---------------|---------------------|
| 1. Body | 6. Washer | 11. Nameplate |
| 2. Wedge | 7. Packing | 12. Nut |
| 3. Stem | 8. Washer | 13. Copper Olive |
| 4. Washer | 9. Nut | 14. Compression Nut |
| 5. Bonnet | 10. Wheelhead | |

Maximum Working Pressure

PN16

Approvals:

WRAS

Materials:

Brass or DZR

Working Temperature

From -10°C to +80°C

Codes

28422636 15mm DZR Wheelhead
28422647 22mm DZR Wheelhead
28422658 28mm DZR Wheelhead
28422540 35mm DZR Wheelhead
28422551 42mm DZR Wheelhead
28422562 54mm DZR Wheelhead
28422573 15mm Brass Wheelhead
28422584 22mm Brass Wheelhead
28422595 28mm Brass Wheelhead
28422603 15mm Brass Lock Shield
28422614 22mm Brass Lock Shield
28422625 28mm Brass Lock Shield

Other Information

Warrior Gate Valves are designed to be fitted using standard tools and are straightforward to install.

A full range of Warrior Plumbing Fittings and Consumables are available from your local BSS branch. These include Compression Fittings, End Feed Fittings, Solder Ring Fittings, Yellow Metal Brassware, TRV's TMV's and AAV's. Warrior Lever Ball Valves are also available in pack quantities only.