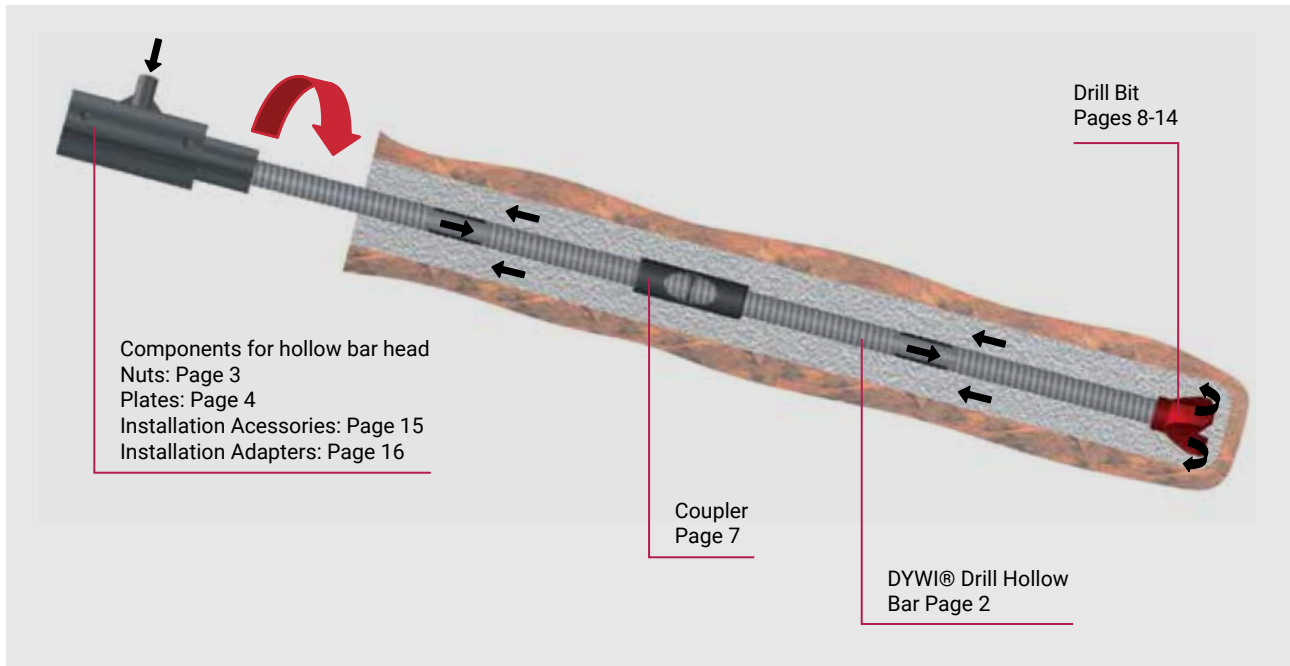


DYWI® Drill Hollow Bar System



QUALITY ASSURANCE

DYWIDAG ensures complete QA traceability for all items in our DYWI® Drill Hollow Bar System

Approvals

- German Approval DIBt Z-14.4-674 and Z-34.13-208
- EN 14490 : European standard for soil nails
- EN ISO1461, ASTM 123, A153 : Hot-dip galvanized
- ASTM A775, A934 : Fusion bonded epoxy coating
- TRL 380, EN14199, CIRIA C637 : Sacrificial allowance
- EN 1537 : Corrosion protection for stressed (active) permanent anchors
- EN 14199 : Injection piles

Technical Notes

- Steel Grade : 40Cr & 37Mn5
- Cross sectional area : based on weighting method
- Internal Ø : based on nominal values
- Ratio $R_m / R_p 0.2 : \geq 1.15$ $R_m =$ Ultimate load
 $R_p =$ yield load
- Strain at Ultimate Load (Agt) : $\geq 4\%$ elongation at ultimate load
- Left hand thread
 - R32 / R38 to ISO 10208
 - R51 to ISO 1720
 - R63 and T76 to Internal Standard

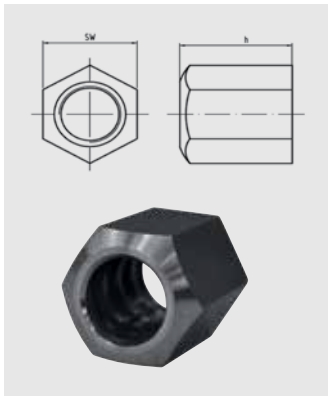
General

- Corrosion Protection : Sacrificial Corrosion Allowance
- Bar finishes : Plain, galvanized or epoxy-coated
- Stock lengths : R32 / R38 / R51 / T76 - 3.00m or 4.00m



Reference	Section A [mm ²]	Yield strength	Ultimate strength	Weight [kg/m]
		F _{yk} [kN]	F _{tk} [kN]	
R25-200	240	150	200	1.90
R32-210	290	160	210	2.35
R32-250	310	190	250	2.50
R32-280	350	230	280	2.70
R32-320	380	250	320	3.00
R32-360	430	280	360	3.40
R32-405	480	300	405	3.80
R38-430	520	320	430	4.10
R38-500	590	400	500	4.70
R38-550	660	450	550	5.20
R51-550	740	450	550	5.90
R51-660	820	540	660	6.50
R51-800	940	630	800	7.40
R51-950	1120	770	950	8.80
R63-1160	1360	930	1160	10.70
T30-320	400	260	320	3.10
T40-540	660	425	540	5.20
T40-660	770	525	660	6.00
T52-929	1150	730	929	9.00
T76-1300	1650	1000	1300	12.90
T76-1650	2080	1200	1650	16.30
T76-1900	2460	1500	1900	19.30
T103-2300	3200	2300	1800	25.00
T103-3700	5200	3700	2670	40.00

Nut



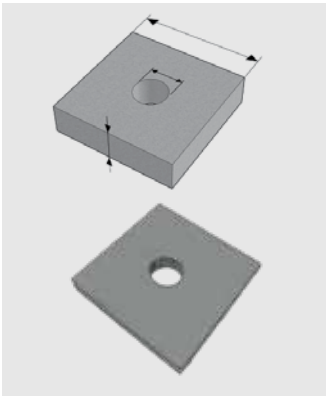
Bar Ø	Reference	SW	h	Weight
[mm]		[mm]	[mm]	[kg]
R25-200	25 HR 2001	41	41	0.29
R32-210	32 HR 2001	46	45	0.35
R32-250	32 HR 2001	46	45	0.35
R32-280	32 HR 2001	46	45	0.35
R32-360	32HR2001S	46	65	0.55
R32-405	32HR2001S	46	65	0.55
R38-430	38 HR 2001	50	60	0.50
R38-500	38 HR 2001	50	60	0.50
R38-550	38 HR 2001N	50	80	0.63
R51-550	51 HR 2001	75	70	1.60
R51-660	51 HR 2001	75	70	1.60
R51-800	51 HR 2001N	75	90	2.00
R51-925	N-R51-075	75	130	2.80
T30-320	301010	46	41	0.35
T40-540	401010	60	68	0.90
T40-660	401010	60	68	0.90
T52-929	501010	75	70	1.50
T76-1300	76 HT 2001	100	80	2.60
T76-1650	76 HT 2001	100	80	2.60
T76-1900	76 HT 2001	100	80	2.60
T103-2300	103N1010	125	90	3.78
T103-3700	103S1010	125	130	5.45

Domed Nut



Bar Ø	Reference	SW	h	Ø	Weight
[mm]		[mm]	[mm]	[mm]	[kg]
R25-200	25 HR 2044 G	41	41	50	0.29
R32-210	32 HR 2044 G	46	46	60	0.45
R32-250	32 HR 2044 G	46	46	60	0.45
R32-280	32 HR 2044 G	46	46	60	0.45
R38-430	38 HR 2044 G	55	65	70	0.82
R38-500	38 HR 2044 G	55	65	70	0.82
R38-550	38 HR 2044 G	55	65	70	0.82
R51-550	51 HR 2044 G	75	70	90	1.85
R51-660	51 HR 2044 G	75	70	90	1.85
R51-800	511011100	75	100	90	2.20
R51-950	511011100	75	100	90	2.20
R63-1160	631011	90	103	122	3.90
T30-320	301011	46	41	56	0.38
T40-540	401011	60	68	74	1.01
T40-660	401011	60	68	74	1.01
T52-929	501011	75	70	90	1.68
T76-1300	76 HT 2044 G	100	85	120	2.90
T76-1650	76 HT 2044 G	100	85	120	2.90
T76-1900	76 HT 2044 G	100	85	120	2.90
T103-2300	103N1011	125	90	150	4.13
T103-3700	103S1011	125	130	150	5.90

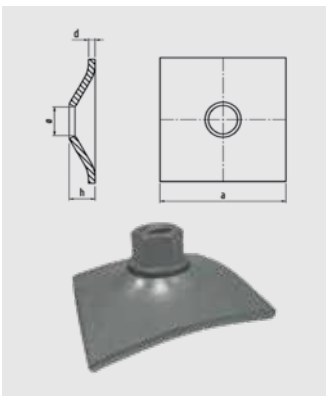
Anchor Plate



Bar Ø [mm]	Reference	L [mm]	E [mm]	D [mm]		Weight [kg]
				Droit	Sphérique	
R32	PL 150²x8	150	8	34	46	1.3
R32	PL 200²x10	200	10	34	46	3.0
R38	PL 200²x10	200	10	41	58	3.0
R32	PL 200²x20	200	20	34	46	6.0
R38	PL 200²x20	200	20	41	58	6.0
R51	PL 200²x20	200	20	58	70	6.0
R51	PL 220²x30	220	30	58	70	8.9
R51	PL 250²x30	250	30	58	70	13.5
T76	PL 250²x30	250	30	87	107	13.5
T76	PL 300²x40	300	40	87	107	26.5

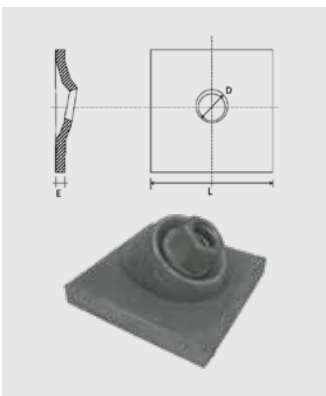
Material: S235 or S355

Domed Plate



Barre	Reference	a	d	Ø	h	Weight [kg]
		[mm]	[mm]	[mm]	[mm]	
R25-200	25 HR 1001	150	8	27	31	1.36
R32-210	32 HR 1001	150	8	34	31	1.2
R32-250	32 HR 1001	150	8	34	31	1.2s
R32-280	32 HR 1002	200	10	34	31	3.0
R32-320	32 HR 1003	200	12	34	31	3.60
R32-360	32 HR 1003	200	12	34	31	3.60
R32-400	32 HR 1003	200	12	34	31	3.60
R38-430	38 HR 1001	200	10	40	29	3.03
R38-500	38 HR 1002	200	12	40	31	3.67
R38-550	38 HR 1002	200	12	40	31	3.67
R51-550	51 HR 1001	200	15	52	31	3.60
R51-660	51 HR 1001	200	15	52	31	3.60
R51-800	51 HR 1002	200	20	55	31	6.4

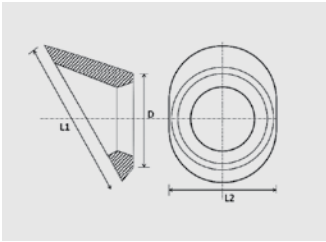
Slotted Plate



Bar Ø [mm]	Reference	L [mm]	E [mm]	D [mm]	Weight [kg]
R38	PB200/15 R38 Volcano	200	15	55	4.8
R51	PB200/15 R51 Volcano	200	15	70	4.8

Material : S275JR Steel

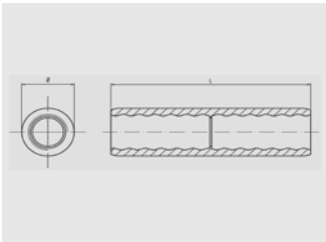
Biased wedge



Bar Ø	Reference	L1	L2	D	Weight
[mm]		[mm]	[mm]	[mm]	[kg]
R32	WB-R32-R38	120	84	80	0.94
R38	WB-R32-R38	120	84	80	0.94

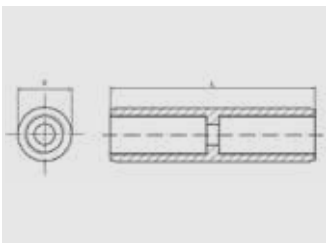
Material : GJS500-7 Cast Iron

Coupler(Machined)



Bar Ø	Reference	Length	Ø	Weight
[mm]		[mm]	[mm]	[kg]
R25	25 HR 3003	150	36	0.70
R32	32 HR 3003	160	42	0.80
R38	38 HR 3003	180	51	1.40
R51	51 HR 3003	200	63	2.00
R51-925	51 HR 3010	260	63	2.43
R63	633010	220	80	3.40
T30	303010	105	42	0.60
T40	403010	160	57	1.70
T52	523010	180	68	2.20
T76	76 HT 3003	220	97	4.80
T103-2300	103N3010	220	121	6.60
T103-3700	103S3010	260	133	12.00

Coupler (Cast Steel)



Bar Ø	Reference	Length	Ø	Weight
[mm]		[mm]	[mm]	[kg]
R25	25 HR 3300	150	36	0.70
R32	32 HR 3300	160	42	0.85
R38	38 HR 3300	180	51	1.40
R51	51 HR 3300	200	63	2.20
T76	76 HT 3300	220	100	5.60

Coupling with Double Seal



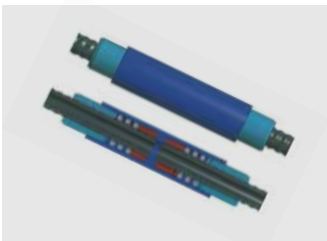
Bar Ø	Reference	Weight
[mm]		[kg]
R25	25HR3003DS	0.70
R32	32HR3003DS	0.80
R38	38HR3003DS	1.40
R51	51HR3003DS	2.00
T30	303010DS	0.60
T40	403010DS	1.70
T52	523010DS	2.20
T76	76 HT 3003DS	4.80
T103-2300	103N3010DS	6.60
T103-3700	103S3010DS	12.00

Post-injection coupling



Bar Ø	Reference	Weight
[mm]		[kg]
R32	PIC-R32x175	2.50
R38	PIC-R38x195	2.40
R51	PIC-R51x215	2.60

Locked coupler



Bar Ø	Reference	Weight
[mm]		[kg]
R32	LC-2-R32x290	3.00
R38	Sur demande	-
R51	Sur demande	-

Bayonet connector



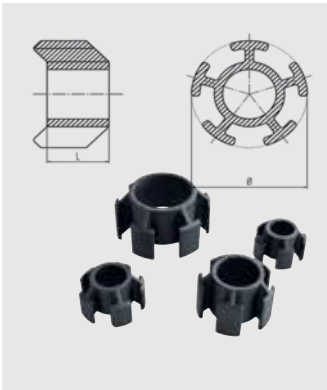
Bar Ø	Reference	Weight
[mm]		[kg]
R38	AD-R38-BAJ	2.90
R51	AD-R51-BAJ	3.80

Cast iron spacer



Bar Ø	Reference	Weight
[mm]		[kg]
R38	C-R38-BAJ	1.60
R51	C-R51-BAJ	2.40

Plastic spacer



Bar Ø	Reference	Length	Ø	Weight
[mm]		[mm]	[mm]	[kg]
R32	32 HR 5083	40	73	0.48
R38	38 HR 5083	45	84	0.65
R51	51 HR 5083	60	95	1.10
R63	6351151	50	115	1.30
T30	3050731	40	73	0.48
T40	4050841	45	84	0.63
T52	5250951	60	95	1.10
T76	76 HT 5083	60	136	1.80
T103	10351651	60	165	2.30

Drill bit adapters



Bar Ø	Reference	Type	Length	Drill bit Ø	Weight
[mm]			[mm]	[mm]	[kg]
R32	32 HR 5001	R32F-R38M	50	R38	0.13
R32	32 HR 5002	R32F-R51M	50	R51	0.47
R38	38 HR 5001	R38F-R51M	50	R51	0.34
R38	38 HR 5002	R38F-T76M	80	T76	2.00
R51	51 HR 5001	R51F-T76M	100	T76	1.45
T76	10376DA	T76F-T103M	100	T103	2.40

Application range

Ground Properties			Drill Bit Type ¹⁾								
Designation	Description	Examples	Two-Stage R-Flush and RS-Flush	Arc-Shaped Button, Hardened	Arc-Shaped Button, Carbide Inserts	Arc-Shaped, Hardened	Arc-Shaped, Carbide Inserts	Cross, Hardened	Cross, Carbide Inserts	Button, Hardened	Button, Carbide Inserts
											
Alluvium	Humus and organic layers Peat and sludge Gravel, sand, silt and clay mixtures	c	X	(X)		(X)		X			
Sands	Non-cohesive and cohesive sand, gravel, and mixtures with small clay contents	Easily removable soil Mixed fills	X	(X)	(X)	X		X			
Cohesive soils	Mixtures of sand, gravel, silt and clay	Average removable soil Mixed fills	(X)	X	X	X	(X)	X	(X)		
Gravel	Soils with a higher gravel content of larger sizes	Difficult removable soil Riverbeds		(X)	X	(X)	X	(X)	X	X	X
Soft rock	Jointed, brittle, weathered Conglomerate	Average removable rock Limestone, schist			X	(X)	(X)	X	X	X	X
Hard rock	Higher abrasiveness and/or compressive strength, less fractured	Difficult removable rock Volcanic rock, hard sandstone, concrete					(X)		(X)	(X)	X

X = standard applications
(X) = possible combinations

Hardened Button Bit



Reference	Bar Ø	Drilling Ø	Weight
	[mm]	[mm]	[kg]
2540423	R25	42	0.30
2540513	R25	51	0.50
32 HR 8201	R32	51	0.40
32 HR 8202	R32	76	0.71
384043	R38	64	0.68
38 HR 8201	R38	76	0.85
38 HR 8202	R38	90	1.20
38 HR 8203	R38	100	1.55
38 HR 8204	R38	115	2.00
51 HR 8201	R51	76	1.16
51 HR 8203	R51	100	1.65
51 HR 8204	R51	115	2.00
51 HT 8205	R51	130	3.25
3040513	T30	51	0.55
3040763	T30	76	1.26
4040763	T40	76	0.80
4041003	T40	100	1.55
4041153	T40	115	2.00
5240763	T52	76	1.16
5241003	T52	100	1.65
5241153	T52	115	2.00
5241303	T52	130	3.25
76 HT 8201	T76	120	3.60
76 HT 8202	T76	130	4.34
76 HT 8203	T76	150	7.40
10341503	T103	150	10.00
10341753	T103	175	11.20
10342003	T103	200	13.50

Button bit with carbide insert



Reference	Bar Ø	Drilling Ø	Weight
	[mm]	[mm]	[kg]
2540424	R25	42	0.33
2540514	R25	51	0.45
32 HR 8211	R32	51	0.50
32 HR 8212	R32	76	1.30
340904	R32	90	2.30
38 HR 8211	R38	76	1.40
38 HR 8212	R38	90	1.76
38 HR 8213	R38	100	2.60
38 HR 8214	R38	115	3.20
51 HR 8211	R51	76	1.00
51 HR 8213	R51	100	2.50
51 HR 8214	R51	115	3.30
6340904	R63	90	2.70
6341154	R63	115	4.00
6341504	R63	150	6.50
3040514	T30	51	0.55
3040764	T30	76	1.26
4040764	T40	76	0.80
4041004	T40	100	1.55
4041154	T40	115	2.00
5240764	T52	76	1.00
5241004	T52	100	2.50
5241154	T52	115	3.30
7641204	T76	120	3.00
76 HT 8212	T76	130	4.50
76 HT 8213	T76	150	7.40
10341504	T103	150	7.00
10341754	T103	175	11.00

Hardened Cross Bit



Reference	Bar Ø	Drilling Ø	Weight
	[mm]	[mm]	[kg]
2540421	R25	42	0.27
2540511	R25	51	0.35
32 HR 8101	R32	51	0.28
32 HR 8102	R32	76	0.57
3840641	R38	64	0.65
38 HR 8101	R38	76	0.65
38 HR 8102	R38	90	1.50
3841001	R38	100	1.80
38 HR 8103	R38	115	2.10
3841301	R38	130	2.90
5140761	R51	76	1.00
5140901	R51	90	1.75
51 HR 8103	R51	100	1.92
51 HR 8104	R51	115	2.95
5141301	R51	130	3.40
5141501	R51	150	4.20
3040511	T30	51	0.38
3040761	T30	76	1.00
4040761	T40	76	1.10
4040901	T40	90	1.50
4041001	T40	100	1.72
4041151	T40	115	2.70
5140761	T52	76	1.00
5140901	T52	90	1.75
5241001	T52	100	1.92
5241151	T52	115	2.95
5241301	R51	130	3.40
7641151	T76	115	3.50
76 HT 8102	T76	130	4.20
76 HT 8103	T76	150	6.50
7641751	T76	175	7.80
76 HT 8104	T76	200	12.50
10341501	T103	150	7.50
10341751	T103	175	8.20
10342001	T103	200	12.00

Cross bit with carbide insert



Reference	Bar Ø	Drilling Ø	Weight
	[mm]	[mm]	[kg]
2540422	R25	42	0.29
2540512	R25	51	0.40
32 HR 8111	R32	51	0.42
32 HR 8112	R32	76	1.20
38 HR 8111	R38	76	1.30
38 HR 8112	R38	90	1.45
38 HR 8113	R38	115	2.65
3841302	R38	130	3.00
5140762	R51	76	1.60
5140902	R51	90	1.80
51 HR 8113	R51	100	2.50
51 HR 8114	R51	115	2.70
5141302	R51	130	3.40
6340902	R63	90	2.00
6341152	R63	115	3.70
6341502	R63	150	6.20
3040512	T30	51	0.42
3040762	T30	76	1.20
4040762	T40	76	1.30
4040902	T40	90	1.45
4041152	T40	115	2.65
4041302	T40	130	3.00
5140762	T52	76	1.60
5140902	T52	90	1.80
5241002	T52	100	2.50
5241152	T52	115	2.70
5241302	T52	130	3.40
7641151	T76	115	3.56
76 HT 8112	T76	130	4.80
7641502	T76	150	6.50
7641752	T76	175	7.50
7642002	T76	200	13.00
10341502	T103	150	8.00
10341752	T103	175	10.70
10342002	T103	200	13.00

Arc-Shaped Hardened Bit



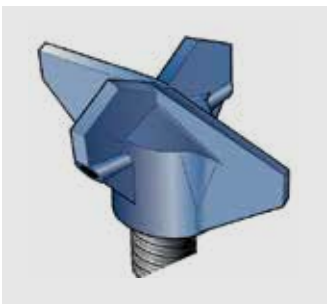
Reference	Bar Ø	Drilling Ø	Weight
	[mm]	[mm]	[kg]
32 HR 8301	R32	51	0.36
32 HR 8302	R32	76	0.90
38 HR 8301	R38	76	1.00

Arc-Shaped Bit with Carbide Inserts



Reference	Drilling Ø		Weight
	[mm]	[kg]	
32 HR 8311	51	0.42	
32 HR 8312	76	0.80	
3840766	76	1.00	

Two Stage Retro Flush Bit - Dywidag Series 1.CRC1



Reference	Bar Ø	Drilling Ø	Weight
	[mm]	[mm]	[kg]
32 HR 8601	R32(324076C1)	76	0.55
324090C1	R32(324090C1)	90	1.01
32 HR 8602	R32(324100C1)	100	1.16
32 HR 8603	R32(324110C1)	110	1.38
32 HR 8604	R32(324130C1)	130	1.43
384076C1	R38(384076C1)	76	0.60
384090C1	R38(384090C1)	90	1.00
384100C1	R38(384110C1)	110	1.30
384115C1	R38(384115C1)	115	1.35
38 HR 8604	R38(384130C1)	130	1.40
38 HR 8605	R38(384150C1)	150	2.10
514090C1	R51(514090C1)	90	1.29
514100C1	R51(514100C1)	100	1.35
51 HR 8603	R51(514150C1)	150	2.80
51 HR 8604	R51(514175C1)	175	2.90
514200C1	R51(514200C1)	200	4.00
764115C1	T76(764115C1)	115	3.00
764130C1	T76(764130C1)	130	3.37
76 HT 8503	T76(764150C1)	150	3.70
76 HT 8504	T76(764175C1)	175	4.10
76 HT 8505	T76(764200C1)	200	4.70
76 HT 8506	T76(764300C1)	300	8.50

Two Stage Retro Flush Bit - Dywidag Series 2.CRC2



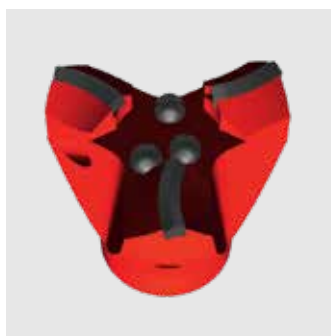
Reference	Bar Ø	Drilling Ø	Weight
	[mm]	[mm]	[kg]
32 HR 8601	R32(324076C2)	76	0.62
32 HR 8603	R32(324110C2)	110	1.30
32 HR 8604	R32(324130C2)	130	1.45
384076C2	R38(384076C2)	76	0.80
38 HR 8602	R38(384100C2)	100	1.25
384110C2	R38(384110C2)	110	1.30
38 HR 8604	R38(384130C2)	130	1.70
38 HR 8605	R38(324150C2)	150	2.50
514110C2	R51(514110C2)	110	1.51
514130C2	R51(514130C2)	130	2.10
514150C2	R51(514150C2)	150	3.10

Arc-Shaped Button Hardened Bit



Reference	Bar Ø	Drilling Ø	Weight
	[mm]	[mm]	[kg]
32 HR 8401	R32	76	0.90
32 HR 8402	R32	90	1.30
38 HR 8401	R38	76	0.92
38 HR 8402	R38	90	1.45
38 HR 8403	R38	115	1.82
51 HR 8401	R51	76	0.94
51 HR 8402	R51	90	1.50
51 HR 8403	R51	115	2.00
51 HR 8404	R51	130	3.30
7641157	T76	115	3.50
76 HT 8402	T76	130	4.00
76 HT 8403	T76	150	4.90

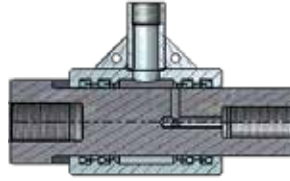
Arc-Shaped Button with Carbide Inserts Bit



Reference	Bar Ø	Drilling Ø	Weight
	[mm]	[mm]	[kg]
32 HR 8411	R32	76	0.86
32 HR 8412	R32	90	1.02
38 HR 8411	R38	76	0.92
38 HR 8412	R38	90	1.48
38 HR 8413	R38	115	1.90
51 HR 8411	R51	76	1.20
51 HR 8412	R51	90	1.50
51 HR 8413	R51	115	1.95
5141308	R51	130	3.50
7641158	T76	115	3.60
76 HT 8412	T76	130	3.80
76 HT 8413	T76	150	5.00

Injection system

1 turntable shaft
+1 injection tank
+4 connectors



Flushing Shaft



Ø Dia	Reference	Weight	Head	Axis	Length
		[kg]	Threading	[mm]	[mm]
R32	R01 AXE R32/R32	6.68	R32	65	285
R32	R01 AXE R38/R32	7.93	R38	70	290
R32	R01 AXE T38/R32	7.93	T38	70	290
R32	R01 AXE T45/R32	10.92	T45	80	300
R32	R01 AXE H55G/R32	13.81	H55G	85	335
R38	R01 AXE R32/R38	7.93	R32	70	290
R38	R01 AXE R38/R38	7.70	R38	70	290
R38	R01 AXE T38/R38	7.70	R38	70	290
R38	R01 AXE T45/R38	10.23	T45	80	300
R38	R01 AXE H55G/R38	13.38	H55G	85	335
R51	R01 AXE T45/R51	13.00	T45	85	335
R51	R01 AXE H55G/R51	12.88	H55G	85	335
T76	R01 AXE H55G/T76	18.13	H55G	110	340
T76	R01 AXE H64/T76	18.00	H64	110	335

Grout Bottle



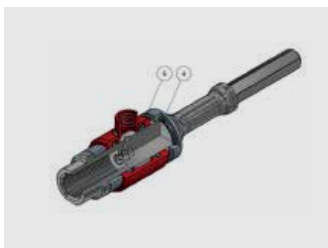
Reference	Axis	Weight
	[mm]	[kg]
Grout Bottle 65	65	6.13
Grout Bottle 70	70	6.12
Grout Bottle 80	80	6.78
Grout Bottle 85	85	8.04
Grout Bottle 110	110	10.58

Seal Kits



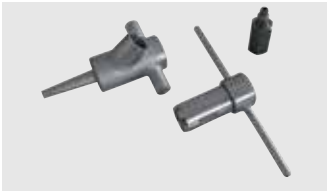
Reference	Axis	Weight
	[mm]	[kg]
Seal Kits 65/85	65	0.02
Seal Kits 70/90	70	0.03
Seal Kits 80/100	80	0.03
Seal Kits 85/105	85	0.03
Seal Kits 110/130	110	0.06

Lightweight adapter rotation and injection



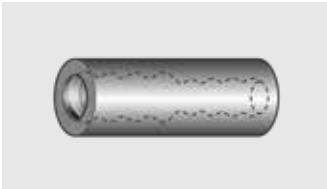
Bar Ø	Reference	Weight
		[kg]
R32	SK45-R32F-HEX22Mx108	3.0

Injection Adapter



Name	Reference
IA-R32-15/22	32 HR 6840
IA-R51-30/45	51 HR 6841

Adapter Coupler



Bar Ø	Adapter	Reference	Length	Weight
[mm]	Thread A-Thread B	[mm]	[mm]	[kg]
R32	R32-R32	32 HR 5801	200	1.50
R32	R32-R38	32 HR 5803	200	2.50
R32	R32-T38	32 HR 5804	-	3.00
R32	R32-T45	32 HR 5805	-	7.00
R38	R38-R38	38 HR 5801	200	2.30
R38	R38-T38	38 HR 5804	-	3.00
R38	R38-T45	38 HR 5805	-	5.00
R51	R51-T38	51 HR 5804	-	8.00
R51	R51-R38	51 HR 5807	230	5.10
R51	R51-T45	51 HR 58**	230	4.70

Box/Pin Adaptator (hollow)



Bar Ø	Adapter	Weight
[mm]	Female-Male	[kg]
R51	R51-R38M	5.50
R51	R51-T45M	5.00

Pin/Pin Adaptator (solid)



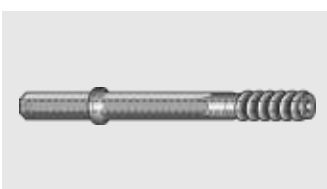
Thread	Reference	Weight	Length
[mm]		[kg]	[mm]
R32/R32	R00 101832	1.35	260
R38/R38	R00 101838	2.05	280

Expansion Shell



Bar Ø	Reference	Diameter	Length	Weight
[mm]	[mm]	[mm]	[mm]	[kg]
R32	32 HR 2136	48	170	1.5
R38	38 HR 2136	68	186	3.0
R51	51 HR 2136	78	230	6.0

Air Flush Shank



Bar Ø	Reference	Length	Weight
[mm]		[mm]	[kg]
R32	R32M-HEXx108	255	1.50
R32	R32F-HEX22x108	220	2.10
R32	R32F-HEX25x108	255	2.40

DYWIDAG grout mixing pumps have been developed for extremely challenging underground conditions.

- The proven and delivery technology is suitable for:
 - Injection and grouting works
 - Re-injection
 - Drill hole filling
 - Backfilling

Main Advantages

- Tough design and easy handling
- Low empty weight
- Simple operation and maintenance due to modular design
- Low start-up and cleaning times
- High delivery rate at continuous pressure
- Variable discharge
- All-purpose equipment
- Highest process security
- Sustainable due to stainless steel components, galvanized frame, and wear resistance plastic components
- Comfortable cleaning
- Automatic reverse drive

Specifications



Characteristic	Unit	DSI MAI®	DSI MAI®	DSI MAI®
Value / Type		400 EASY PLUS	400 NT	440 GE
Nominal power	[kW]		4.0	6.2
	[hp]		5.4	8.3
Gear motor	[rpm]		290	200
Delivery rate	[L/min]		16	6 - 35
	[gal/min]		4.2	1.6 - 9.2
Operation pressure	[bar]		33	40
	[psi]		480	580
Length	[mm]		1,520	1,730
	[in]		60	69
Width	[mm]		580	570
	[in]		23	22
Height	[mm]		900	960
	[in]		35	38
Filling height	[mm]		1,050	960
	[in]		41	38
Total weight	[kg]		136	213
	[lb]		300	470



Get in touch

Europe
DYWIDAG Systems Int. GmbH
 Neuhofweg 5
 Unterschleissheim 85716
 +49-89-30 90 50-100
 info@dywidag.com

Americas
DYWIDAG Systems Int. USA Inc.
 320 Marmon Drive
 Bolingbrook IL 60440
 +1-630-739 1100
 sales.us@dywidag.com

Australia
DYWIDAG Systems Int. Pty. Ltd.
 24 Groves Road
 Bennetts Green, NSW 2290
 +61 (2) 4081 5500
 sales.au@dywidag.com

Middle East
DYWIDAG-Systems Int.
 Saudi Arabia LLC
 Salah Ad Din Al Ayyubi Rd, Ad Dubbat
 Riyadh 12623, KSA
 +966-11-4553123
 sales.sa@dywidag.com

Asia Regional HQ
DYWIDAG Asia Co. Ltd.
 2F-1 No. 15, Lane 48
 Xing Shan Road, Taipei 114,
 Taiwan, R.O.C.
 +886 2 2748 1076
 sales.tw@dywidag.com

DYWIDAG Trading (Shanghai) Co., Ltd.
 Room 704, Tower A Far East International Plaza -
 319 Xian Xia Road, Chang Ning District, Shanghai
 200051, R.P. China
 +86 21 6235 0186
 sales.cn@dywidag.com

DYWIDAG Systems Int. Far East Ltd.
 Room 2103, 21/F, Office Plus @Wan Chai, No 303
 Hennessy Road, Wanchai, Hong Kong
 +852 2833 1913
 sales.hk@dywidag.com

Korea
DYWIDAG Systems Korea Co. Ltd.
 5th Floor, Spring Morning B/D
 8, Mabang-ro, Seocho-gu
 Yangjae 2(i) dong Seoul 06778
 +82-2-34 72 01-41
 sales.kr@dywidag.com

India
DYWIDAG-Bridgecon India Pvt. Ltd.
 265, Okhla Industrial Estate
 Phase III, New Delhi-110020, India
 +91-11-41052207
 sales.in@dywidag.com