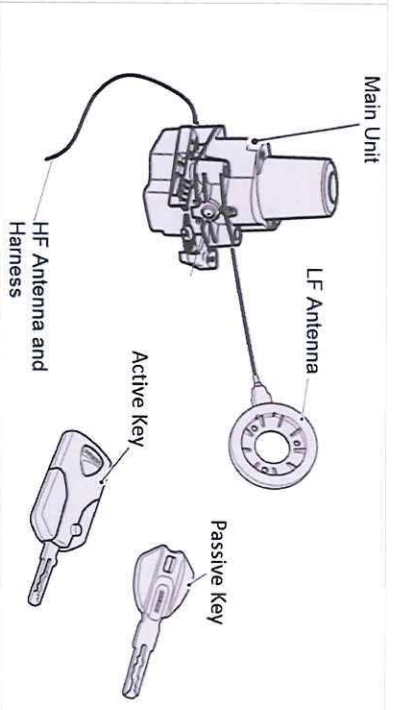


**ZADI**

## EU DECLARATION OF CONFORMITY

(1) Radio equipment (product, type, batch or serial number):	Race On System for DUCATTI Motor Holding ZADI model: RRS System ZADI IDs: XCB0275-1, SML0395
(2) Name and address of the manufacturer:	ZADI S.p.A. Via Carlo Marx 138, I-41012 Carpi (MO), Italy

**(3) This declaration of conformity is issued under the sole responsibility of the manufacturer.**

(4) Object of the declaration (identification of the radio equipment allowing traceability; it may include a colour image of sufficient clarity where necessary for the identification of the radio equipment):	
---	--

**(5) The object of the declaration described above is in conformity with the relevant Union harmonisation legislation:**

### Directive 2014/53/EU

(6) References to the relevant harmonised standards used or references to the other technical specifications in relation to which conformity is declared. References must be listed with their identification number and version and, where applicable, date of issue:

Safety testing according to:

- EN 60950-1:2006 + A11:2009 + A12:2011 + A1:2010 + A2:2013 - Information technology equipment - Safety - Part 1: General requirements;
- EN 62311:2008 Assessment of electronic and electrical equipment related to human exposure restrictions for electromagnetic fields (0 Hz - 300 GHz).

EMC testing according to:

- ETSI EN 301 489-1 V2.2.0 (2017-03) On Approval Electromagnetic Compatibility (EMC) standard for radio equipment and services; Part 1: Common technical requirements; Harmonised Standard covering the essential requirements of article 3.1(b) of Directive 2014/53/EU and the essential requirements of article 6 of Directive 2014/30/EU;

**SISTEMI DI SICUREZZA  
SECURITY SYSTEMS**  
Locking systems  
Switching systems  
Lighting systems  
Monitoring systems

**ZADI spa,**  
Via C. Marx, 138  
41012 Carpi (MO) Italy  
Email: [info@zadi.com](mailto:info@zadi.com)  
Web: [www.zadi.com](http://www.zadi.com)

Tel. Operator +39 059 6323111  
Tel. Customer Service +39 059 6323200  
Tel. Supplier Service +39 059 6323299  
Fax: +39 059 6323298

Cap. soc. Euro 500,000  
C.F. e P.IVA IT 00172960362  
R.E.A. Modena 101803  
Export MO 014678 - ISO 9001:2000



Società a socio unico HBA srl



**ZADI**

- ETSI EN 301 489-3 V2.1.1 (2017-03) On Approval Electromagnetic Compatibility (EMC) standard for radio equipment and services; Part 3: Specific conditions for Short-Range Devices (SRD) operating on frequencies between 9 kHz and 246 GHz.

Radio Testing according to:

- ETSI EN 300 220-2 V3.1.1 (2017-02) Short Range Devices (SRD) operating in the frequency range 25 MHz to 1 000 MHz; Part 2: Harmonised Standard covering the essential requirements of article 3.2 of Directive 2014/53/EU for non specific radio equipment;
- ETSI EN 300 330 V2.1.1 (2017-02) Short Range Devices (SRD); Radio equipment in the frequency range 9 kHz to 25 MHz and inductive loop systems in the frequency range 9 kHz to 30 MHz.

Carpi (MO), Italy 29/06/2017

**CE**

Romato Bruno CEO

**SISTEMI DI SICUREZZA  
SECURITY SYSTEMS**  
Locking systems  
Switching systems  
Lighting systems  
Monitoring systems

**ZADI spa,**  
Via C. Marx, 138  
41012 Carpi (MO) Italy  
Email: [info@zadi.com](mailto:info@zadi.com)  
Web: [www.zadi.com](http://www.zadi.com)

Tel. Operator +39 059 6323111  
Tel. Customer Service +39 059 6323200  
Tel. Supplier Service +39 059 6323299  
Fax: +39 059 6323298

Cap. soc. Euro 500,000  
C.F. e P.IVA IT 00172950362  
R.E.A. Modena 101803  
Export MO 014678 - ISO 9001:2000



Società a socio unico HB4 srl