

Display CARFAX in online listings:



Vehicle History Report™

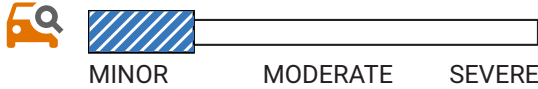
US \$44.99

1991 CHEVROLET CORVETTE

VIN: 1G1YY2385M5112657
COUPE
5.7L V8 F OHV
GASOLINE
REAR WHEEL DRIVE

This CARFAX Report Provided by:
Broad Arrow Group

Accident reported: minor damage



8 Service history records

At least 1 open recall

35 Detailed records available

53,009 Last reported odometer reading



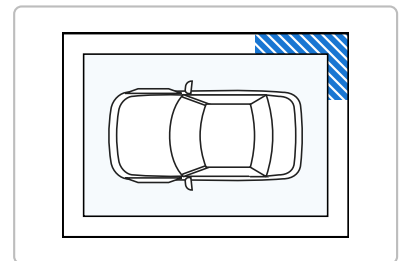
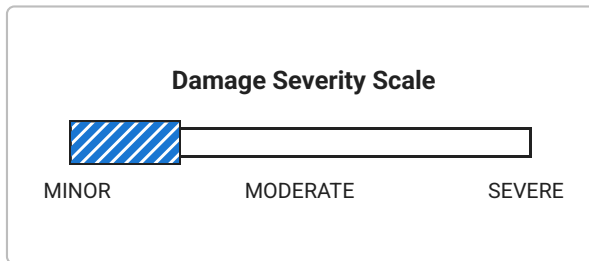
This CARFAX Vehicle History Report is based only on information supplied to CARFAX and available as of 11/28/25 at 11:03:00 AM (CST). Other information about this vehicle, including problems, may not have been reported to CARFAX. Use this report as one important tool, along with a vehicle inspection and test drive, to make a better decision about your next used car.

CARFAX Accident / Damage History

Not all accidents / issues are reported to CARFAX

Event 1

10/13/2015
Accident reported: minor damage
- Airbags did not deploy

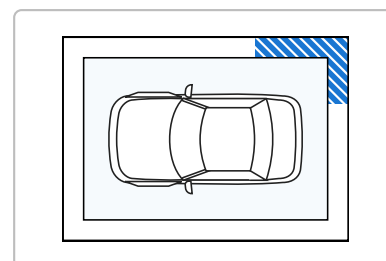
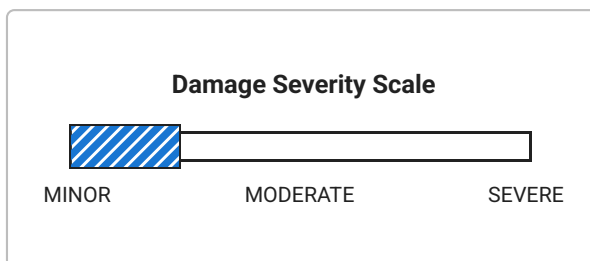


Event 2

10/13/2021

**Accident reported:
minor damage with
another motor vehicle**

- Vehicle towed
- Airbags did not deploy



Additional History

Not all accidents / issues are reported to CARFAX

Summary

Total Loss

No total loss reported to CARFAX.

✓ No Issues Reported

Structural Damage

CARFAX recommends that you have this vehicle inspected by a collision repair specialist.

✓ No Issues Reported

Airbag Deployment

No airbag deployment reported to CARFAX.

✓ No Issues Reported

Odometer Check

No indication of an odometer rollback.

✓ No Issues Indicated

Accident / Damage

Accidents reported: 10/13/2015 and 10/13/2021.

Minor Damage

Manufacturer Recall

At least 1 manufacturer recall requires service. Check for open recalls or schedule dealer service on GM vehicles at recalls.gm.com.

Recall Reported

Basic Warranty

Original warranty estimated to have expired.

Warranty Expired



Title History

Summary

Damage Brands

Salvage | Junk | Rebuilt | Fire | Flood | Hail | Lemon

No Problem

Odometer Brands

Not Actual Mileage | Exceeds Mechanical Limits

No Problem

**Detailed History**

Date	Mileage	Source	Comments
10/01/1991		General Motors	<p>Manufacturer Safety recall issued - Recall #N910059 SAFETY BELT RETRACTORS-RIGHT SIDE - Status: Remedy Available</p> <p>Locate an authorized General Motors dealer to obtain more information about this recall.</p>
10/01/1991		General Motors	<p>Manufacturer Safety recall issued - Recall #N910058 SAFETY BELT RETRACTORS-LEFT SIDE - Status: Remedy Available</p> <p>Locate an authorized General Motors dealer to obtain more information about this recall.</p>
03/18/1992		Michigan Motor Vehicle Dept. Armada, MI Title #147C0780154	<p>Title or registration issued - First owner reported</p>
04/29/1998	15,335	Indiana Motor Vehicle Dept. Indianapolis, IN Title #98231075052	<p>Title issued or updated</p>
05/21/1999		Michigan Motor Vehicle Dept. Saint Clair Shores, MI Title #299K1410095	<p>Title or registration issued</p>
05/25/2007		Michigan Motor Vehicle Dept. Fraser, MI	<p>Registration issued or renewed</p>
05/28/2008		Michigan Motor Vehicle Dept.	<p>Registration issued or renewed</p>

Fraser, MI

05/26/2009

Michigan
Motor Vehicle Dept.
Fraser, MI**Registration issued or renewed**

10/21/2009 31,208

Midas
Roseville, MI
586-204-3508
midas.com**Vehicle serviced**

- A/C and heating system checked

★ 4.6 / 5.0

57 Verified Reviews

♥ 29 Customer Favorites

06/01/2010

Michigan
Motor Vehicle Dept.
Fraser, MI**Registration issued or renewed**

05/14/2011 46,176

Midas
Roseville, MI
586-204-3508
midas.com**Vehicle serviced**

- A/C refrigerant recharged

- Battery replaced

- Brakes checked

- Brake pads replaced

- Brakes replaced

- Oil and filter changed

- Spark plug(s) replaced

★ 4.6 / 5.0

57 Verified Reviews

♥ 29 Customer Favorites

05/27/2011

Michigan
Motor Vehicle Dept.
Fraser, MI**Registration issued or renewed**

06/08/2011

Midas
Roseville, MI
586-204-3508
midas.com**Vehicle serviced**

- Exhaust system checked

★ 4.6 / 5.0

57 Verified Reviews

♥ 29 Customer Favorites

06/25/2011 47,380

Midas
Roseville, MI
586-204-3508
midas.com**Vehicle serviced**

- Battery replaced

★ 4.6 / 5.0

57 Verified Reviews

♥ 29 Customer Favorites

05/30/2012

Michigan

Registration issued or renewed

Motor Vehicle Dept.
Fraser, MI

07/21/2012 51,554

Midas
Roseville, MI
586-204-3508
midas.com



Vehicle serviced
- A/C refrigerant recharged
- Engine checked

★ **4.6 / 5.0**
57 Verified Reviews
❤️ **29** Customer Favorites

05/24/2013

Michigan
Motor Vehicle Dept.
Fraser, MI

Registration issued or renewed

05/30/2014

Michigan
Motor Vehicle Dept.
Fraser, MI

Registration issued or renewed

05/29/2015

Michigan
Motor Vehicle Dept.
Fraser, MI

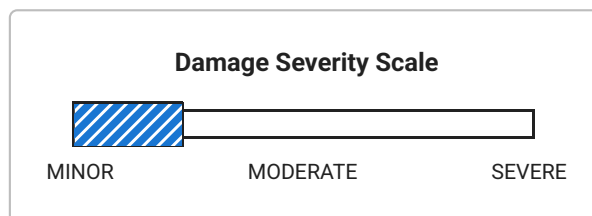
Registration issued or renewed

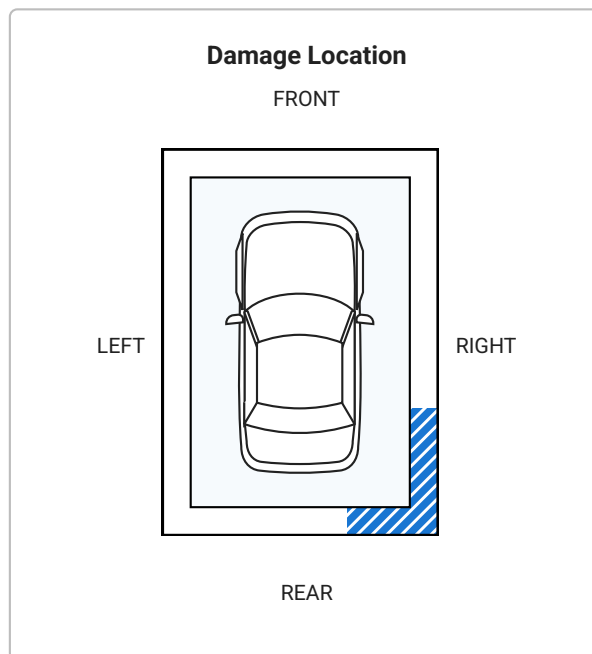
10/13/2015

Damage Report



Accident reported: minor damage
- Damage to right rear
- Airbags did not deploy






Minor damage is usually cosmetic, including dents or scratches to the vehicle body.

05/27/2016	Michigan Motor Vehicle Dept. Fraser, MI	Registration issued or renewed
05/29/2017	Michigan Motor Vehicle Dept. Fraser, MI	Registration issued or renewed
05/01/2018	Michigan Motor Vehicle Dept. Fraser, MI	Registration issued or renewed
07/17/2018 52,996	Gordie's Garage, Inc. Roseville, MI 586-775-1185 gordies.com ★ 4.6 / 5.0 41 Verified Reviews ❤️ 34 Customer Favorites	Vehicle serviced - A/C refrigerant recharged - Drivability/performance checked - Electrical system checked
08/29/2018 53,005	Gordie's Garage, Inc. Roseville, MI 586-775-1185 gordies.com ★ 4.6 / 5.0	Vehicle serviced - Drivability/performance checked - Fuel injector(s) replaced - Intake manifold gasket(s) replaced

 41 Verified Reviews

 34 Customer Favorites

09/11/2018 53,009

Gordie's Garage, Inc.
Roseville, MI
586-775-1185
gordies.com




Vehicle serviced

- A/C condenser replaced
- A/C refrigerant recharged
- Antifreeze/coolant checked

 4.6 / 5.0

41 Verified Reviews

 34 Customer Favorites

06/04/2019

Michigan
Motor Vehicle Dept.
Fraser, MI

Registration issued or renewed

05/26/2020

Michigan
Motor Vehicle Dept.
Fraser, MI

Registration issued or renewed

07/21/2021

Michigan
Motor Vehicle Dept.
Fraser, MI

Registration issued or renewed

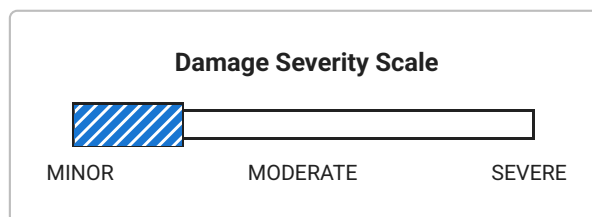
10/13/2021

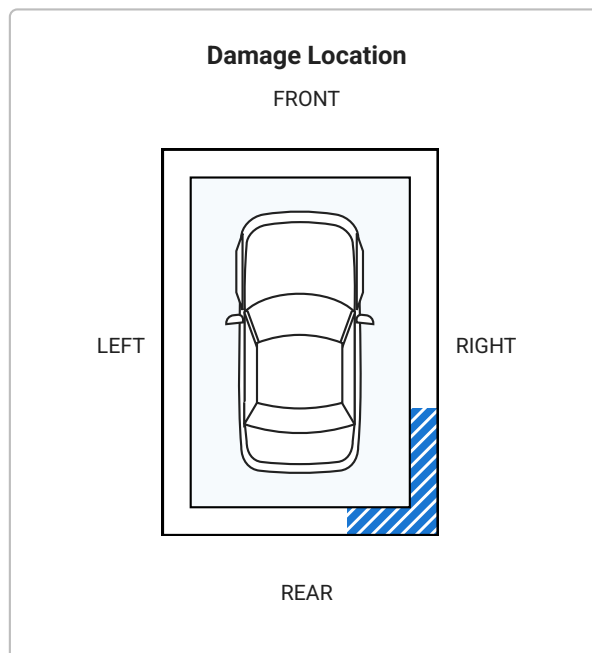
Damage Report



Accident reported: minor damage with another motor vehicle

- Damage to right rear
- Vehicle towed
- Airbags did not deploy





Minor damage is usually cosmetic, including dents or scratches to the vehicle body.

12/04/2021	Michigan Motor Vehicle Dept.	Vehicle purchase reported
02/23/2022	Michigan Motor Vehicle Dept. Pinckney, MI	Registration issued or renewed
02/23/2022	Michigan Motor Vehicle Dept. Pinckney, MI Title #MI0012501590	Title issued or updated - New owner reported - Exempt from odometer reporting
04/13/2023	Michigan Motor Vehicle Dept. Pinckney, MI	Registration issued or renewed
04/08/2024	Michigan Motor Vehicle Dept. Pinckney, MI	Registration issued or renewed

Have Questions? Consumers, please visit our Help Center at www.carfax.com. Dealers or Subscribers, please visit our Help Center at www.carfaxonline.com.



Glossary

Accident Indicator

CARFAX receives information about accidents in all 50 states, the District of Columbia and Canada.

Not every accident is reported to CARFAX. As details about the accident become available, those additional details are added to the CARFAX Vehicle History Report. CARFAX recommends that you have this vehicle inspected by a qualified mechanic.

- According to the National Safety Council, Injury Facts, 2021 edition, 5% of the 276 million registered vehicles in the U.S. were involved in an accident in 2019. Over 77% of these were considered minor or moderate.
- This CARFAX Vehicle History Report is based only on information supplied to CARFAX and available as of 11/28/25 at 11:03:00 AM (CST). Other information about this vehicle, including problems, may not have been reported to CARFAX. Use this report as one important tool, along with a vehicle inspection and test drive, to make a better decision about your next used car.

Damage Severity

Damage events result in one of the following severity levels:

- Minor: Generally, minor damage is cosmetic (including dents or scratches), may only require reconditioning, and typically does not compromise a vehicle's operation and/or safety.
- Moderate: Moderate damage may affect multiple components of the vehicle and may impair the vehicle's operation and/or safety.
- Severe: Severe damage usually affects multiple components of the vehicle and is likely to compromise the vehicle's operation and/or safety.

CARFAX recommends getting a pre-purchase inspection at a certified collision repair facility.

First Owner

When the first owner(s) obtains a title from a Department of Motor Vehicles as proof of ownership.

Manufacturer Recall

Automobile manufacturers issue recall notices to inform vehicle owners of a safety defect or failure to meet minimum federal safety or emissions standards. Manufacturer recalls are repaired at no cost to the customer.

New Owner Reported

When a vehicle is sold to a new owner, the Title must be transferred to the new owner(s) at a Department of Motor Vehicles.

Ownership History

CARFAX defines an owner as an individual or business that possesses and uses a vehicle. Not all title transactions represent changes in ownership. To provide estimated number of owners, CARFAX proprietary technology analyzes all the events in a vehicle history. Estimated ownership is available for vehicles manufactured after 1991 and titled solely in the US including Puerto Rico. Dealers sometimes opt to take ownership of a vehicle and are required to in the following states: Maine, Massachusetts, New Jersey, Ohio, Oklahoma, Pennsylvania and South Dakota. Please consider this as you review a vehicle's estimated ownership history.

Title Issued

A state issues a title to provide a vehicle owner with proof of ownership. Each title has a unique number. Each title or registration record on a CARFAX report does not necessarily indicate a change in ownership. In Canada, a registration and bill of sale are used as proof of ownership.

Follow Us:  [facebook.com/CARFAX](https://www.facebook.com/CARFAX)

 [@CARFAXinc](https://twitter.com/CARFAXinc)

 About CARFAX

CARFAX DEPENDS ON ITS SOURCES FOR THE ACCURACY AND RELIABILITY OF ITS INFORMATION. THEREFORE, NO RESPONSIBILITY IS ASSUMED BY CARFAX OR ITS AGENTS FOR ERRORS OR OMISSIONS IN THIS REPORT. CARFAX FURTHER EXPRESSLY DISCLAIMS ALL WARRANTIES, EXPRESS OR IMPLIED, INCLUDING ANY IMPLIED WARRANTIES OF MERCHANTABILITY OR FITNESS FOR A PARTICULAR PURPOSE.

© 2025 CARFAX, Inc., part of S&P Global. All rights reserved.
11/28/25 11:03:00 AM (CST)

I have reviewed and received a copy of the CARFAX Vehicle History Report for this 1991 CHEVROLET CORVETTE vehicle (VIN: 1G1YY2385M5112657), which is based on information supplied to CARFAX and available as of 11/28/25 at 12:03 PM (EST).

Customer Signature

Date

Dealer Signature

Date

CARFAX Warranty Check™

CARFAX has estimated the remaining original manufacturer warranty coverage based on information reported to us on this **1991 CHEVROLET CORVETTE (1G1YY2385M5112657)**.

1991 CHEVROLET CORVETTE

VIN: 1G1YY2385M5112657

Estimated start date of warranty: 01/01/1991

Last CARFAX reading reported on 09/11/2018: 53,009 miles

Today's date: 11/28/2025

Type of Coverage	Original Warranty	Estimated Remaining Coverage
Basic	36 months or 50,000 miles	Coverage Expired
Drivetrain	36 months or 50,000 miles	Coverage Expired
Emissions	No data reported to CARFAX	
Corrosion	72 months or 100,000 miles	Coverage Expired
Transferable	No data reported to CARFAX	
Roadside	No data reported to CARFAX	
Safety belt & inflatable restraint	No data reported to CARFAX	
Specific Components	No data reported to CARFAX	

i CARFAX Warranty Check provides an **estimate** of this vehicle's remaining warranty coverage. It does not take into account some vehicle history events such as some title brands that may void the original manufacturer warranty or ownership transfers that may decrease warranty coverage. This warranty information is only valid for vehicles manufactured for the United States. Complete warranty coverage information is available for this vehicle at the CHEVROLET website.

© 2025 CARFAX, Inc., part of S&P Global. All rights reserved.
11/28/25 11:03:00 AM (CST)

The Buyback Guarantee Certificate is not available for this vehicle. [View Terms](#)