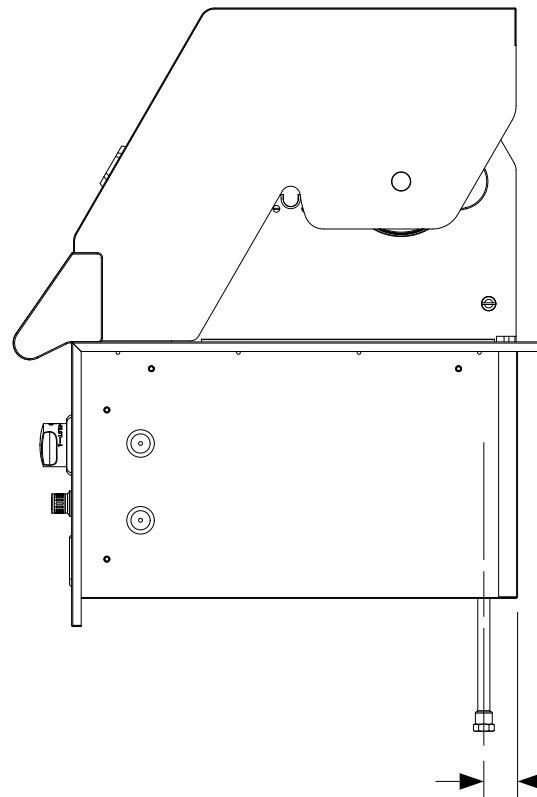
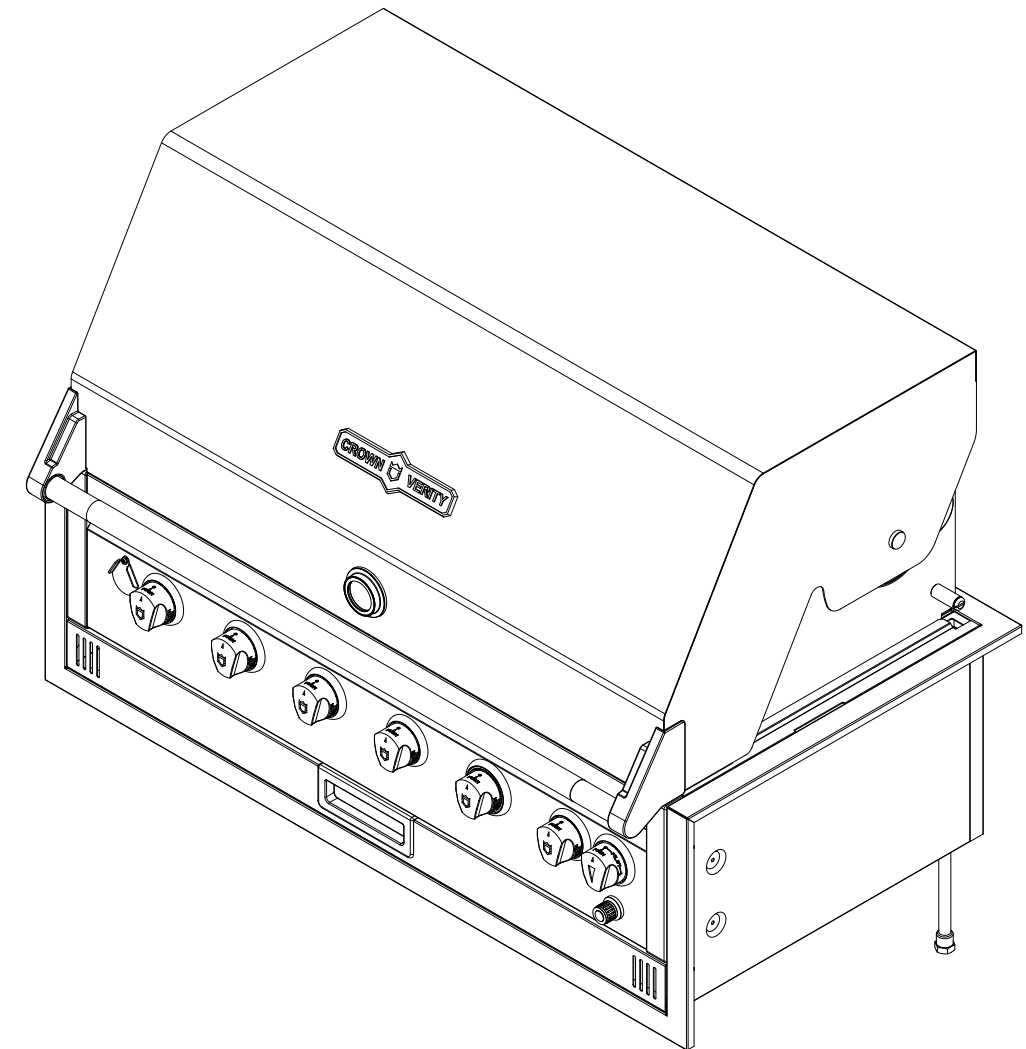


REVISION HISTORY			
REV	DESCRIPTION	DATE	APPROVED
-	Engineering Release	01/16/2020	Todd Stone



The dimensions shown are the actual physical dimensions of the grill. Additional clearances to cabinetry are dependent on the tolerances of the cut-out. The suggested cut-out dimensions are listed in the chart below but these dimensions can be reduced if the tolerances are controlled.

Please refer to the installation manual for additional clearances to combustibles.

Suggested Cut-out Dims	
Height	13.000
Width	45.000
Depth	23.000
Material	SS 304

Dimensions are in inches  
 Linear Tolerance: +/- .015  
 Bend Tolerance: +/- .020  
 Angular Tolerance: +/- 0.5  
 Radial Tolerance: +/- .005

DRAWN BY: Todd Stone

**CROWN VERITY**

37 Adams Blvd., Brantford, Ontario, N3S 7V8  
 P: (519) 751-1800 www.crownverity.com

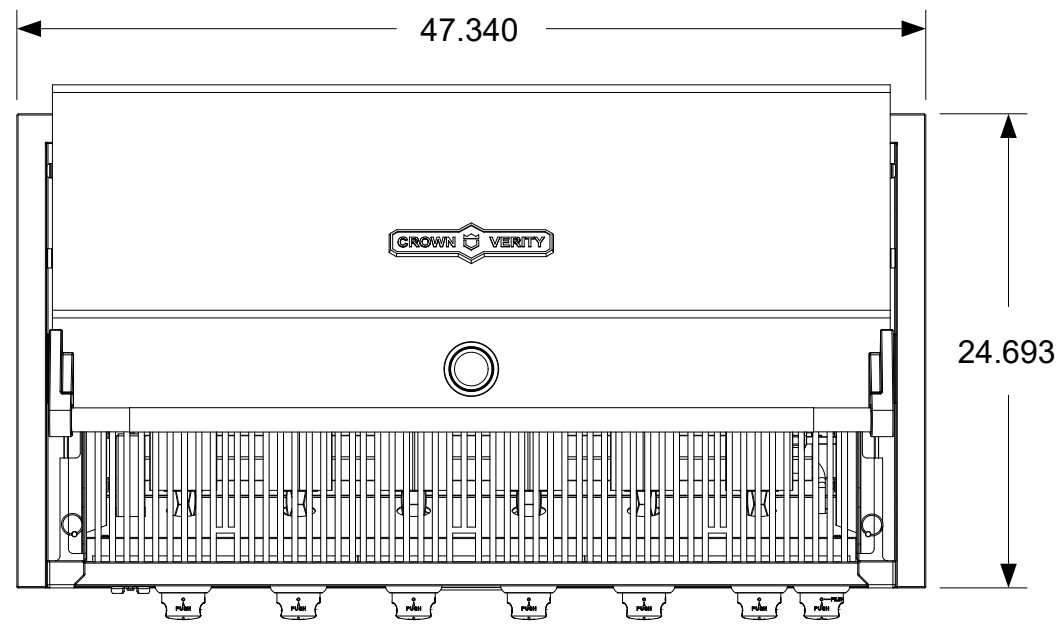
TITLE **Infinite 42 Inch Built-in Grill**

SIZE	Customer	DWG NO	REV
B	Crown Verity	IBI42(NG/LP)	-

SCALE 1:10    01/16/2020    SHEET 1 of 3

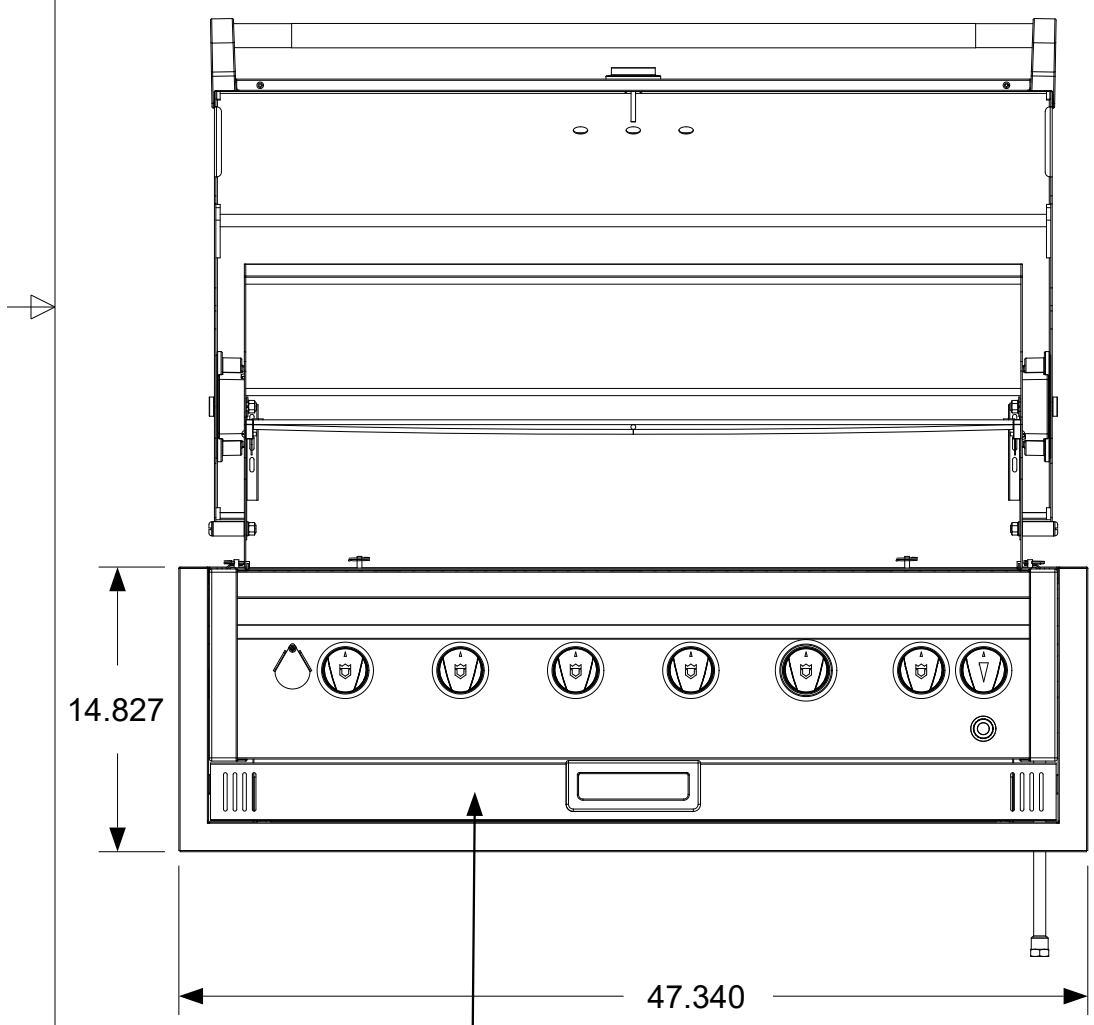
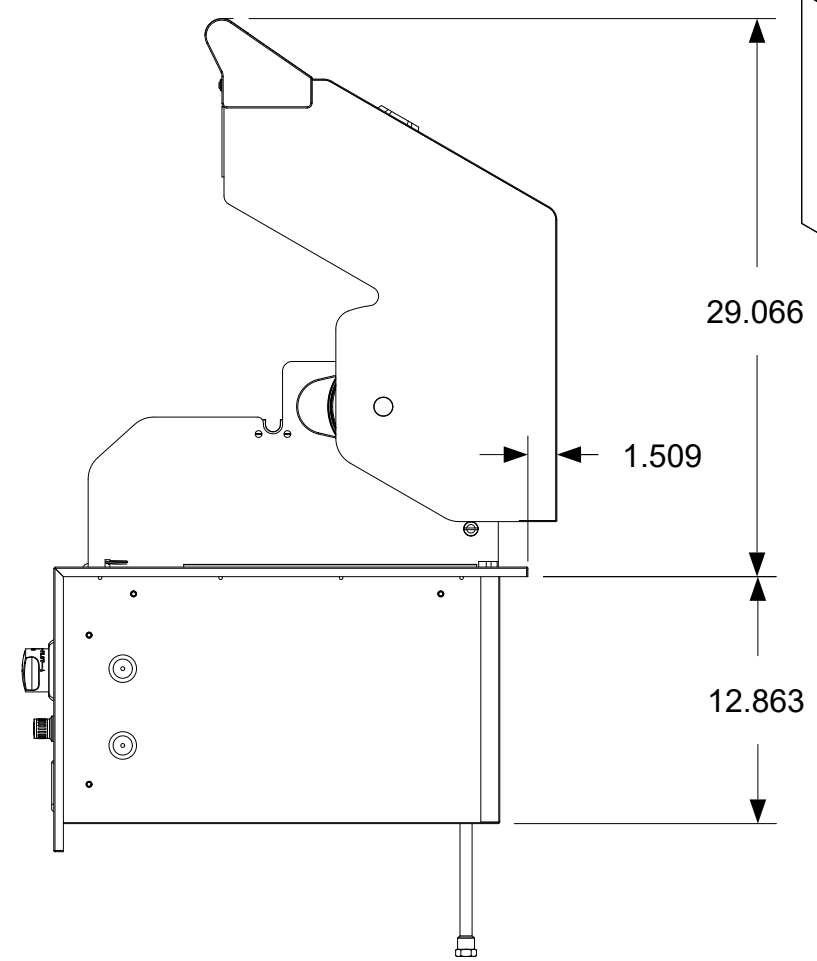
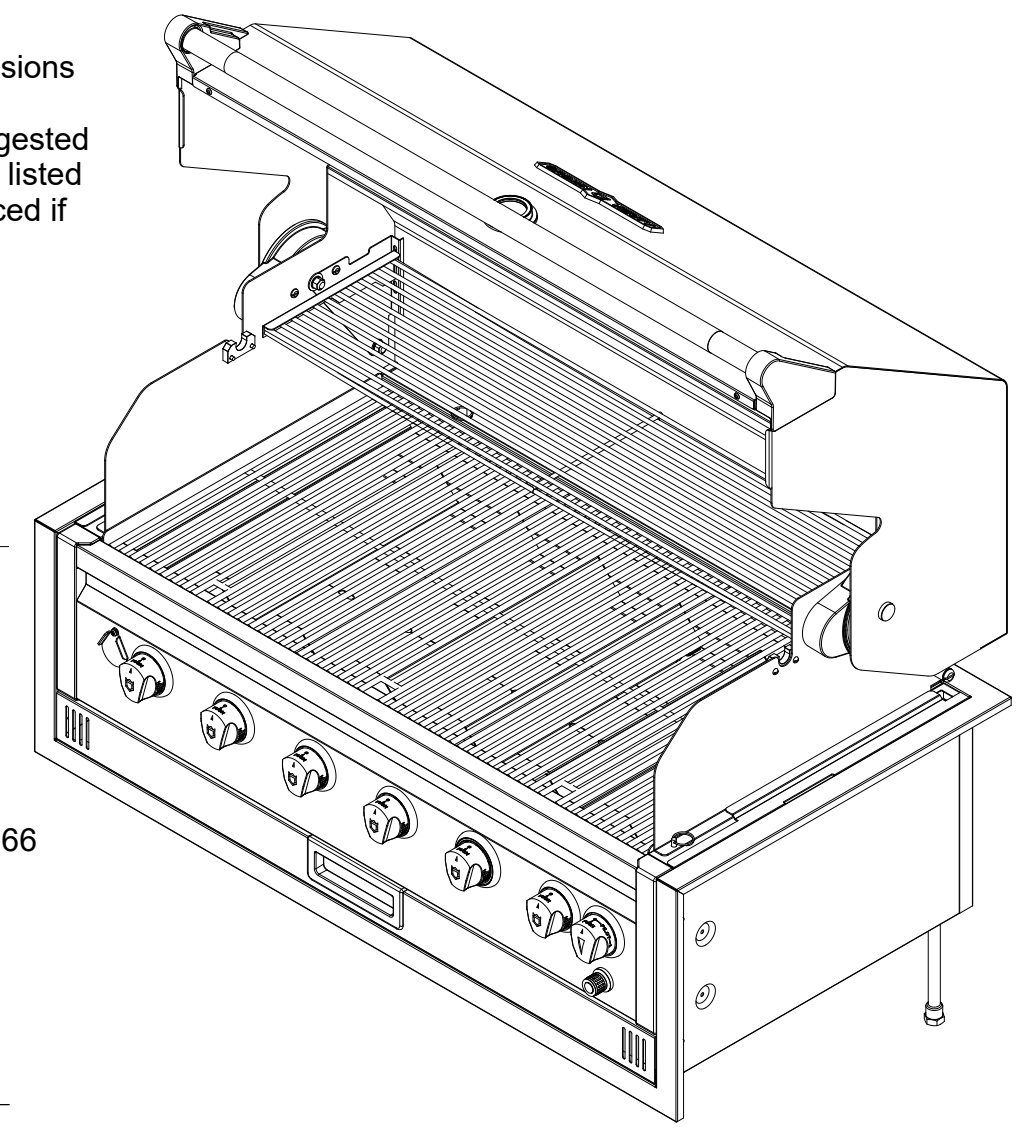
REVISION HISTORY

REV	DESCRIPTION	DATE	APPROVED
-	Engineering Release	01/16/2020	Todd Stone



The dimensions shown are the actual physical dimensions of the grill. Additional clearances to cabinetry are dependent on the tolerances of the cut-out. The suggested cut-out dimensions for the insulated jacket option are listed in the chart below but these dimensions can be reduced if the tolerances are controlled.

Please refer to the installation manual for additional clearances to combustibles.



Removable Grease Tray

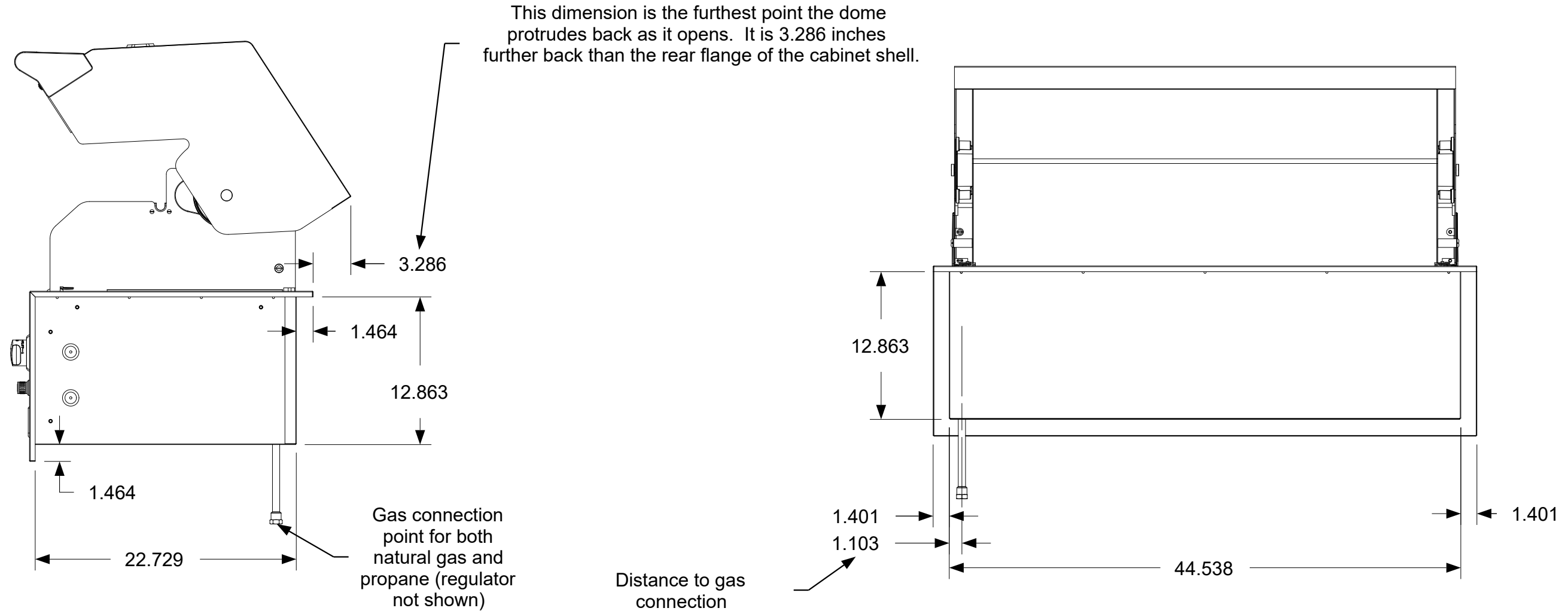
Suggested Cut-out Dims		Dimensions are in inches Linear Tolerance: +/- .015 Bend Tolerance: +/- .020 Angular Tolerance: +/- 0.5 Radial Tolerance: +/- .005
Height	13.000	
Width	45.000	
Depth	23.000	
Material	SS 304	DRAWN BY: Todd Stone



37 Adams Blvd., Brantford, Ontario, N3S 7V8  
P: (519) 751-1800 www.crownverity.com

TITLE			
Infinite 42 Inch Built-in Grill			
SIZE	Customer	DWG NO	REV
B	Crown Verity	IBI42(NG/LP)	-
SCALE	1:10	01/16/2020	SHEET 2 of 3

REVISION HISTORY			
REV	DESCRIPTION	DATE	APPROVED
-	Engineering Release	01/16/2020	Todd Stone



The dimensions shown are the actual physical dimensions of the grill. Additional clearances to cabinetry are dependent on the tolerances of the cut-out. The suggested cut-out dimensions are listed in the chart below but these dimensions can be reduced if the tolerances are controlled.

Please refer to the installation manual for additional clearances to combustibles.

Suggested Cut-out Dims		Dimensions are in inches Linear Tolerance: +/- .015 Bend Tolerance: +/- .020 Angular Tolerance: +/- 0.5 Radial Tolerance: +/- .005
Height	13.000	
Width	45.000	
Depth	23.000	
Material	SS 304	

**CROWN VERITY**  
 37 Adams Blvd., Brantford, Ontario, N3S 7V8  
 P: (519) 751-1800 www.crownverity.com

TITLE: **Infinite 42 Inch Built-in Grill**

SIZE	Customer	DWG NO	REV
B	Crown Verity	IBI42(NG/LP)	-

SCALE: 1:10      01/16/2020      SHEET: 3 of 3