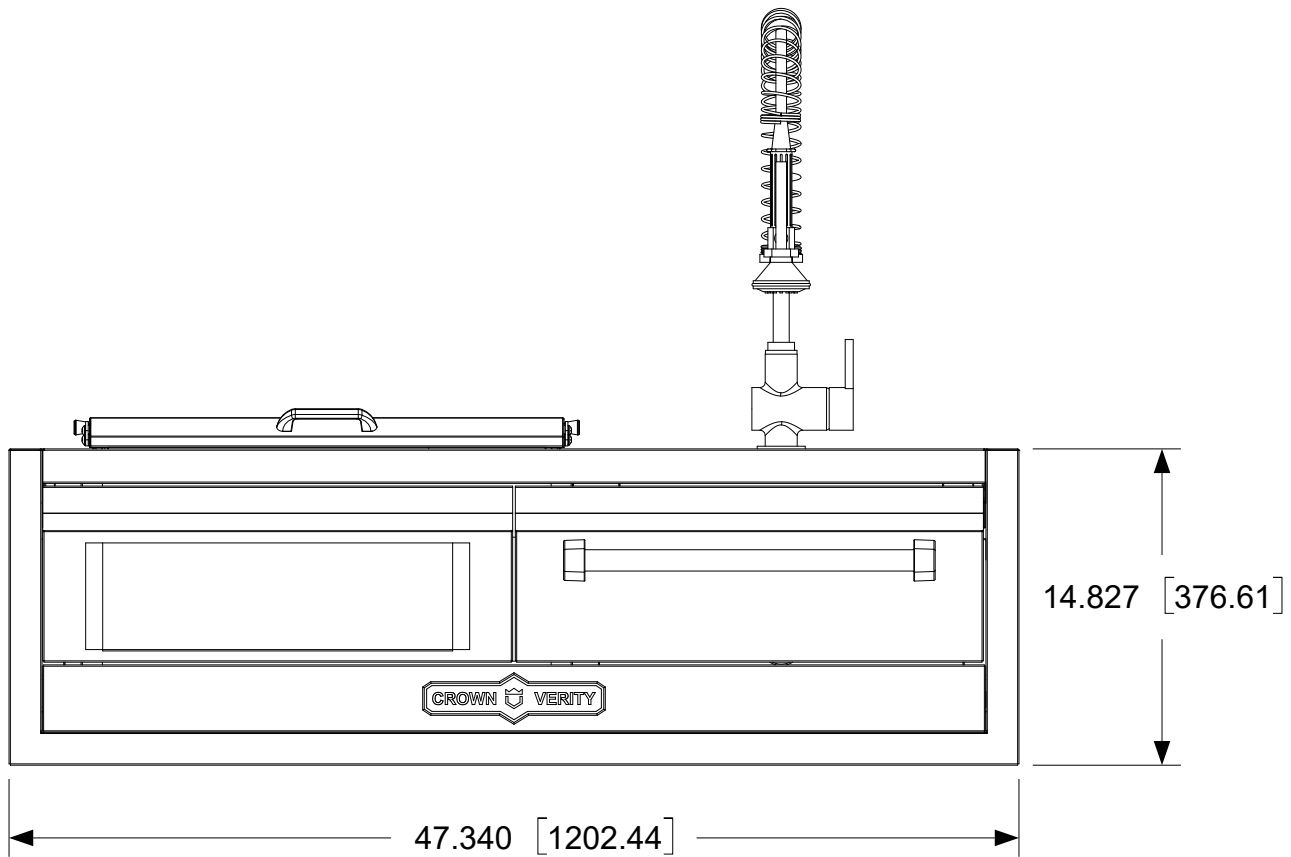
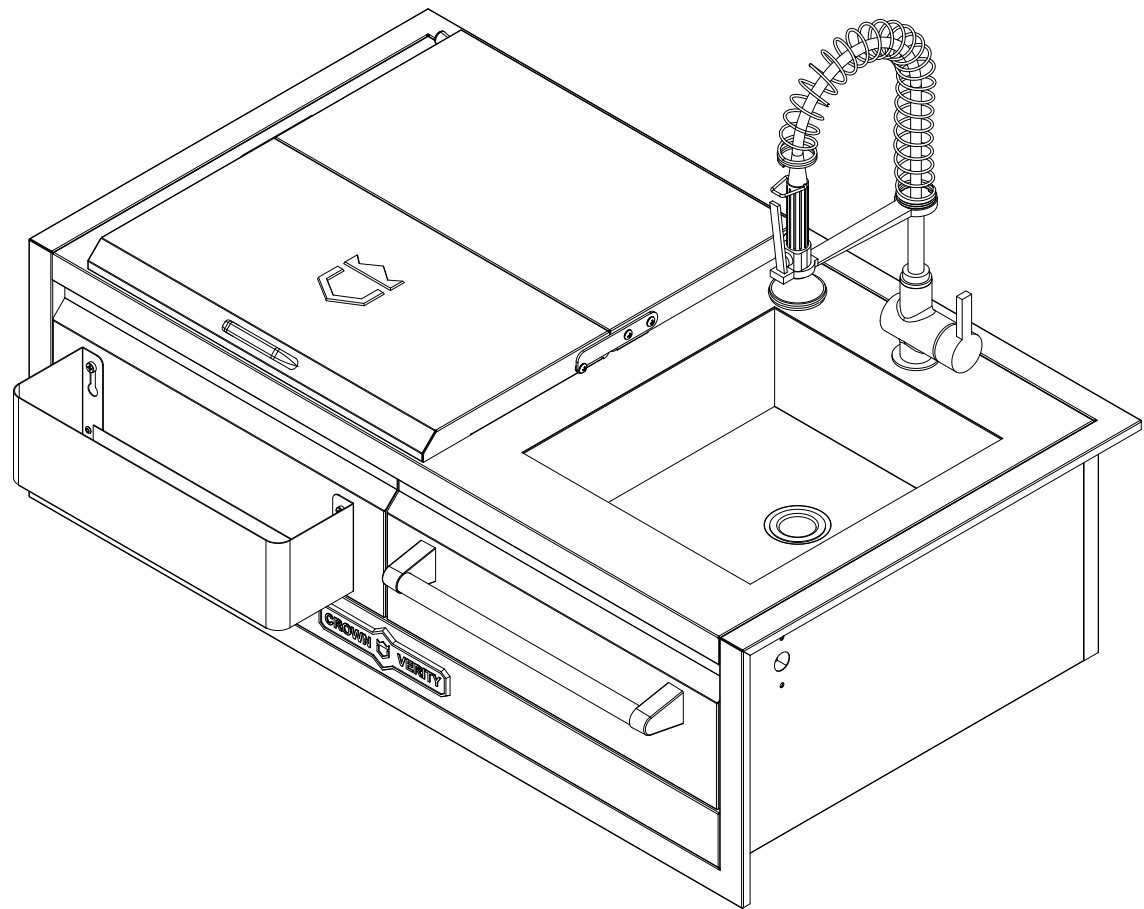
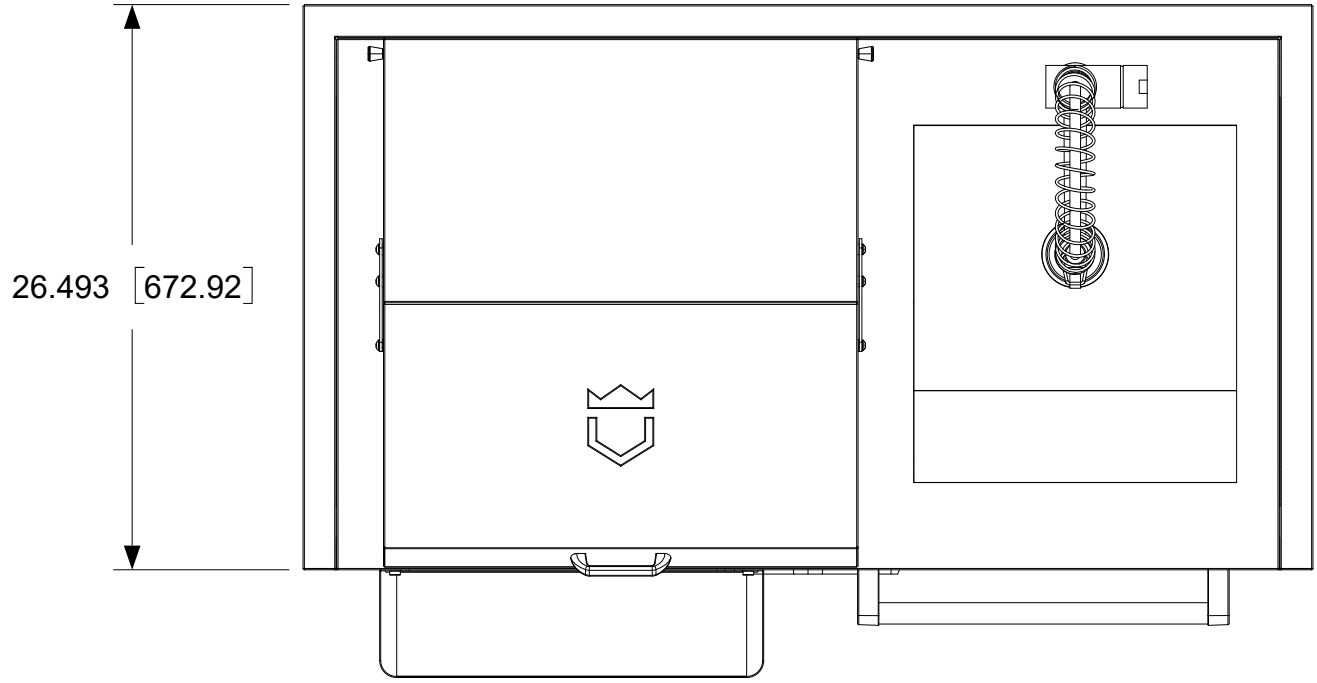


REVISION HISTORY			
REV	DESCRIPTION	DATE	APPROVED
00	Engineering Release	02/07/2024	Todd Stone



Suggested Cut-out Dims	
Height	13.000
Width	45.000
Depth	24.750
Material	SS 304

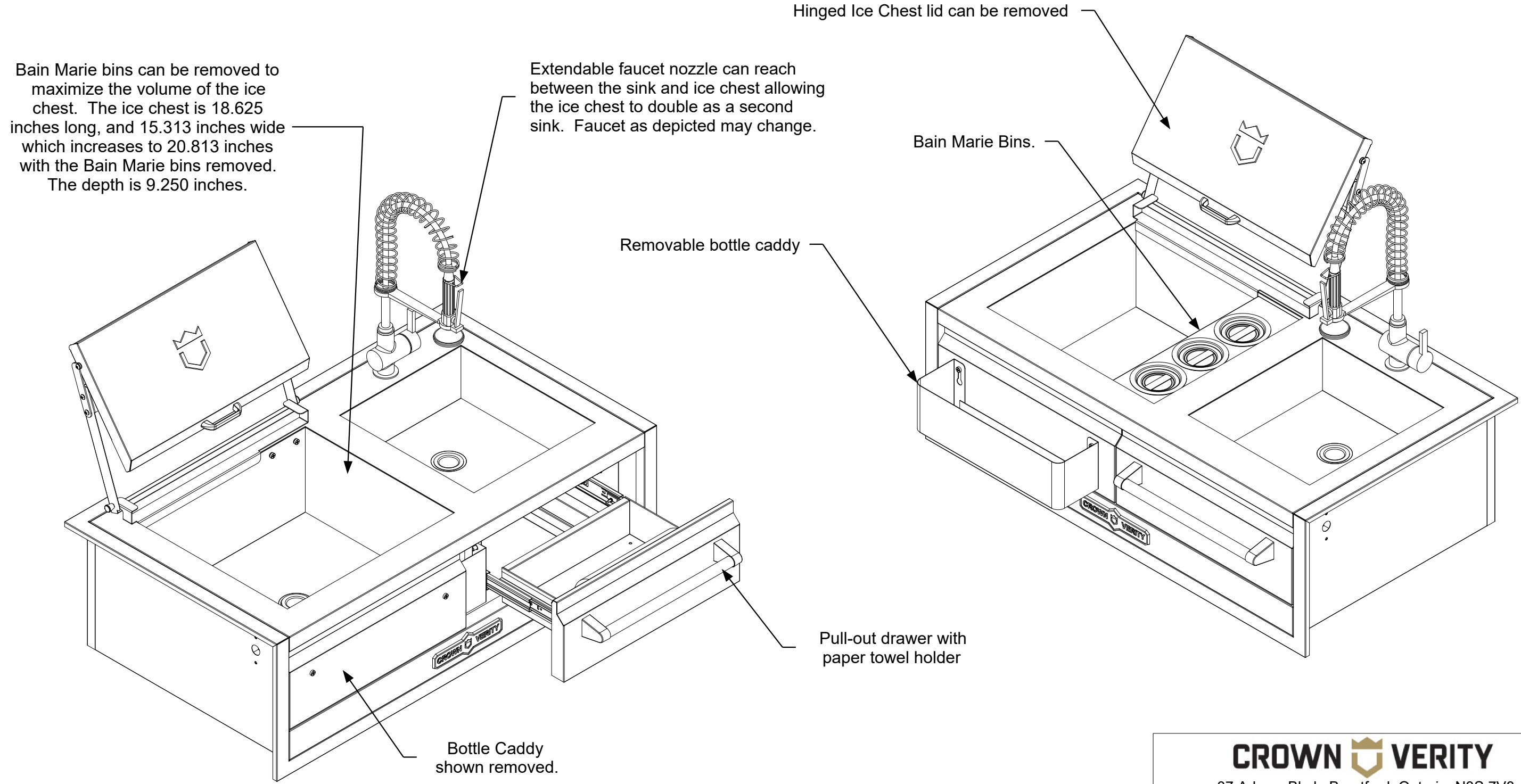
Dimensions are in inches
 Linear Tolerance: +/- .015
 Bend Tolerance: +/- .020
 Angular Tolerance: +/- 0.5
 Radial Tolerance: +/- .005

DRAWN BY: Todd Stone

CROWN VERITY
 37 Adams Blvd., Brantford, Ontario, N3S 7V8
 P: (519) 751-1800 www.crownverity.com

TITLE				Infinite Built In Bar Center 42 Inch	
SIZE	Customer	DWG NO		REV	
B	Crown Verity	IBIBC42		00	
SCALE	1 : 9	02/07/2024	SHEET	1 of 3	

REVISION HISTORY			
REV	DESCRIPTION	DATE	APPROVED
00	Engineering Release	02/07/2024	Todd Stone



Suggested Cut-out Dims	
Height	13.000
Width	45.000
Depth	24.750
Material	SS 304

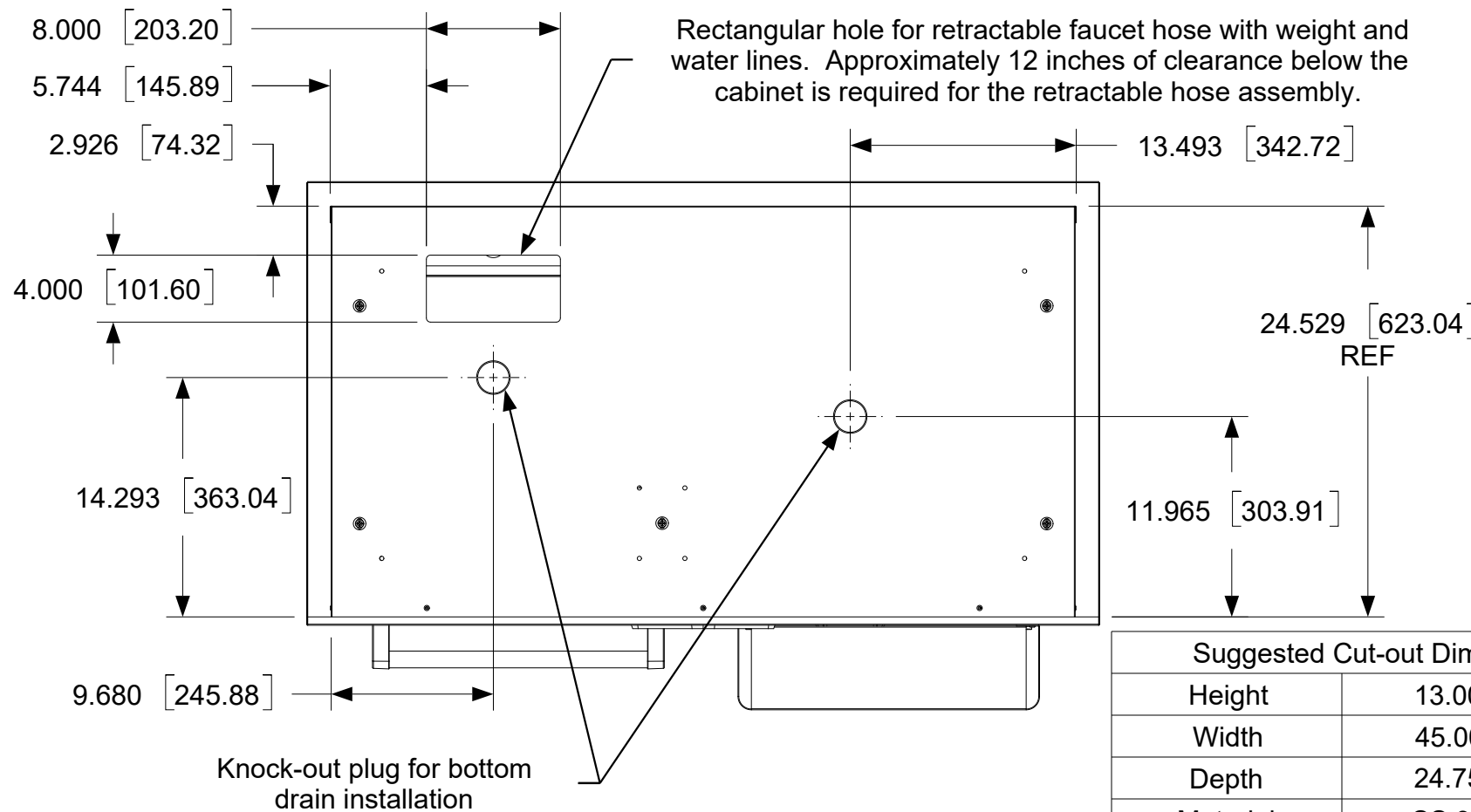
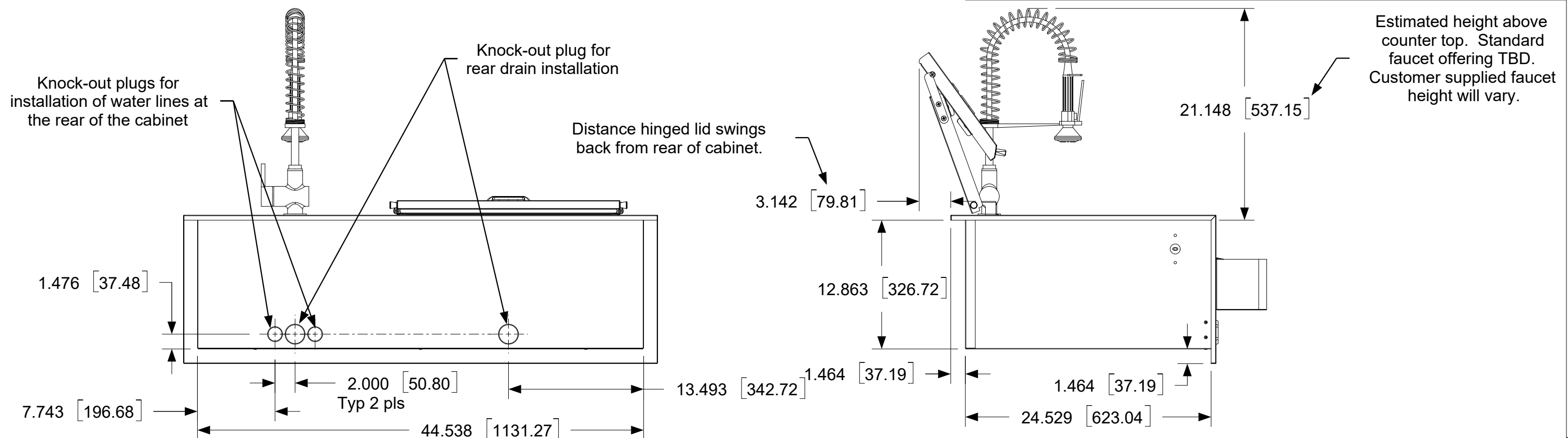
Dimensions are in inches
 Linear Tolerance: +/- .015
 Bend Tolerance: +/- .020
 Angular Tolerance: +/- 0.5
 Radial Tolerance: +/- .005

DRAWN BY: Todd Stone

CROWN VERITY
 37 Adams Blvd., Brantford, Ontario, N3S 7V8
 P: (519) 751-1800 www.crownverity.com

TITLE Infinite Built In Bar Center 42 Inch			
SIZE B	Customer Crown Verity	DWG NO IBIBC42	REV 00
SCALE 1 : 9	02/07/2024	SHEET 2 of 3	

REVISION HISTORY			
REV	DESCRIPTION	DATE	APPROVED
00	Engineering Release	02/07/2024	Todd Stone



Suggested Cut-out Dims		Dimensions are in inches Linear Tolerance: +/- .015 Bend Tolerance: +/- .020 Angular Tolerance: +/- 0.5 Radial Tolerance: +/- .005
Height	13.000	
Width	45.000	
Depth	24.750	
Material	SS 304	

DRAWN BY: Todd Stone

CROWN VERITY
 37 Adams Blvd., Brantford, Ontario, N3S 7V8
 P: (519) 751-1800 www.crownverity.com

TITLE Infinite Built In Bar Center 42 Inch			
SIZE	Customer	DWG NO	REV
B	Crown Verity	IBIBC42	00
SCALE	1 : 10	02/07/2024	SHEET 3 of 3