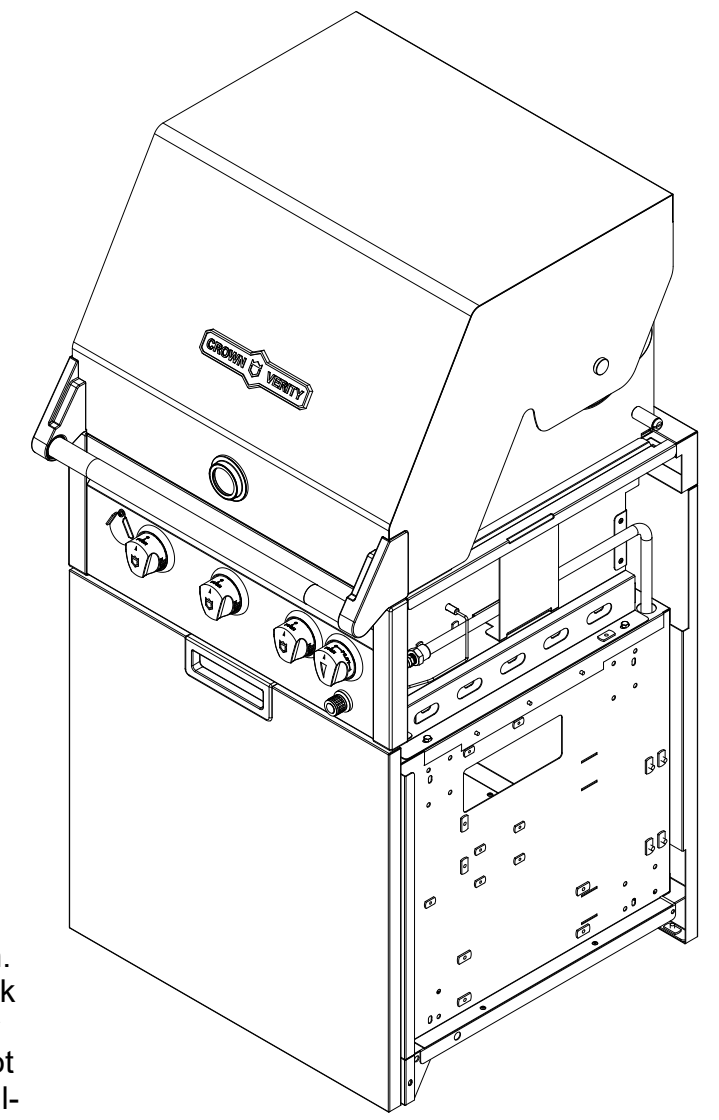
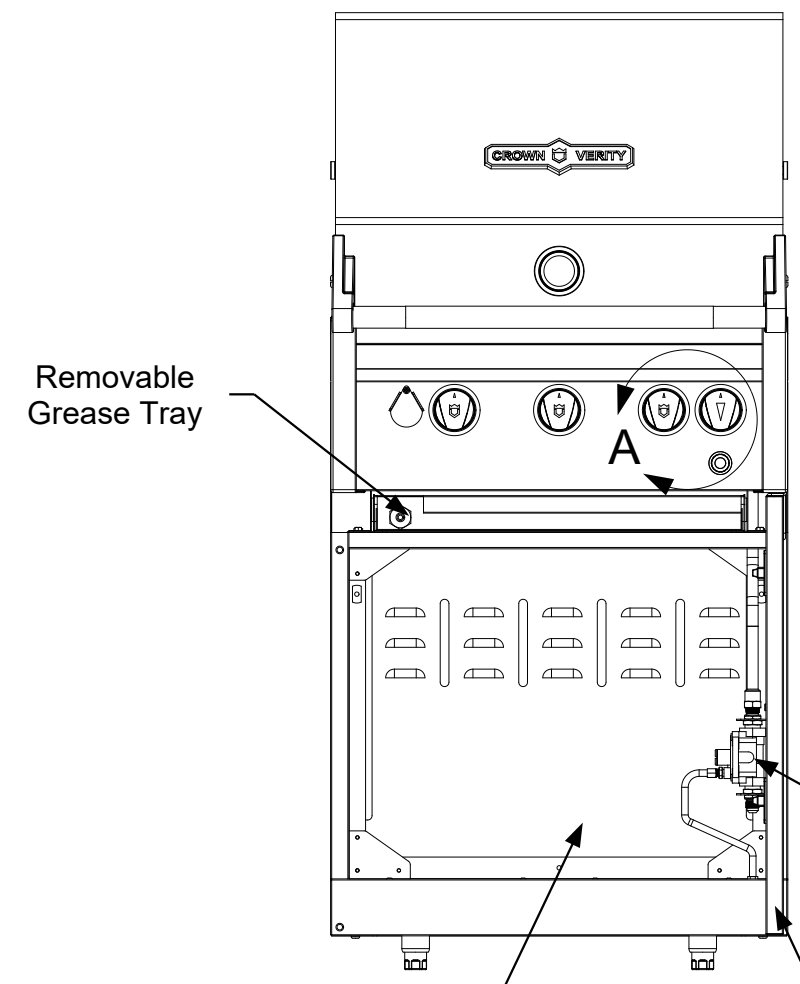
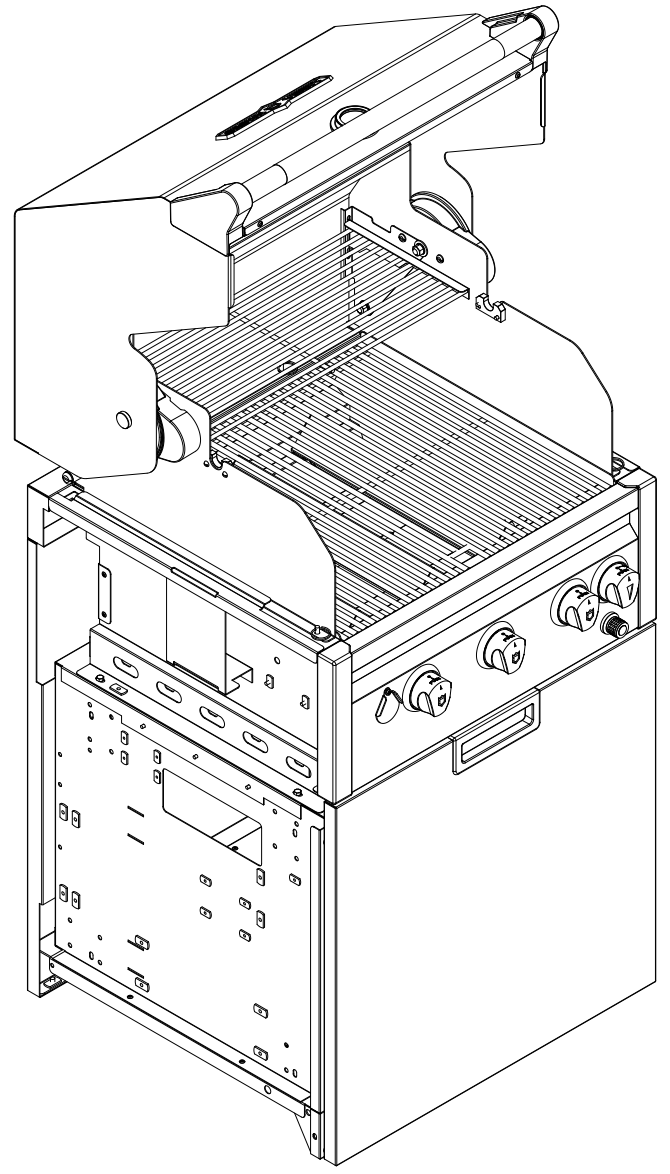
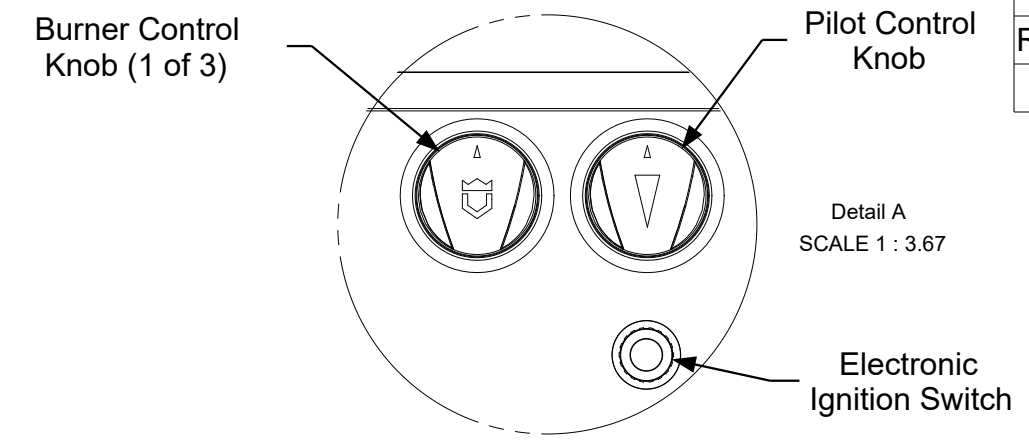


REVISION HISTORY

REV	DESCRIPTION	DATE	APPROVED
-	Engineering Release	01/01/2020	Todd Stone



Natural gas connection shown. For propane versions, bulk tank connections would also occur here. For propane versions not connected to a bulk tank, a pull-out propane tank drawer is provided along with a hose and regulator assembly to attach to a 20 lbs. tank (not supplied).

Storage area below the grill. Optional drawer configurations are available at the time of ordering or can be installed at a later date (see page 3).

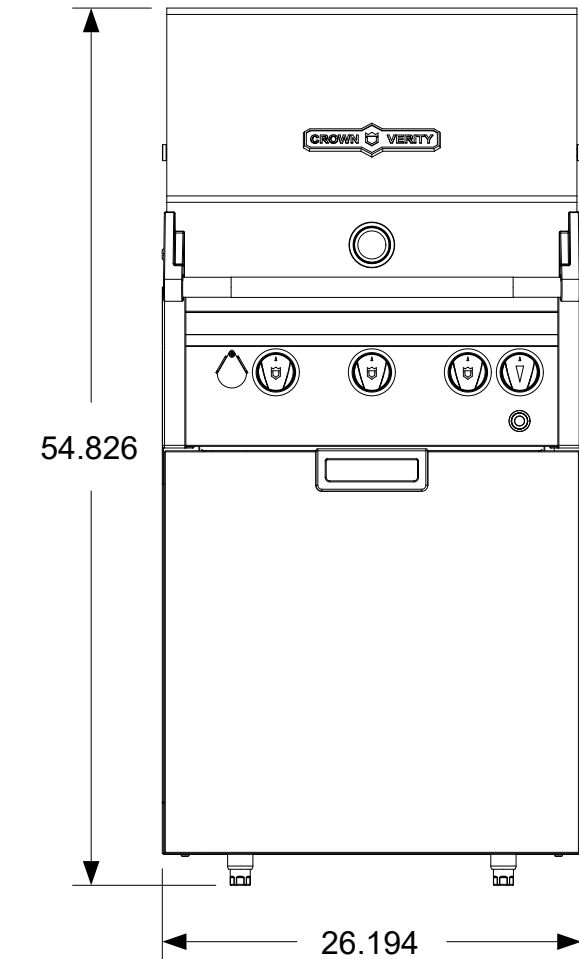
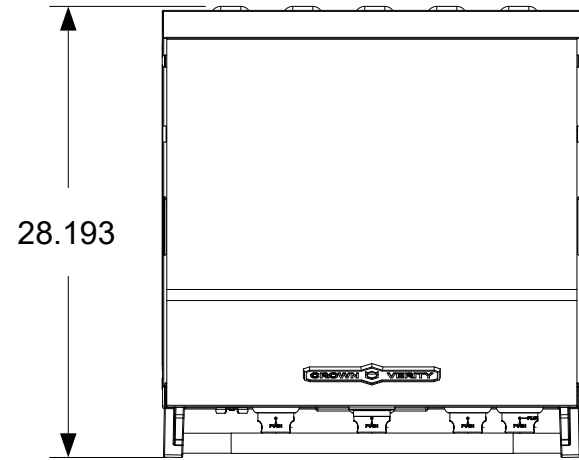
Door shown with lefthand mounting option. Door hardware can be switched for righthand mount

Gauge	N/A	Dimensions are in inches Linear Tolerance: +/- .015 Bend Tolerance: +/- .020 Angular Tolerance: +/- 0.5 Radial Tolerance: +/- .005
Weight (Kg)	N/A	
K Factor	N/A	
Finish	#4	
Material	SS 304	
DRAWN BY: Todd Stone		

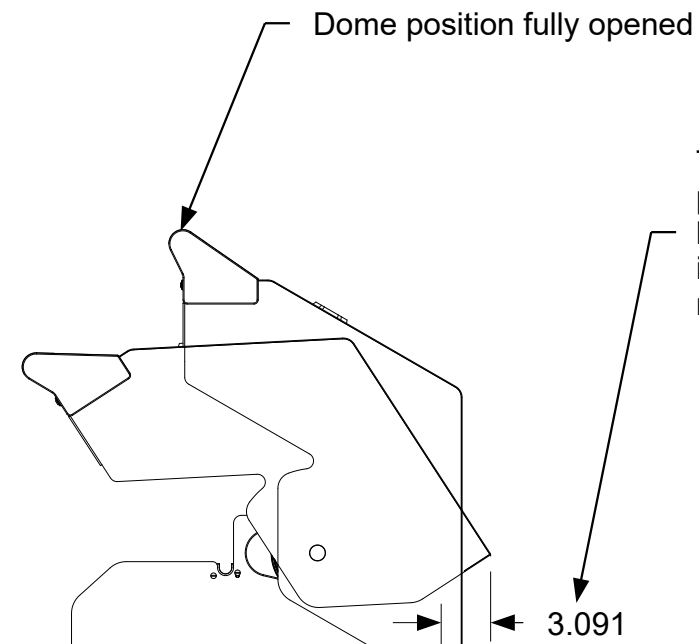
CROWN VERITY
37 Adams Blvd., Brantford, Ontario, N3S 7V8
P: (519) 751-1800 www.crownverity.com

TITLE			
Infinite 24 Inch Grill Module			
SIZE	Customer	DWG NO	REV
B	Crown Verity	IGM24(NG/LP)	-
SCALE	1:11	01/01/2020	SHEET 1 of 3

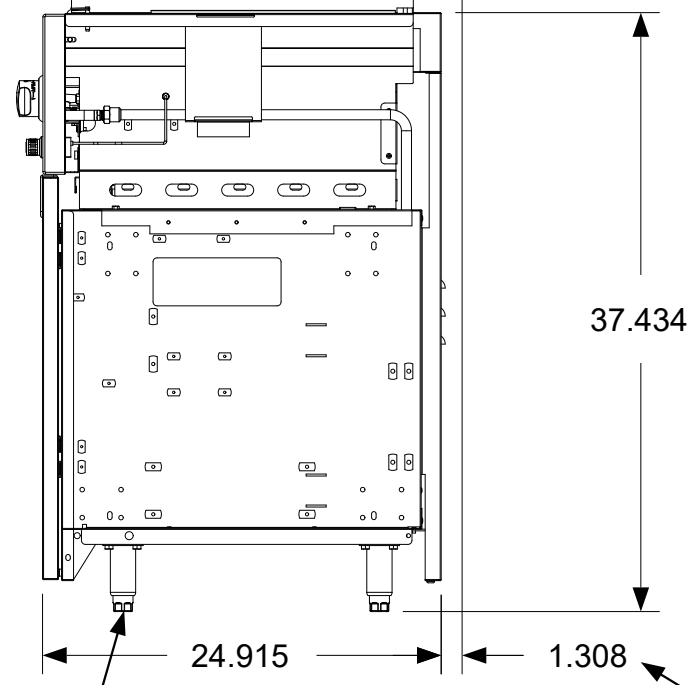
REVISION HISTORY			
REV	DESCRIPTION	DATE	APPROVED
-	Engineering Release	01/01/2020	Todd Stone



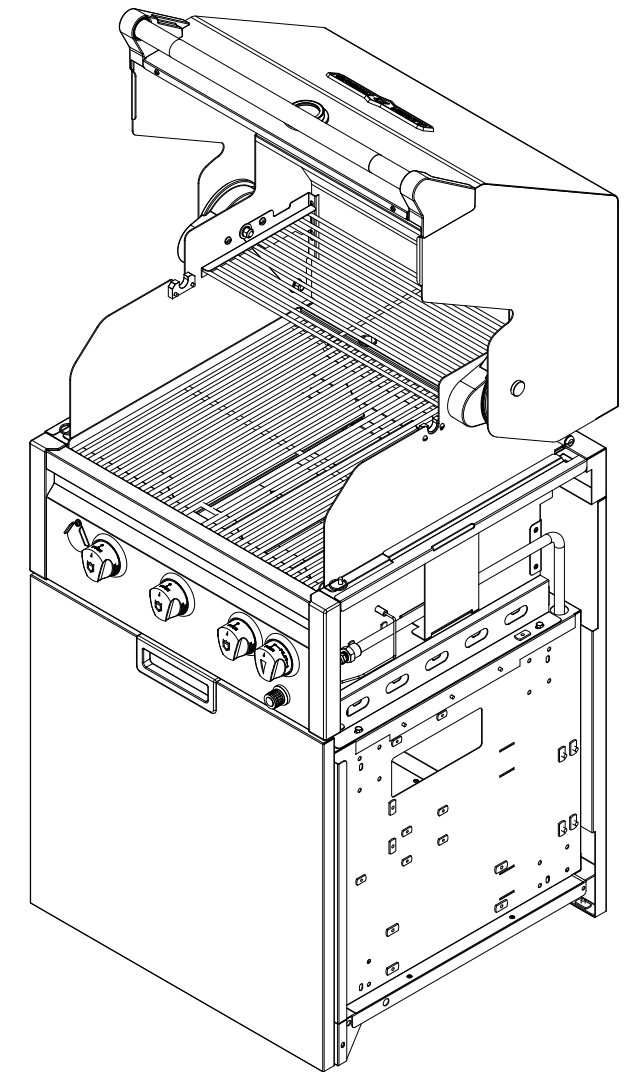
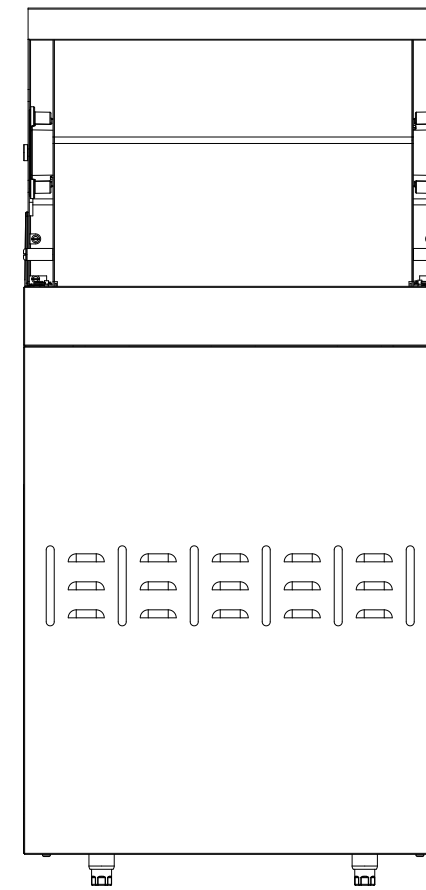
Adjustable leveling leg shown at lowest setting. Adjustment range is 2.125 inches.



This dimension is the furthest point the dome protrudes back as it opens. It is 3.091 inches further back than the rear of the cabinet.



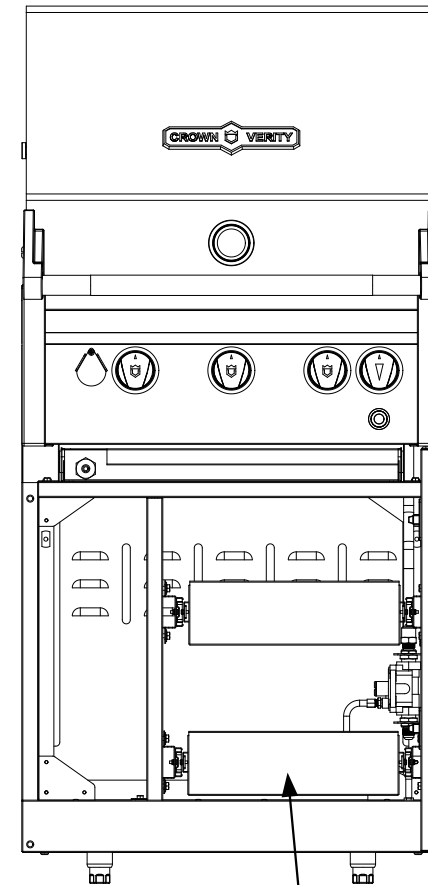
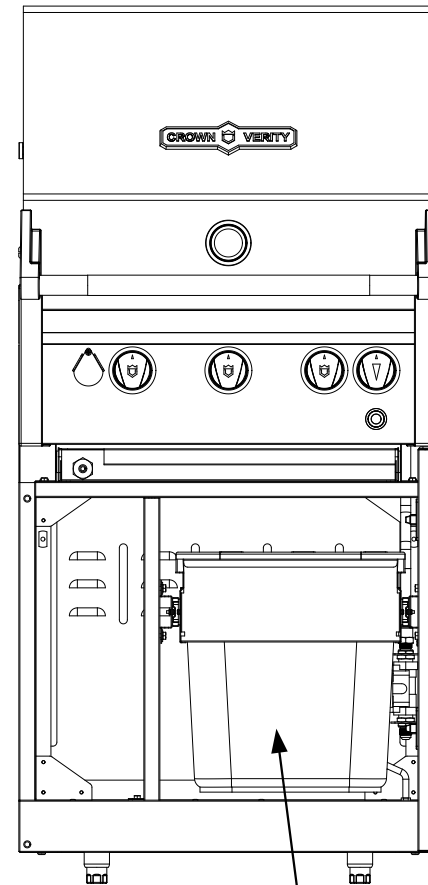
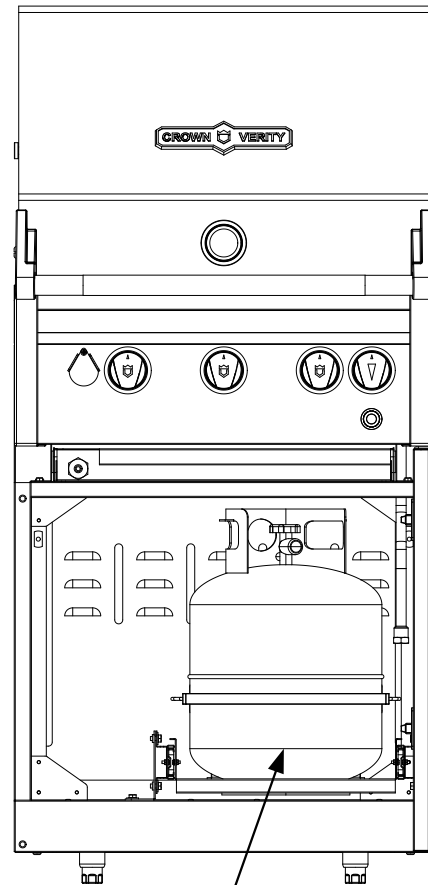
Dimension from the open lid of the dome to the back of the cabinet.



Gauge	N/A	Dimensions are in inches Linear Tolerance: +/- .015 Bend Tolerance: +/- .020 Angular Tolerance: +/- 0.5 Radial Tolerance: +/- .005
Weight (Kg)	N/A	
K Factor	N/A	
Finish	#4	
Material	SS 304	
DRAWN BY: Todd Stone		

CROWN VERITY			
37 Adams Blvd., Brantford, Ontario, N3S 7V8 P: (519) 751-1800 www.crownverity.com			
TITLE: Infinite 24 Inch Grill Module			
SIZE	Customer	DWG NO	REV
B	Crown Verity	IGM24(NG/LP)	-
SCALE	1:12	01/01/2020	SHEET 2 of 3

REVISION HISTORY			
REV	DESCRIPTION	DATE	APPROVED
-	Engineering Release	01/01/2020	Todd Stone



For LP applications that are not connected to a bulk supply, a pull-out propane tank drawer is factory installed along with a hose and regulator assembly to attach to a 20 lbs. tank (not supplied).

Storage area below the grill is shown with the optional garbage drawer.

Storage area below the grill is shown with the optional utility drawer. The cabinet can accommodate a single or dual drawer as shown.

CROWN VERITY

37 Adams Blvd., Brantford, Ontario, N3S 7V8
P: (519) 751-1800 www.crownverity.com

Gauge	N/A	Dimensions are in inches Linear Tolerance: +/- .015 Bend Tolerance: +/- .020 Angular Tolerance: +/- 0.5 Radial Tolerance: +/- .005
Weight (Kg)	N/A	
K Factor	N/A	
Finish	#4	
Material	SS 304	

DRAWN BY: Todd Stone

TITLE
Infinite 24 Inch Grill Module

SIZE B	Customer Crown Verity	DWG NO IGM24(NG/LP)	REV -
SCALE 1:12	01/01/2020	SHEET 3 of 3	