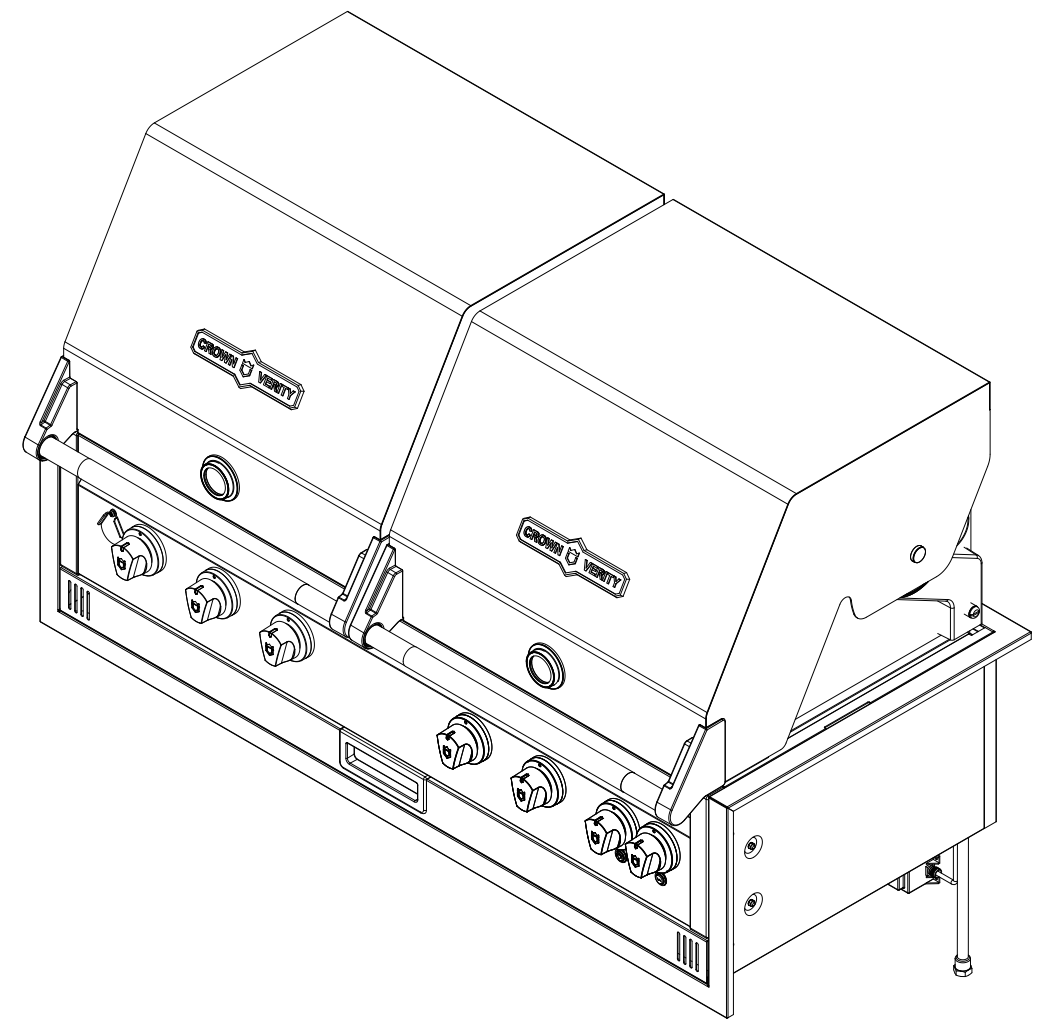


REVISION HISTORY			
REV	DESCRIPTION	DATE	APPROVED
-	Engineering Release	01/16/2020	Todd Stone



Distance to gas and electrical connections

Images shown with optional IBI482RDFDLT light kit

The dimensions shown are the actual physical dimensions of the grill. Additional clearances to cabinetry are dependent on the tolerances of the cut-out. The suggested cut-out dimensions are listed in the chart below but these dimensions can be reduced if the tolerances are controlled.

Please refer to the installation manual for additional clearances to combustibles.

Suggested Cut-out Dimensions		Dimensions are in inches Linear Tolerance: +/- .015 Bend Tolerance: +/- .020 Angular Tolerance: +/- 0.5 Radial Tolerance: +/- .005
Height	13.000	
Width	53.375	
Depth	23.000	
Material	SS 304	DRAWN BY: Todd Stone

CROWN VERITY

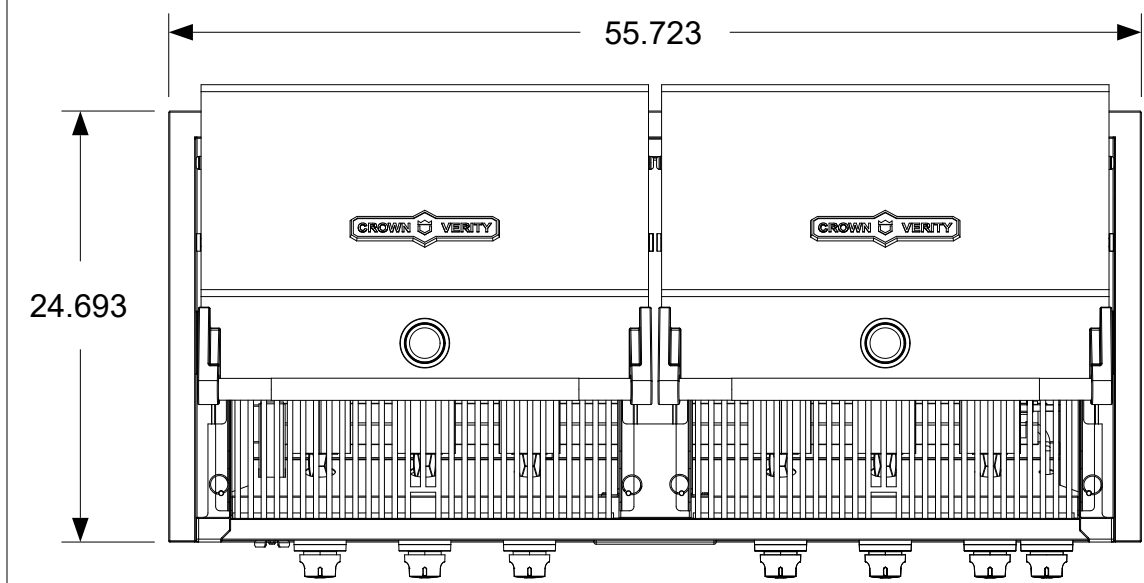
37 Adams Blvd., Brantford, Ontario, N3S 7V8
P: (519) 751-1800 www.crownverity.com

TITLE **Infinite 48 Inch Dual Dome Built-in Grill with Dome and Face Light Kit**

SIZE	Customer	DWG NO	REV
B	Crown Verity	IBI482RD(NG/LP)	-
SCALE	1:11	01/16/2020	SHEET 1 of 3

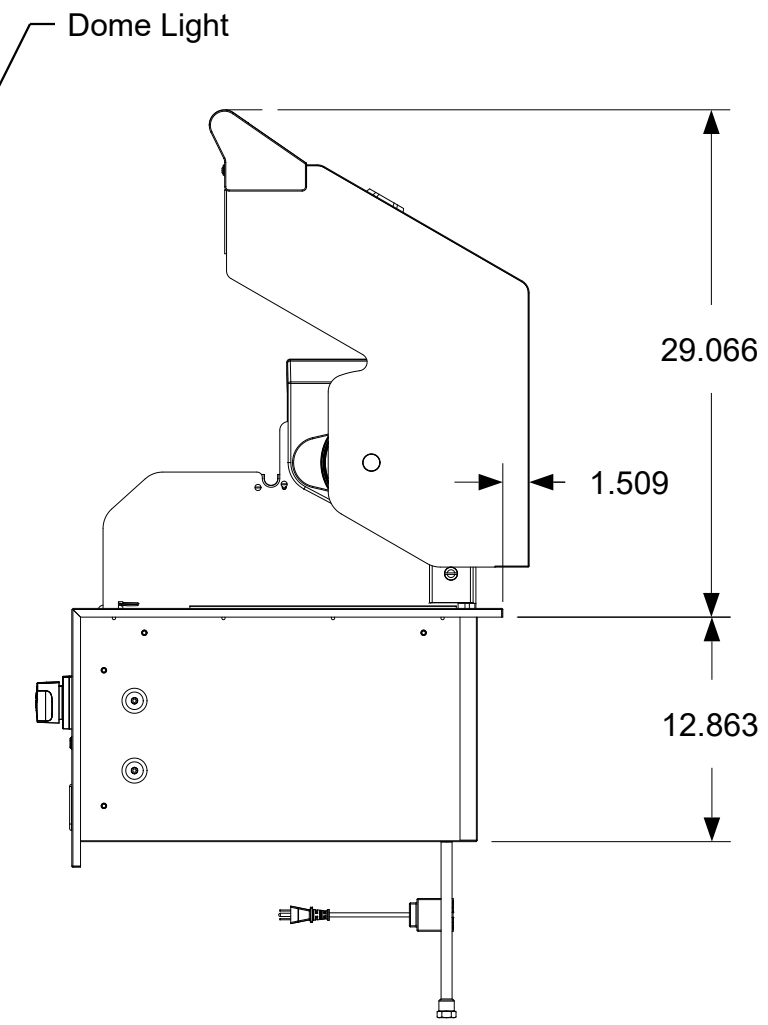
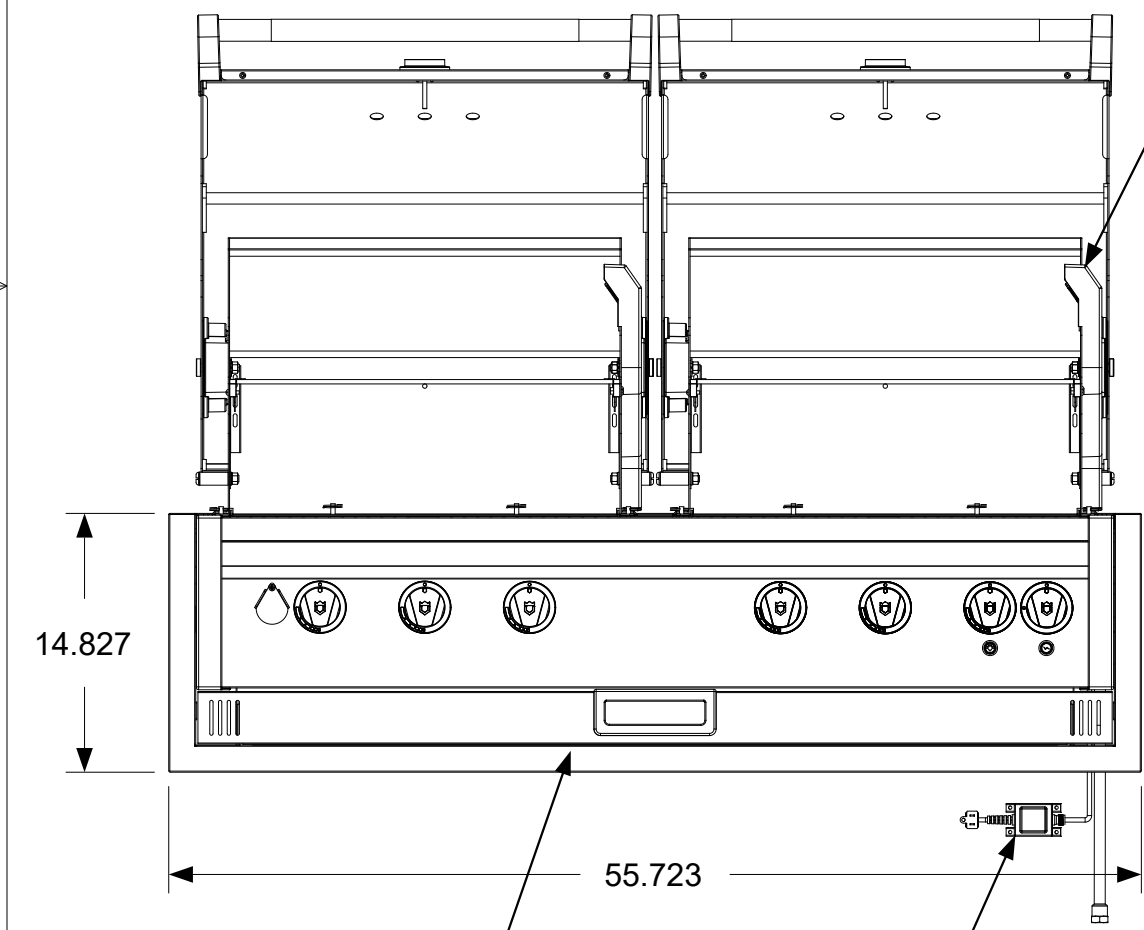
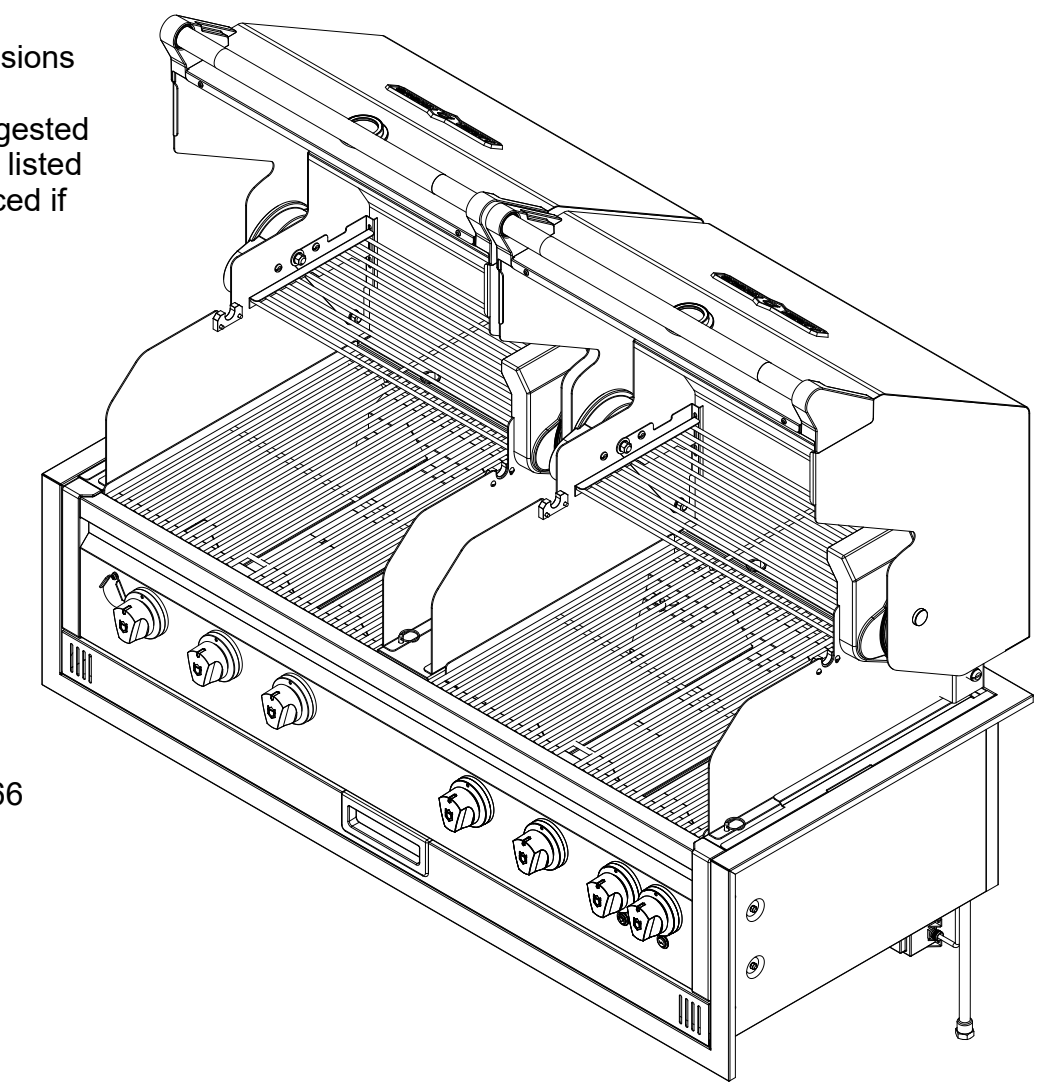
REVISION HISTORY

REV	DESCRIPTION	DATE	APPROVED
-	Engineering Release	01/16/2020	Todd Stone



The dimensions shown are the actual physical dimensions of the grill. Additional clearances to cabinetry are dependent on the tolerances of the cut-out. The suggested cut-out dimensions for the insulated jacket option are listed in the chart below but these dimensions can be reduced if the tolerances are controlled.

Please refer to the installation manual for additional clearances to combustibles.



Images shown with optional IBI482RDFDLT light kit



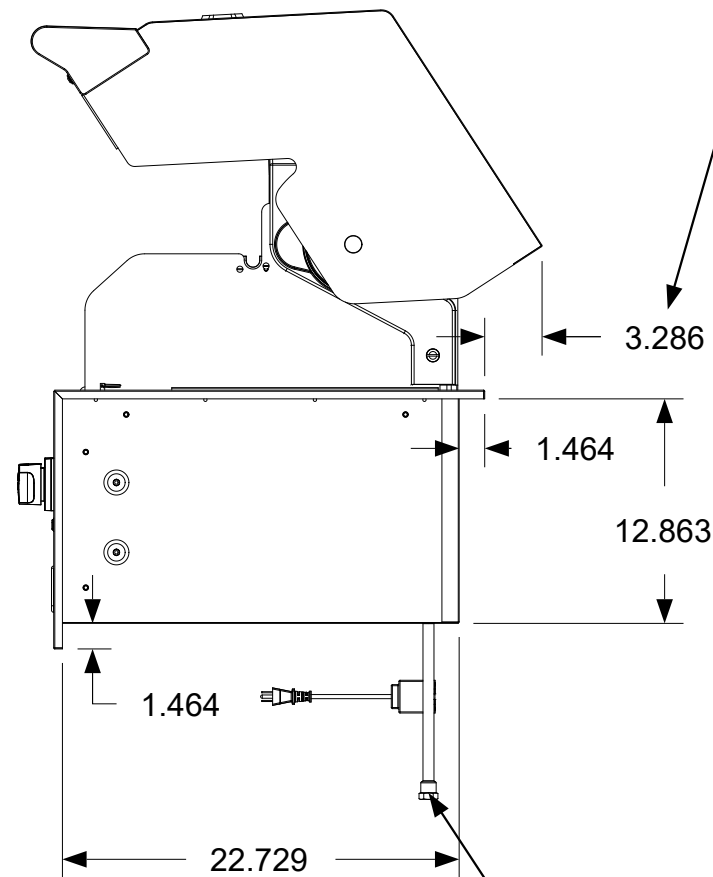
37 Adams Blvd., Brantford, Ontario, N3S 7V8
P: (519) 751-1800 www.crownverity.com

Suggested Cut-out Dimensions		Dimensions are in inches Linear Tolerance: +/- .015 Bend Tolerance: +/- .020 Angular Tolerance: +/- 0.5 Radial Tolerance: +/- .005
Height	13.000	
Width	53.375	
Depth	23.000	
Material	SS 304	DRAWN BY: Todd Stone

TITLE				Infinite 48 Inch Dual Dome Built-in Grill with Dome and Face Light Kit	
SIZE	Customer	DWG NO	REV		
B	Crown Verity	IBI482RD(NG/LP)	-		
SCALE	1:11	01/16/2020	SHEET	2 of 3	

REVISION HISTORY			
REV	DESCRIPTION	DATE	APPROVED
-	Engineering Release	01/16/2020	Todd Stone

This dimension is the furthest point the dome protrudes back as it opens. It is 3.286 inches further back than the rear flange of the cabinet shell.



Gas connection point for both natural gas and propane (regulator not shown)



Distance to gas and electrical connection.

Images shown with optional IBI482RDFDLT light kit

The dimensions shown are the actual physical dimensions of the grill. Additional clearances to cabinetry are dependent on the tolerances of the cut-out. The suggested cut-out dimensions are listed in the chart below but these dimensions can be reduced if the tolerances are controlled.

Please refer to the installation manual for additional clearances to combustibles.

Suggested Cut-out Dimensions		Dimensions are in inches Linear Tolerance: +/- .015 Bend Tolerance: +/- .020 Angular Tolerance: +/- 0.5 Radial Tolerance: +/- .005
Height	13.000	
Width	53.375	
Depth	23.000	
Material	SS 304	DRAWN BY: Todd Stone

CROWN VERITY

37 Adams Blvd., Brantford, Ontario, N3S 7V8
P: (519) 751-1800 www.crownverity.com

TITLE **Infinite 48 Inch Dual Dome Built-in Grill with Dome and Face Light Kit**

SIZE B	Customer Crown Verity	DWG NO IBI482RD(NG/LP)	REV -
SCALE 1:11	01/16/2020	SHEET 3 of 3	