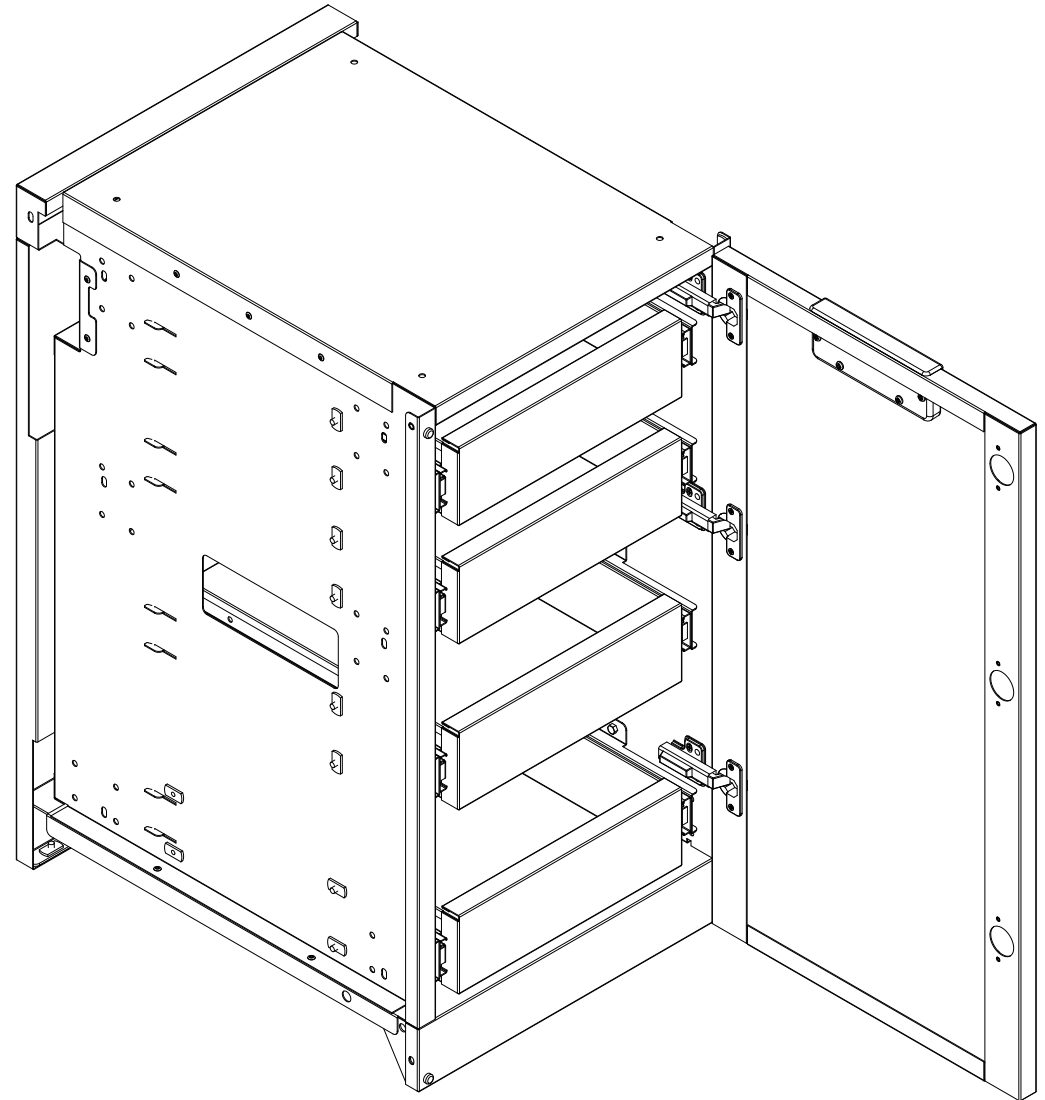
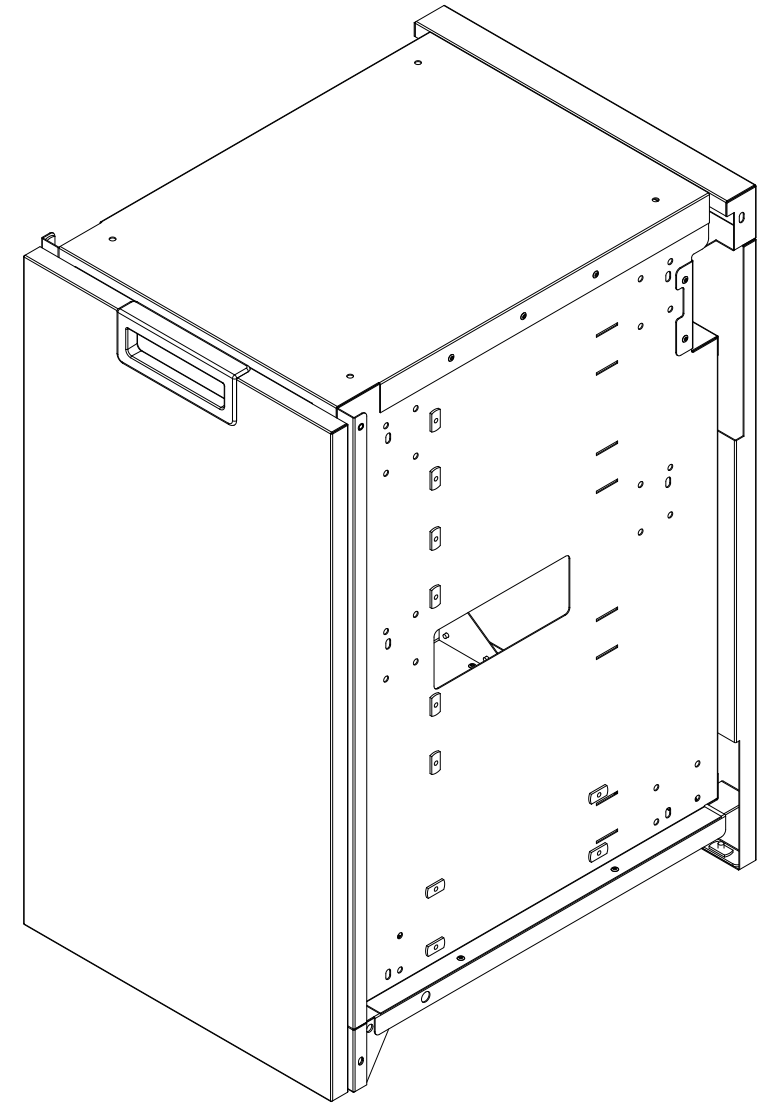
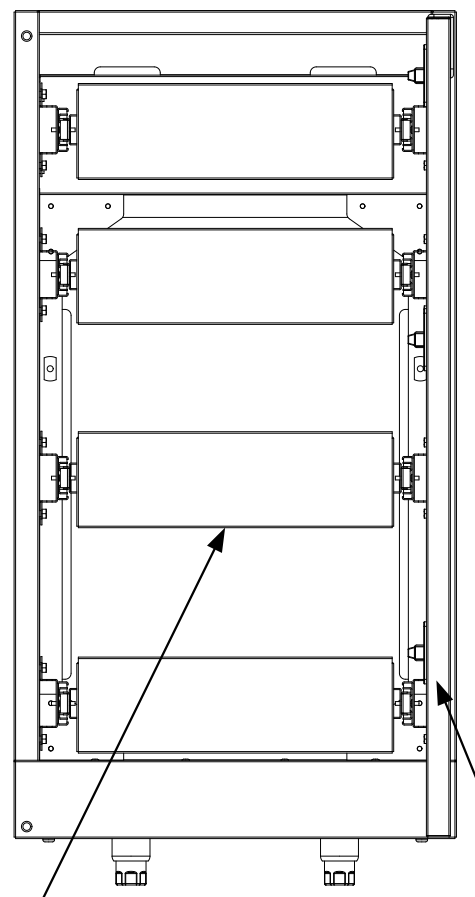


REVISION HISTORY			
REV	DESCRIPTION	DATE	APPROVED
-	Engineering Release	01/01/2020	Todd Stone



Open storage area with the four drawer option is shown. Other drawer configurations are available.



Door shown with righthand mounting option. Door hardware can be switched for lefthand mount.

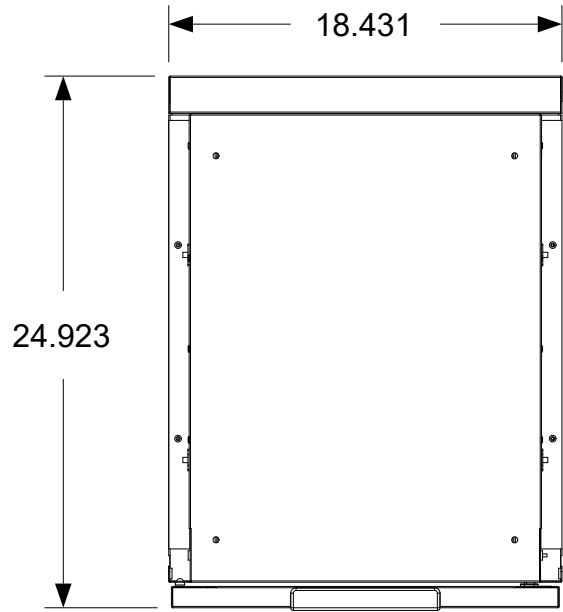
CROWN VERITY

37 Adams Blvd., Brantford, Ontario, N3S 7V8
P: (519) 751-1800 www.crownverity.com

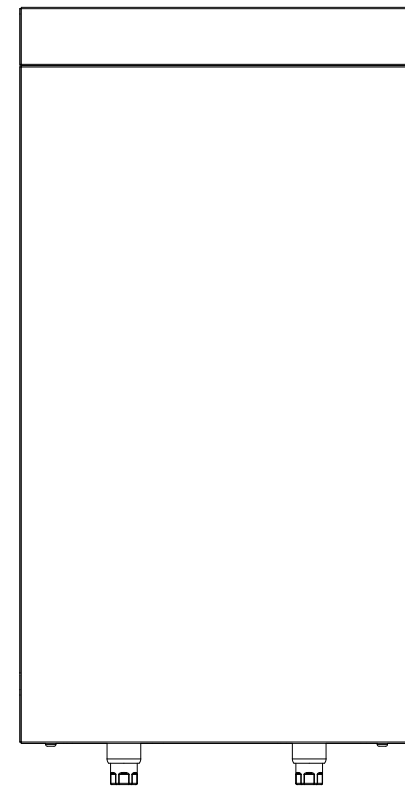
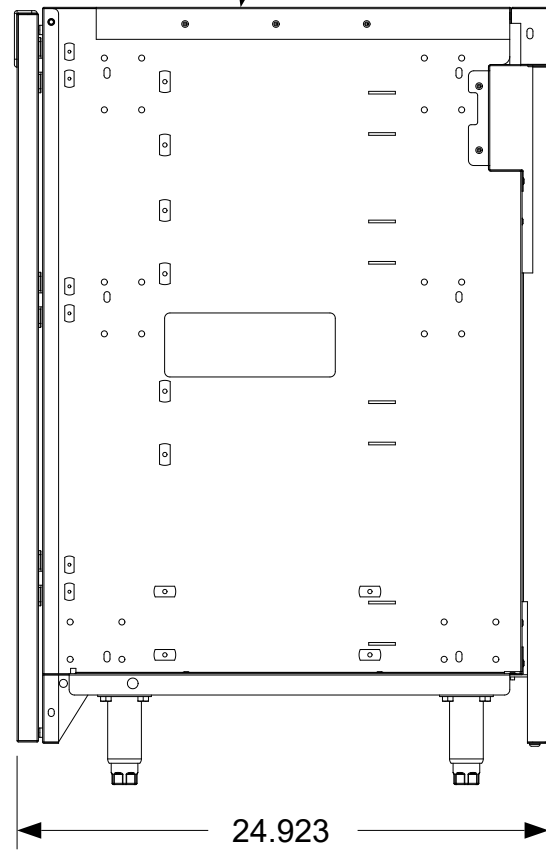
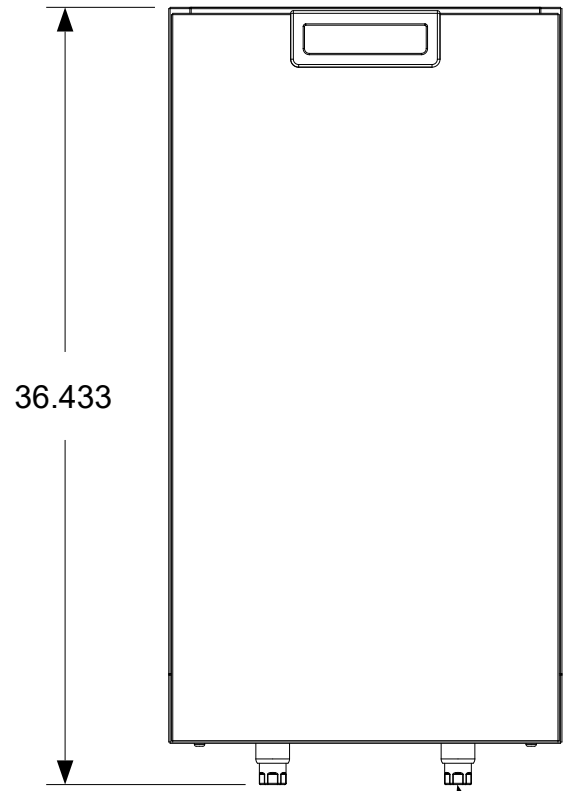
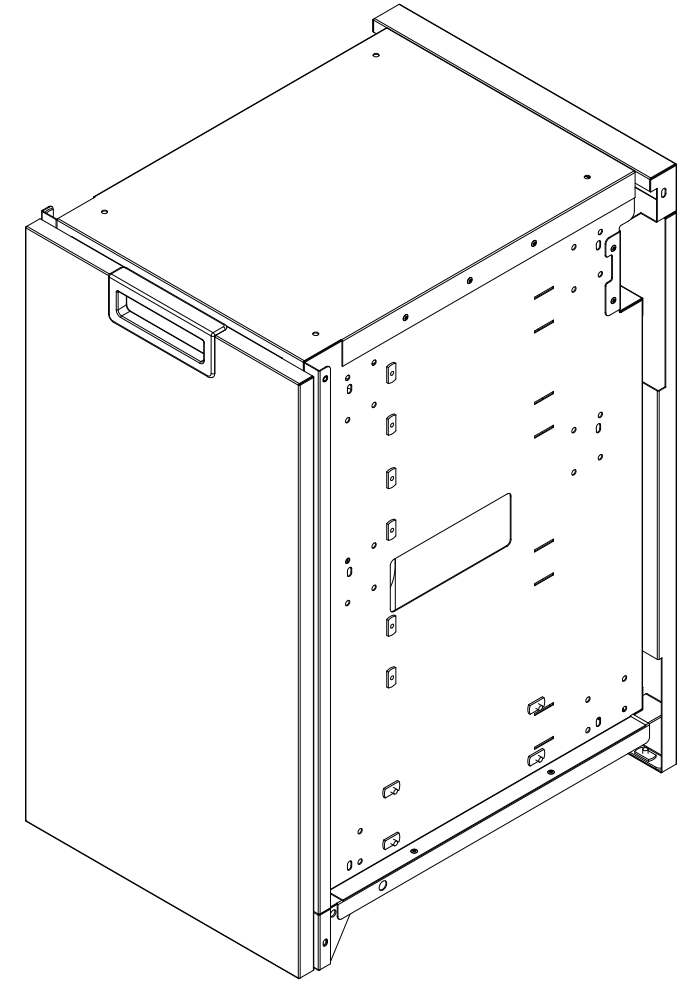
Gauge	N/A	Dimensions are in inches Linear Tolerance: +/- .015 Bend Tolerance: +/- .020 Angular Tolerance: +/- 0.5 Radial Tolerance: +/- .005
Weight (Kg)	N/A	
K Factor	N/A	
Finish	#4	
Material	SS 304	
DRAWN BY: Todd Stone		

TITLE Infinite Series Cabinet Module with Four Drawers			
SIZE	Customer	DWG NO	REV
B	Crown Verity	ICM-4D	-
SCALE	1:8	01/01/2020	SHEET 1 of 2

REVISION HISTORY			
REV	DESCRIPTION	DATE	APPROVED
-	Engineering Release	01/01/2020	Todd Stone



The top of the cabinet has been recessed one inch below the grill, side burner and sink modules to accommodate a one inch thick countertop material to be supplied by the customer.



Removable Back Panel

Adjustable leveling leg shown at lowest setting. Adjustment range is 2.125 inches.

Gauge	N/A	Dimensions are in inches Linear Tolerance: +/- .015 Bend Tolerance: +/- .020 Angular Tolerance: +/- 0.5 Radial Tolerance: +/- .005
Weight (Kg)	N/A	
K Factor	N/A	
Finish	#4	
Material	SS 304	
DRAWN BY: Todd Stone		

CROWN VERITY

37 Adams Blvd., Brantford, Ontario, N3S 7V8
P: (519) 751-1800 www.crownverity.com

TITLE **Infinite Series Cabinet Module with Four Drawers**

SIZE	Customer	DWG NO	REV
B	Crown Verity	ICM-4D	-
SCALE	1:9	01/01/2020	SHEET 2 of 2