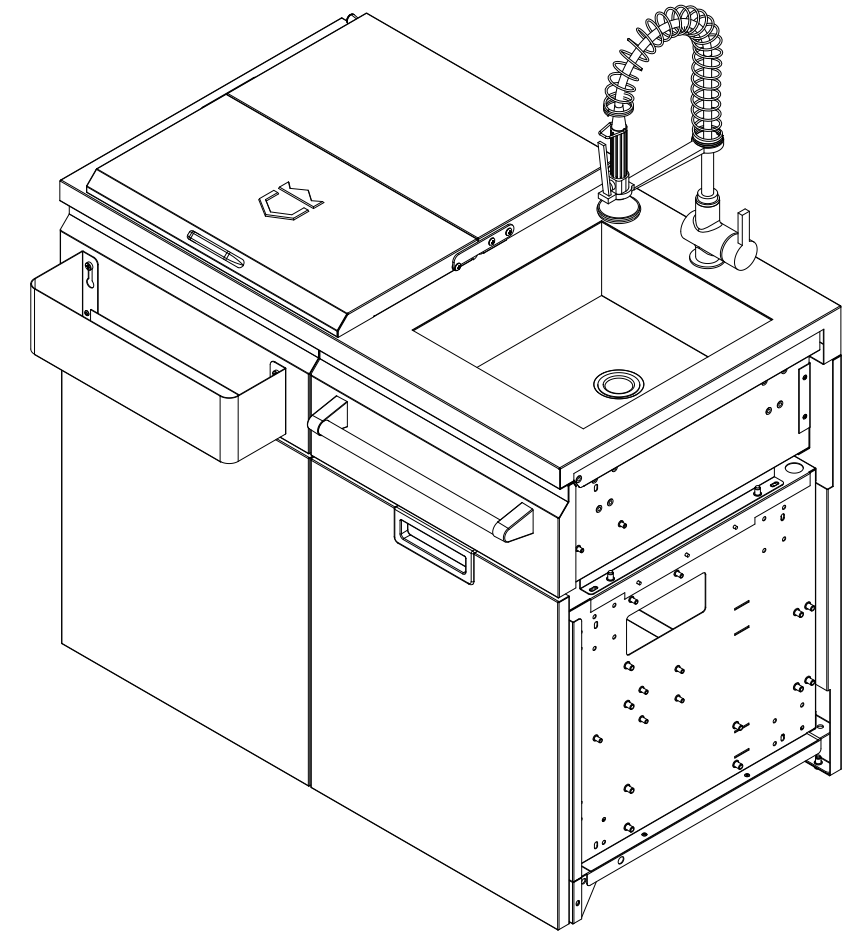
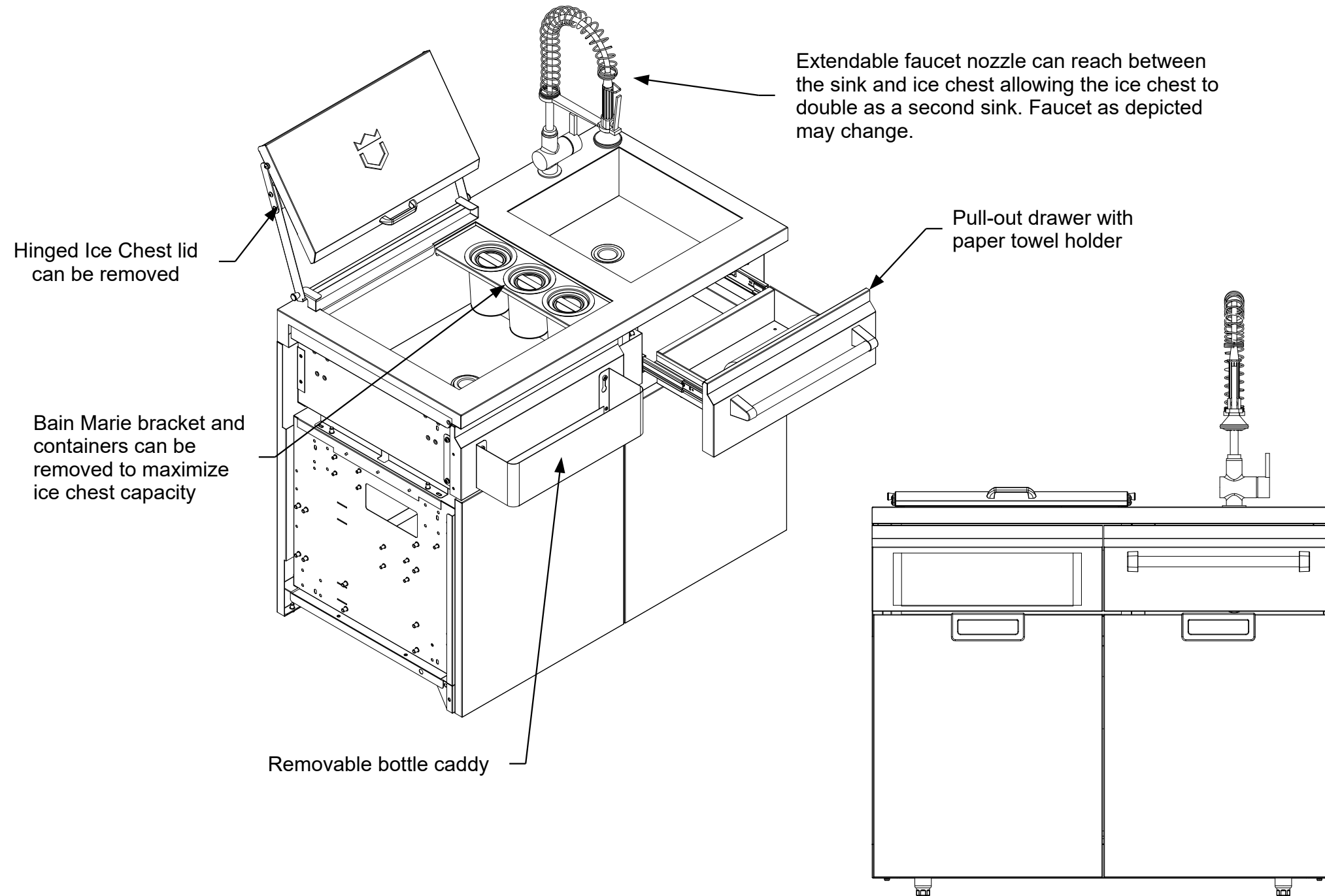


REVISION HISTORY			
REV	DESCRIPTION	DATE	APPROVED
00	Engineering Release	02/07/2024	Todd Stone



CROWN VERITY

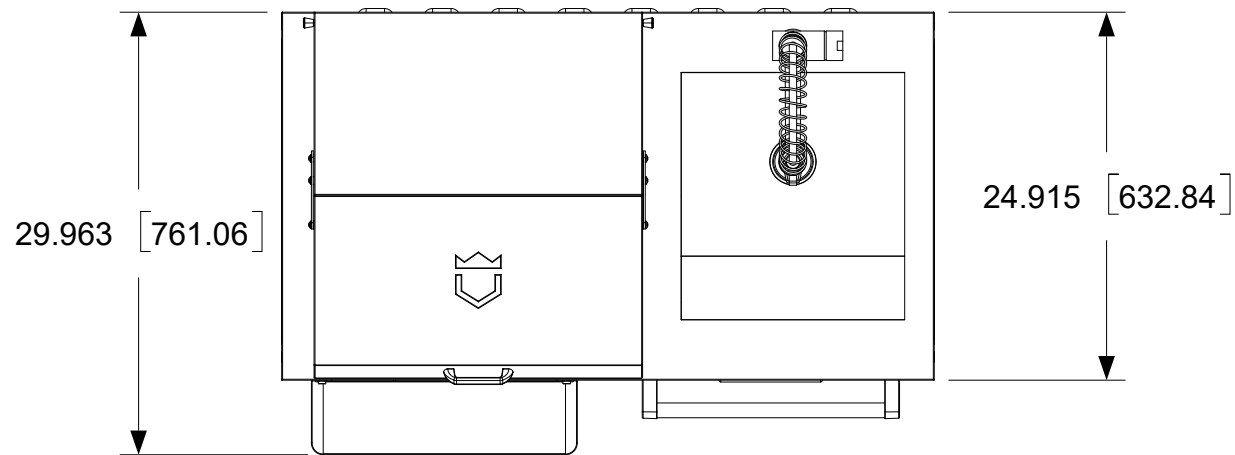
37 Adams Blvd., Brantford, Ontario, N3S 7V8
P: (519) 751-1800 www.crownverity.com

TITLE **Infinite Modular Beverage Center
42 Inch**

Gauge	N/A	Dimensions are in inches Linear Tolerance: +/- .015 Bend Tolerance: +/- .020 Angular Tolerance: +/- 0.5 Radial Tolerance: +/- .005
Weight (lbs.)	NA	
K Factor	N/A	
Finish	#4	
Material	SS 304	
DRAWN BY: Todd Stone		

SIZE	Customer	DWG NO	REV
B	Crown Verity	IBC42	00
SCALE	1 : 12	02/07/2024	SHEET 1 of 4

REVISION HISTORY			
REV	DESCRIPTION	DATE	APPROVED
00	Engineering Release	02/07/2024	Todd Stone

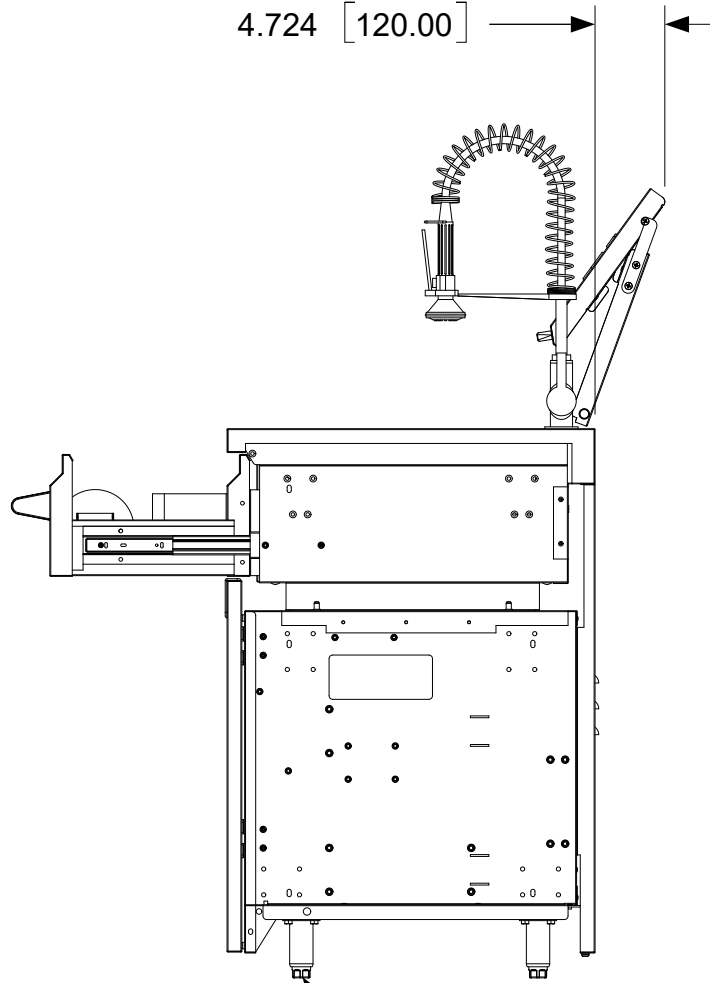
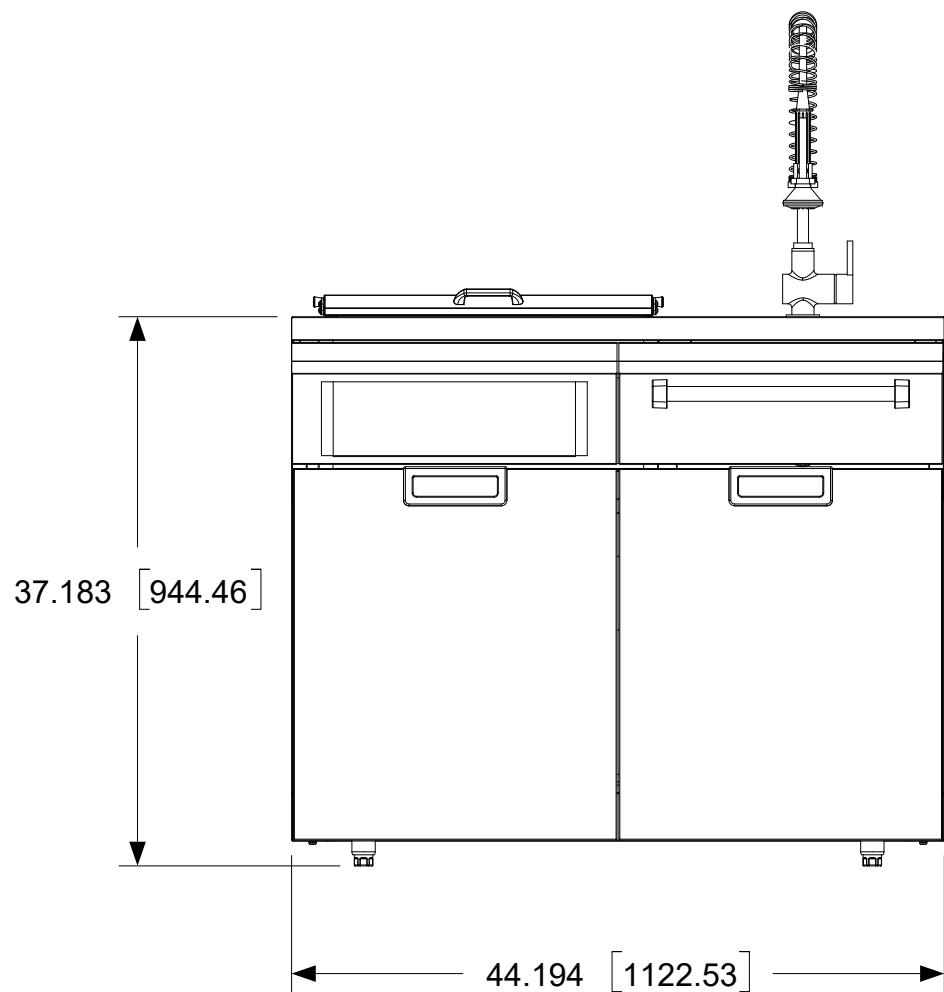
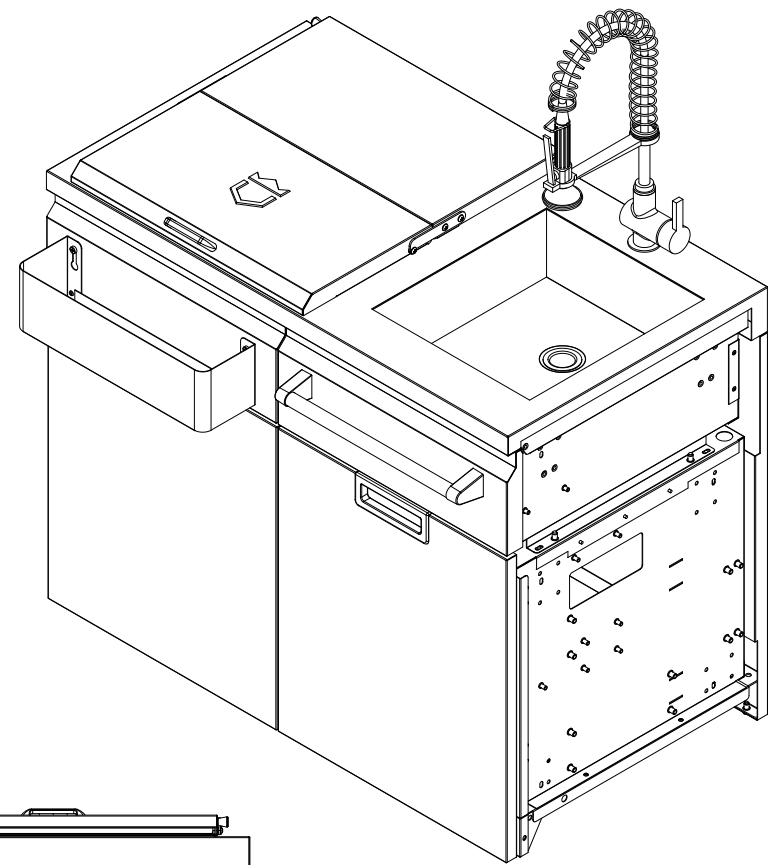


Estimated height above counter top. Standard faucet offering TBD. Customer supplied faucet height will vary.

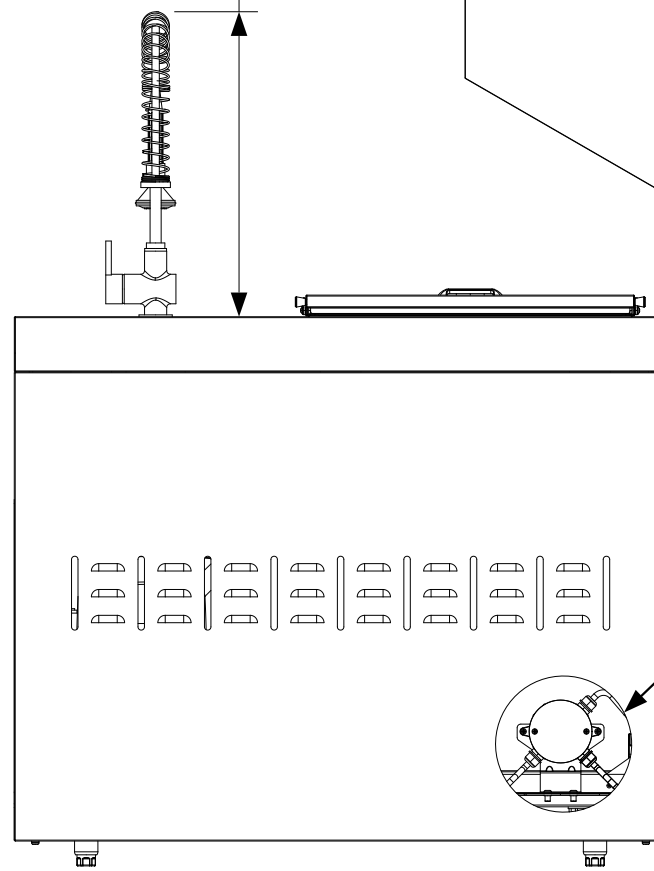
Distance hinged lid swings back from rear of cabinet

4.724 [120.00]

20.650 [524.51]



Adjustable leveling leg shown at lowest setting. Adjustment range is 2.125 inches.



The junction box for electrical connections is located behind the removable back panel. A section of the back panel has been removed for clarity.

CROWN VERITY

37 Adams Blvd., Brantford, Ontario, N3S 7V8
P: (519) 751-1800 www.crownverity.com

TITLE **Infinite Modular Beverage Center
42 Inch**

Gauge	N/A	Dimensions are in inches Linear Tolerance: +/- .015 Bend Tolerance: +/- .020 Angular Tolerance: +/- 0.5 Radial Tolerance: +/- .005
Weight (lbs.)	NA	
K Factor	N/A	
Finish	#4	
Material	SS 304	
DRAWN BY: Todd Stone		

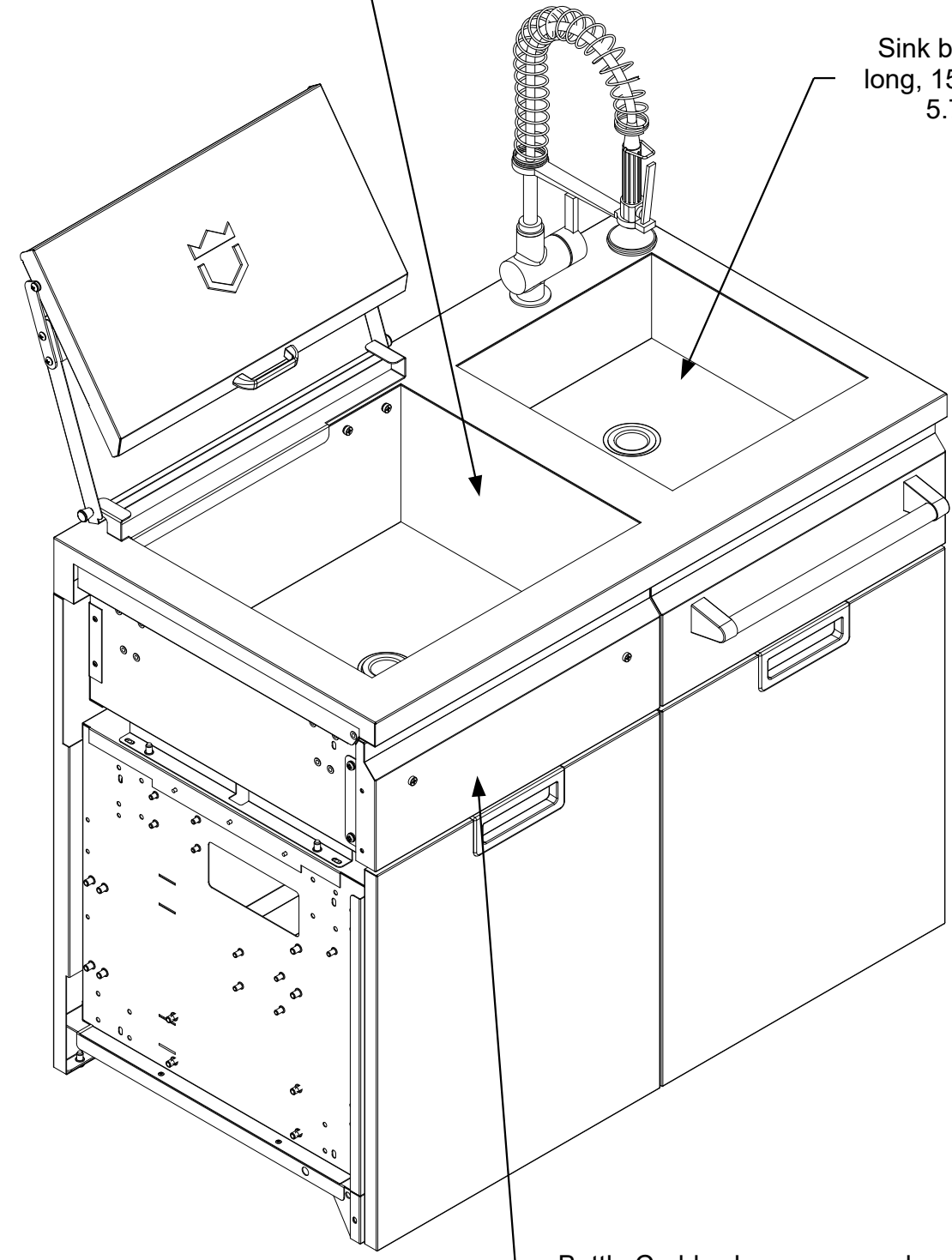
SIZE	Customer	DWG NO	REV
B	Crown Verity	IBC42	00
SCALE	1 : 13	02/07/2024	SHEET 2 of 4

REVISION HISTORY

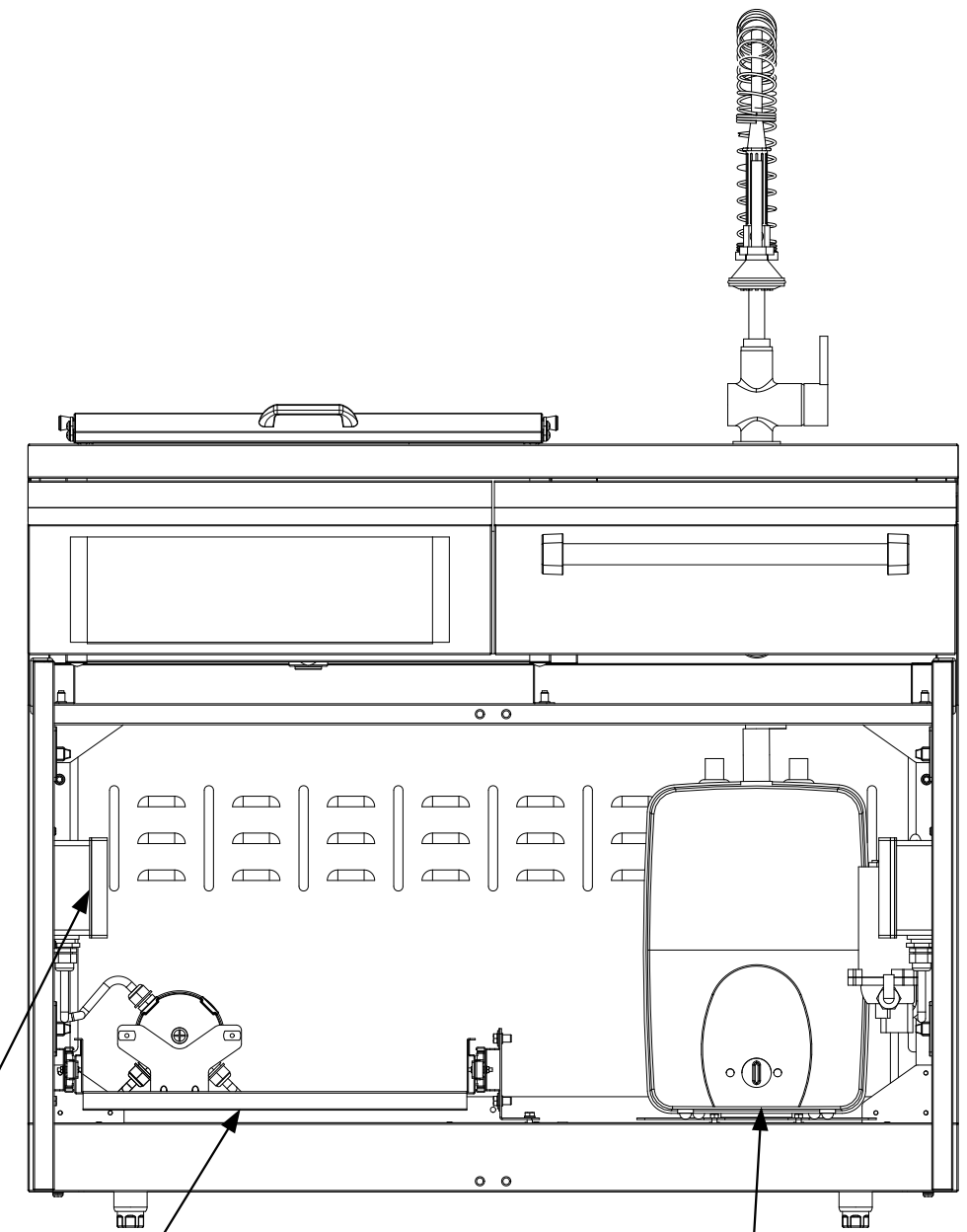
REV	DESCRIPTION	DATE	APPROVED
00	Engineering Release	02/07/2024	Todd Stone

Bain Marie bins can be removed to maximize the volume of the ice chest. The ice chest is 18.625 inches long, 15.313 inches wide which increases to 20.813 inches with the Bain Marie bins removed. The depth is 9.250 inches.

Sink bowl is 16.750 inches long, 15.125 inches wide and 5.750 inches deep



Bottle Caddy shown removed.



Duplex receptacle for ice maker

Pull-out shelf for portable ice maker or other appliances.

Beverage center is available with all of our sink options including the hot water tank, and water pump for auxiliary tank connections.

CROWN VERITY

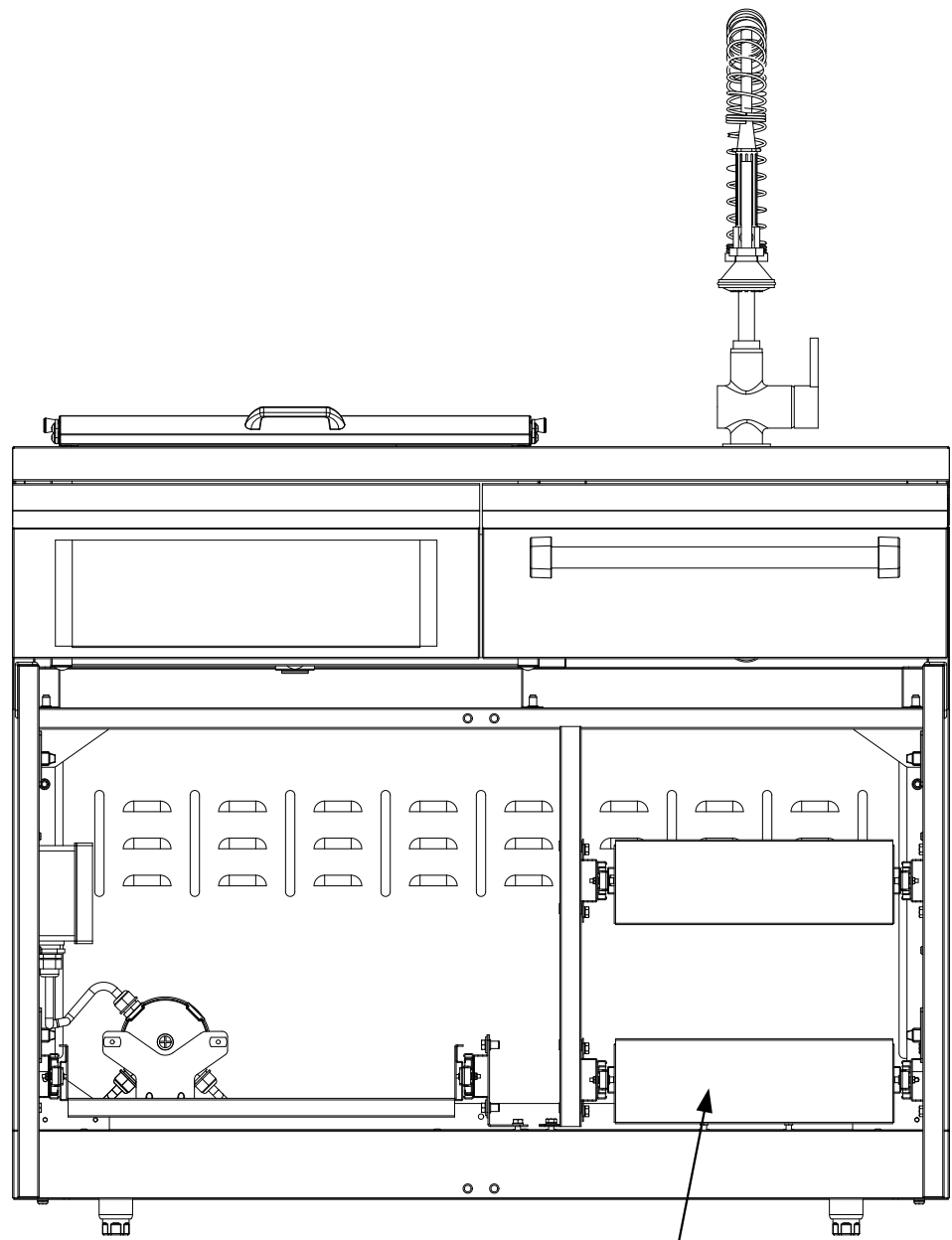
37 Adams Blvd., Brantford, Ontario, N3S 7V8
P: (519) 751-1800 www.crownverity.com

TITLE **Infinite Modular Beverage Center
42 Inch**

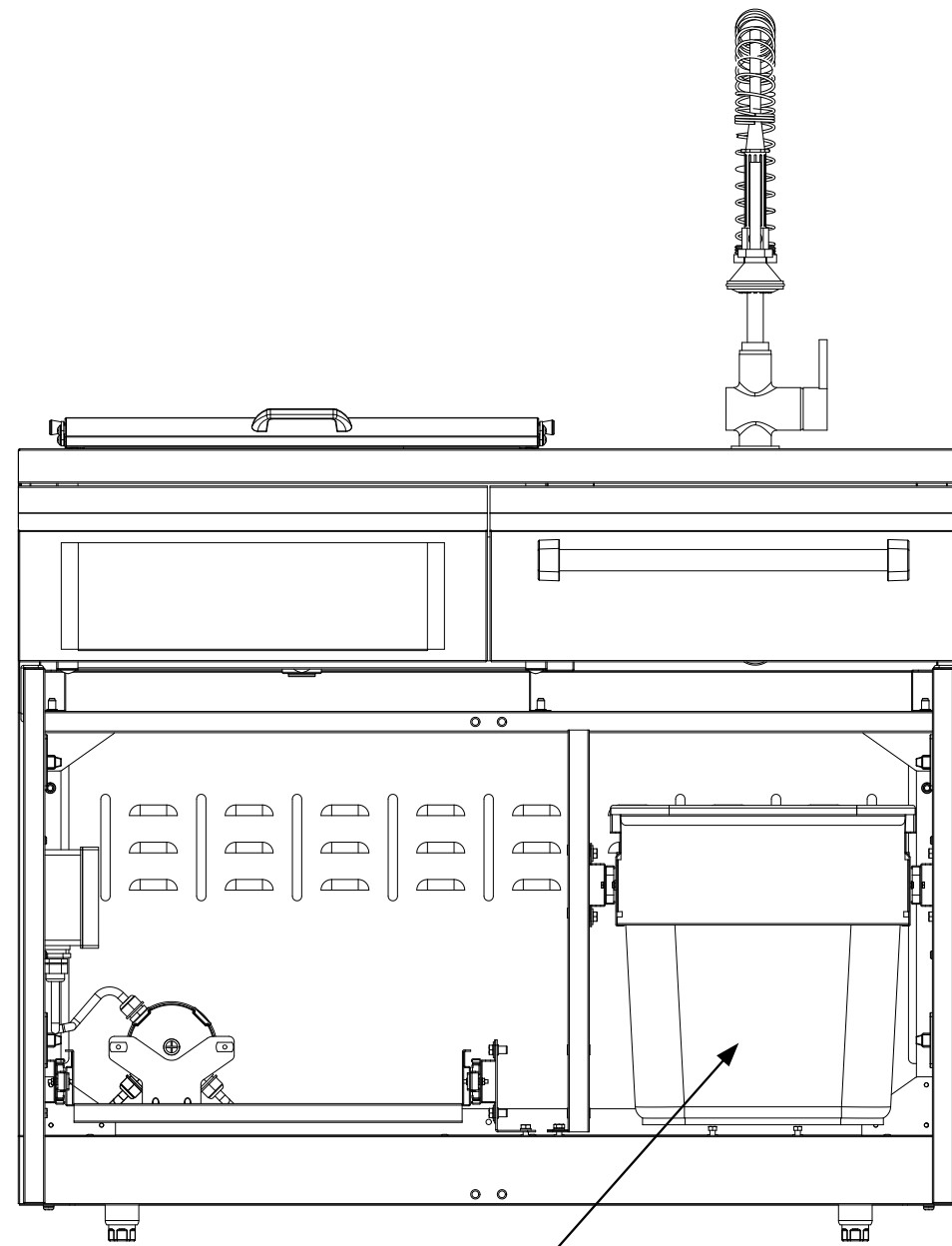
Gauge	N/A	Dimensions are in inches Linear Tolerance: +/- .015 Bend Tolerance: +/- .020 Angular Tolerance: +/- 0.5 Radial Tolerance: +/- .005
Weight (lbs.)	NA	
K Factor	N/A	
Finish	#4	
Material	SS 304	
DRAWN BY: Todd Stone		

SIZE	Customer	DWG NO	REV
B	Crown Verity	IBC42	00
SCALE	1 : 9	02/07/2024	SHEET 3 of 4

REVISION HISTORY			
REV	DESCRIPTION	DATE	APPROVED
00	Engineering Release	02/07/2024	Todd Stone



Storage area below the grill is shown with the optional utility drawer. The cabinet can accommodate a single or dual drawer as shown.



Storage area below the grill is shown with the optional garbage drawer.

Gauge	N/A	Dimensions are in inches Linear Tolerance: +/- .015 Bend Tolerance: +/- .020 Angular Tolerance: +/- 0.5 Radial Tolerance: +/- .005
Weight (lbs.)	NA	
K Factor	N/A	
Finish	#4	
Material	SS 304	
DRAWN BY: Todd Stone		

CROWN VERITY			
37 Adams Blvd., Brantford, Ontario, N3S 7V8 P: (519) 751-1800 www.crownverity.com			
TITLE Infinite Modular Beverage Center 42 Inch			
SIZE	Customer	DWG NO	REV
B	Crown Verity	IBC42	00
SCALE	1 : 9	02/07/2024	SHEET 4 of 4