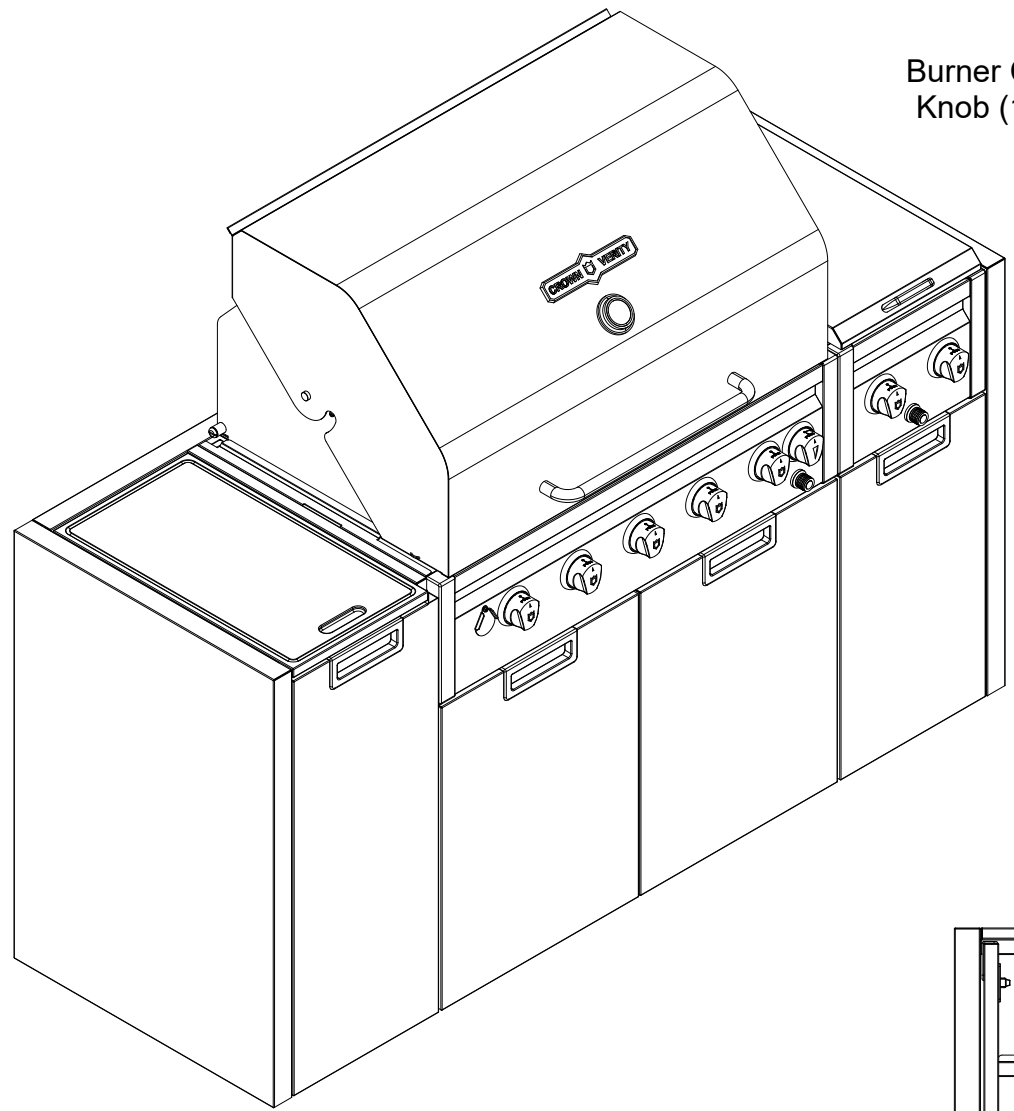
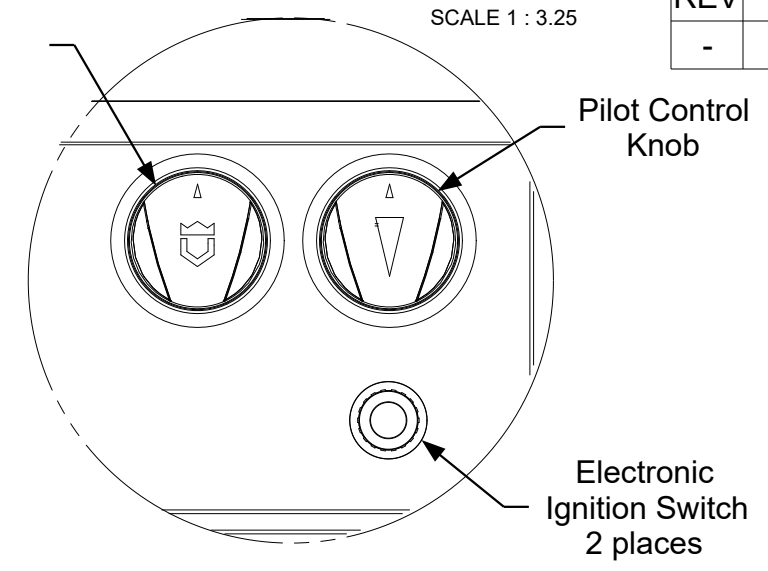


REVISION HISTORY

REV	DESCRIPTION	DATE	APPROVED
-	Engineering Release	01/01/2021	Todd Stone



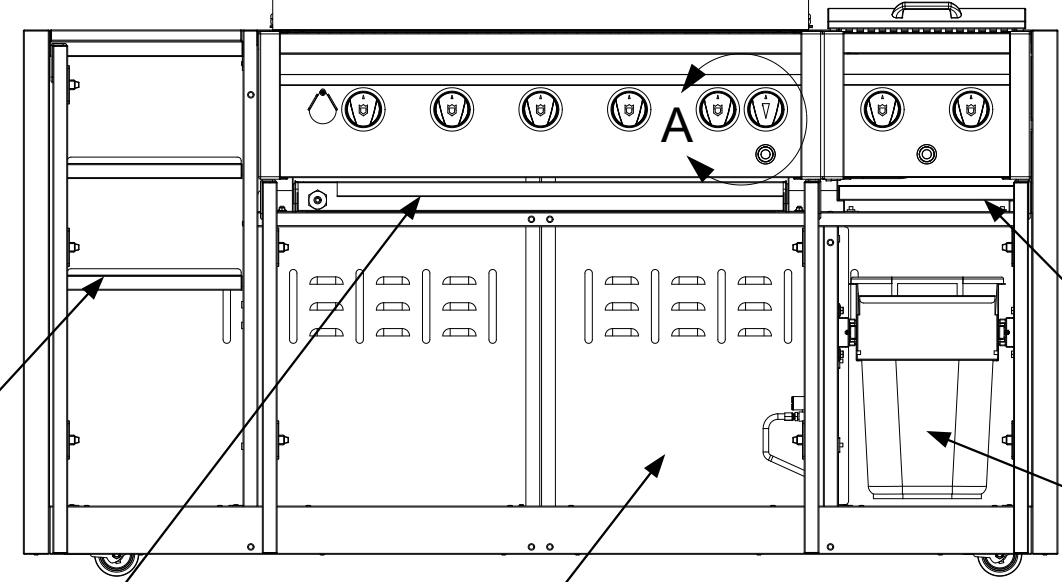
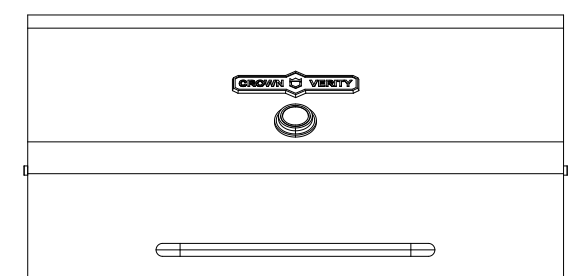
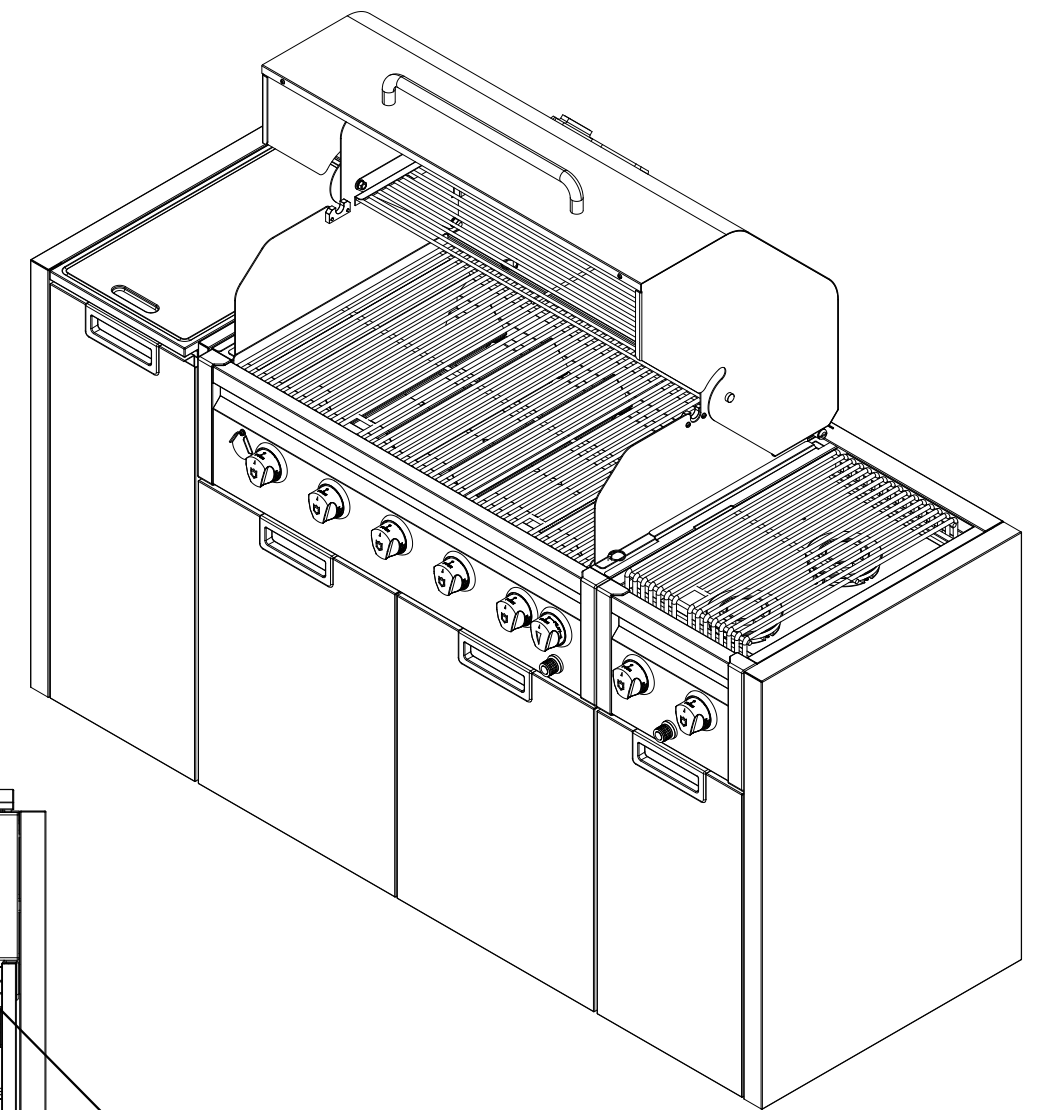
Burner Control Knob (1 of 7)



Detail A
SCALE 1 : 3.25

Pilot Control Knob

Electronic Ignition Switch
2 places



Adjustable shelves (2)

Removable Grease Tray

Storage space below grill

Removable Crumb Tray

Pull-out Garbage Drawer

CROWN VERITY

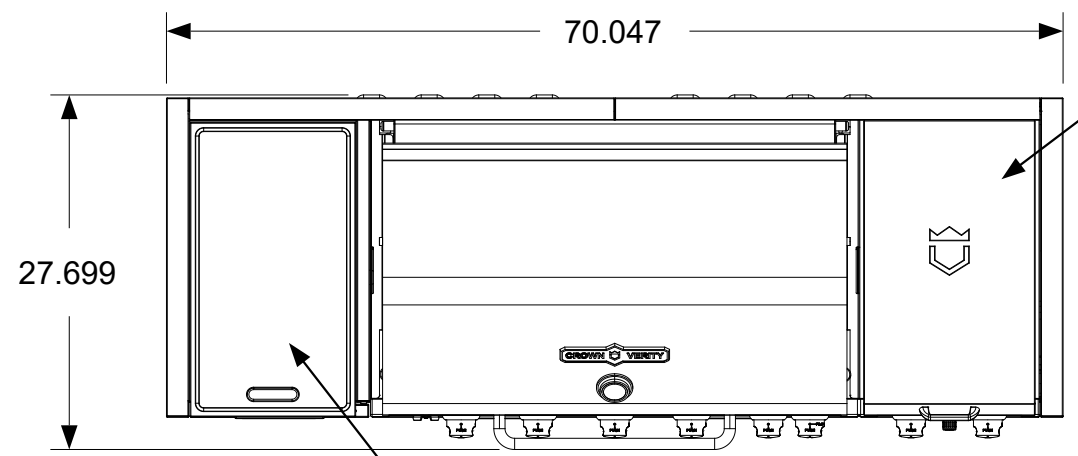
37 Adams Blvd., Brantford, Ontario, N3S 7V8
P: (519) 751-1800 www.crownverity.com

Gauge	N/A	Dimensions are in inches Linear Tolerance: +/- .015 Bend Tolerance: +/- .020 Angular Tolerance: +/- 0.5 Radial Tolerance: +/- .005
Weight (Kg)	N/A	
K Factor	N/A	
Finish	N/A	
Material	SS 304	
DRAWN BY: Todd Stone		

TITLE			
Infinite Estate 36 Inch Island Grill			
SIZE	Customer	DWG NO	REV
B	Crown Verity	IE36I(NG/LP)	-
SCALE	DATE	SHEET	1 of 3
1:13	01/01/2021		

REVISION HISTORY

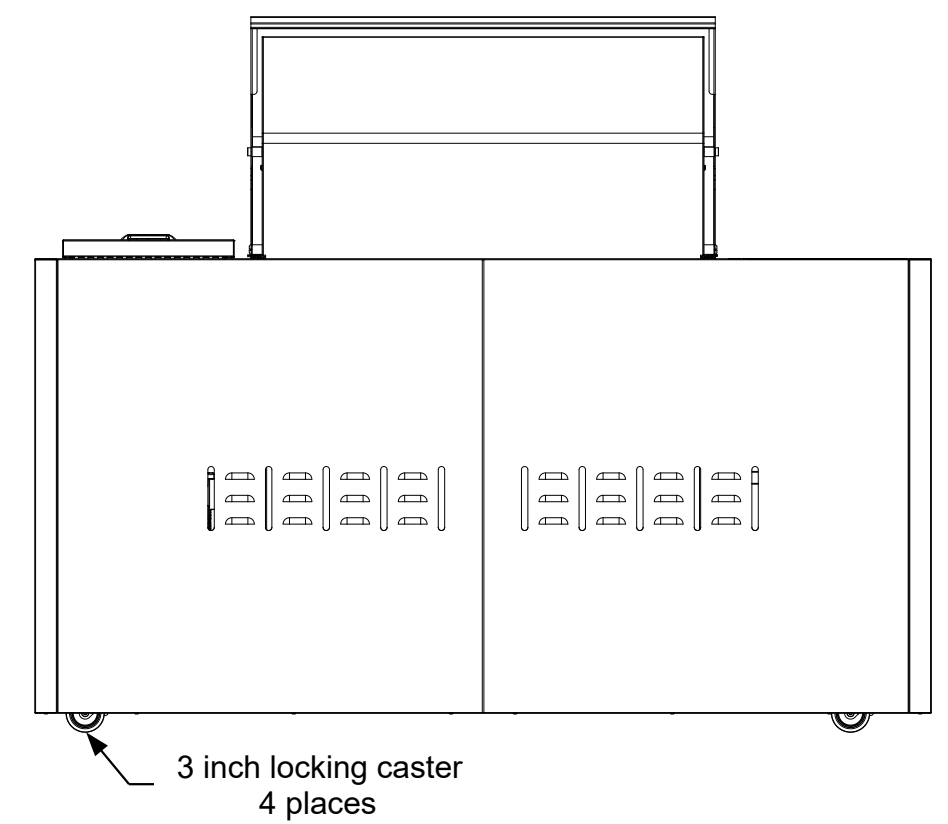
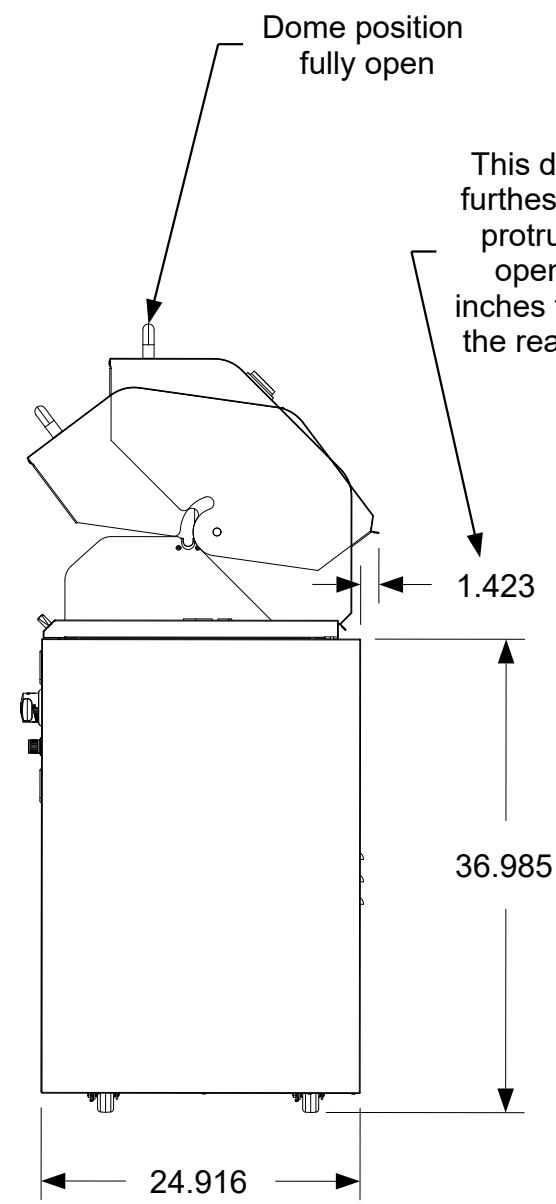
REV	DESCRIPTION	DATE	APPROVED
-	Engineering Release	01/01/2021	Todd Stone



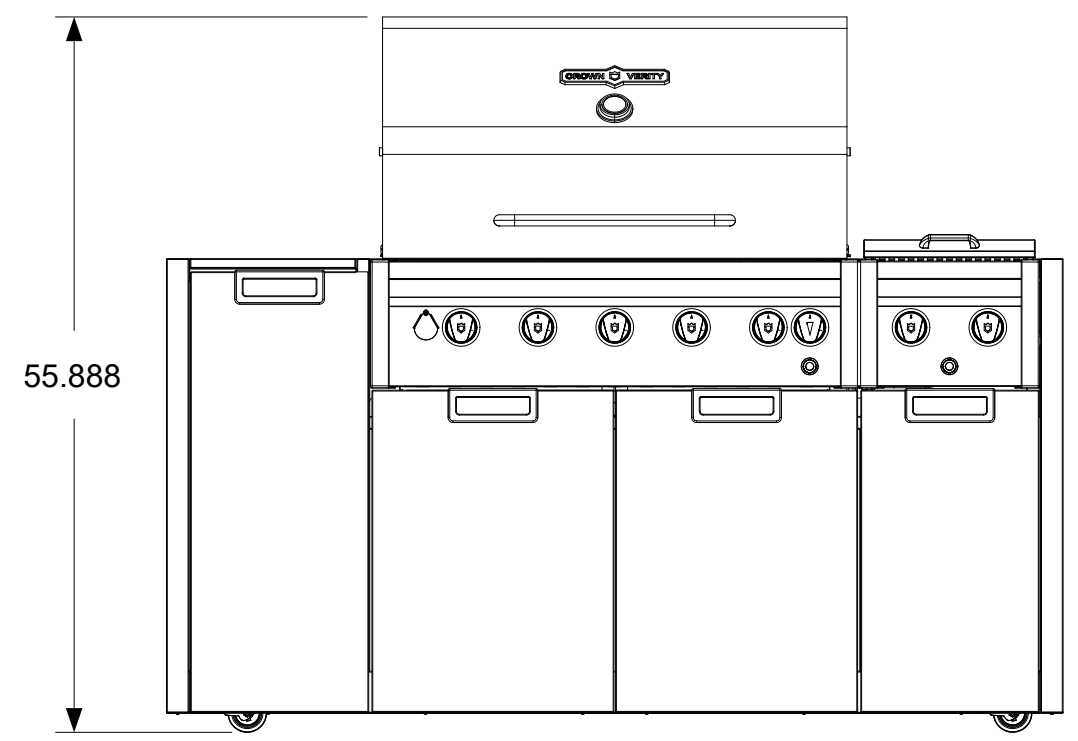
Removable Weather Cover for Side Burner

Dome position fully open

This dimension is the furthest point the dome protrudes back as it opens. It is 1.423 inches further back than the rear of the cabinet.



3 inch locking caster
4 places



CROWN VERITY

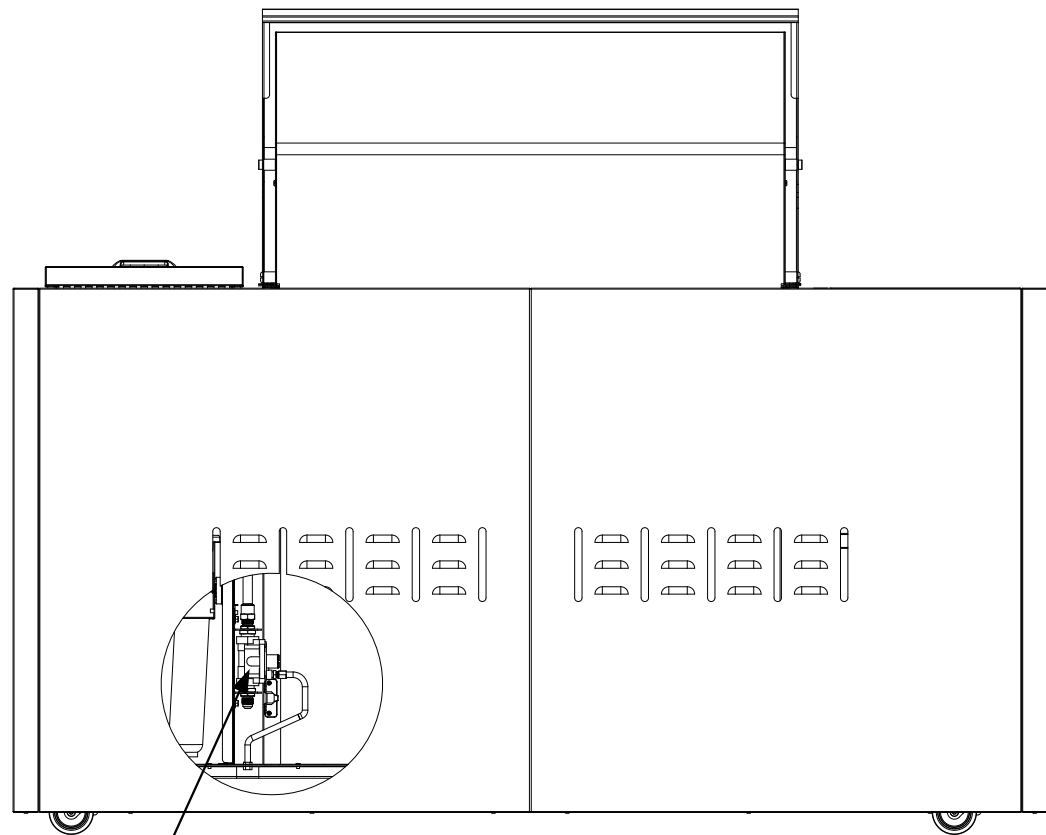
37 Adams Blvd., Brantford, Ontario, N3S 7V8
P: (519) 751-1800 www.crownverity.com

Gauge	N/A	Dimensions are in inches Linear Tolerance: +/- .015 Bend Tolerance: +/- .020 Angular Tolerance: +/- 0.5 Radial Tolerance: +/- .005
Weight (Kg)	N/A	
K Factor	N/A	
Finish	N/A	
Material	SS 304	
DRAWN BY: Todd Stone		

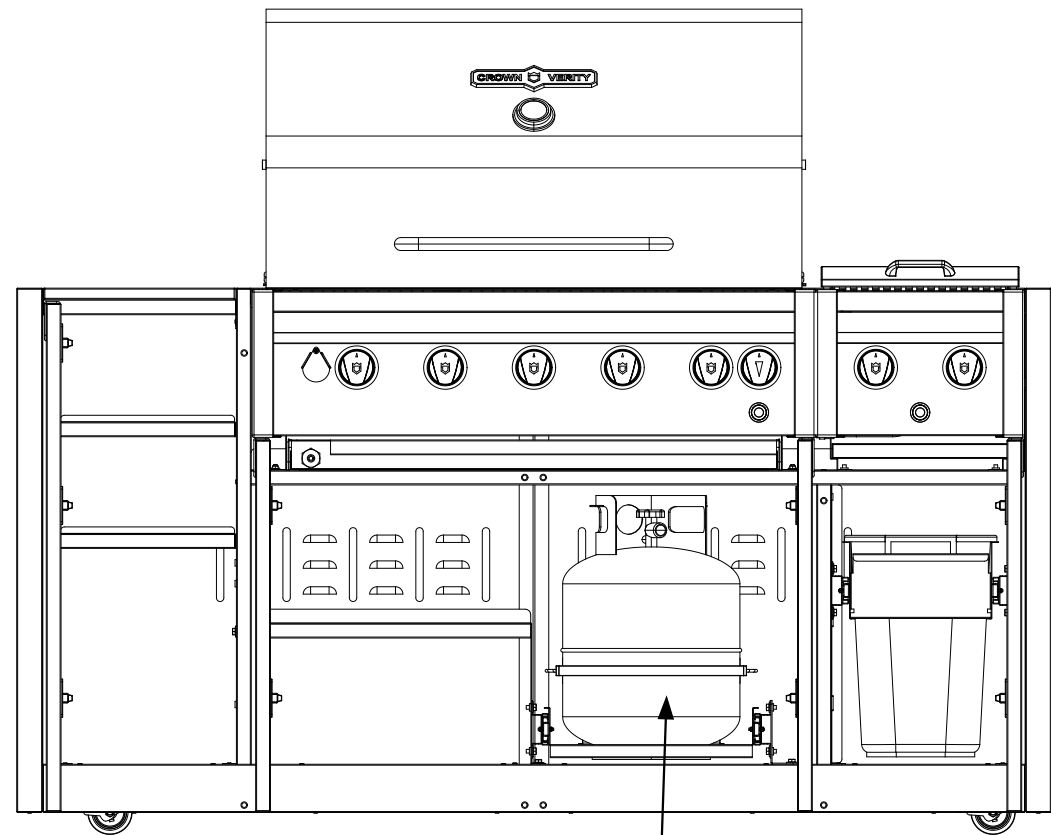
TITLE Infinite Estate 36 Inch Island Grill

SIZE	Customer	DWG NO	REV
B	Crown Verity	IE36I(NG/LP)	-
SCALE	1:15	01/01/2021	SHEET 2 of 3

REVISION HISTORY			
REV	DESCRIPTION	DATE	APPROVED
-	Engineering Release	01/01/2021	Todd Stone



Natural gas connection shown. For propane versions, bulk tank connections would also occur here. For propane versions not connected to a bulk tank, a pull-out propane drawer is factory installed along with a hose and regulator assembly to attach to a 20 lbs. propane tank (not supplied). A section of the rear of the island has been removed for clarity.



For LP applications that are not connected to a bulk supply, a pull-out propane drawer is factory installed along with a hose and regulator assembly for a 20 lbs. propane tank (not supplied). A shelf is also installed to prevent storage of a second propane tank per the residential standard for outdoor cooking appliances ANSI Z21.58-2018 and CSA 1.6-2018



37 Adams Blvd., Brantford, Ontario, N3S 7V8
P: (519) 751-1800 www.crownverity.com

Gauge	N/A	Dimensions are in inches Linear Tolerance: +/- .015 Bend Tolerance: +/- .020 Angular Tolerance: +/- 0.5 Radial Tolerance: +/- .005
Weight (Kg)	N/A	
K Factor	N/A	
Finish	N/A	
Material	SS 304	
DRAWN BY: Todd Stone		

TITLE Infinite Estate 36 Inch Island Grill			
SIZE B	Customer Crown Verity	DWG NO IE36I(NG/LP)	REV -
SCALE 1:15	01/01/2021	SHEET 3 of 3	