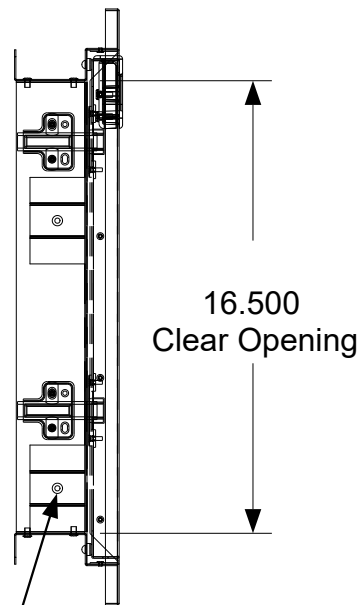
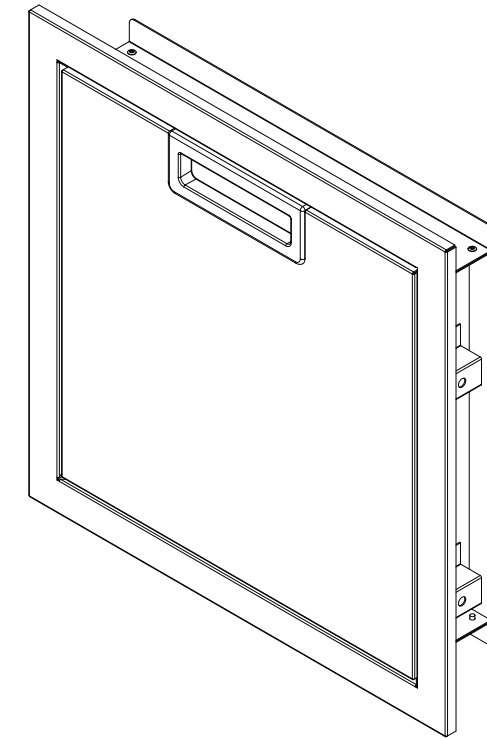
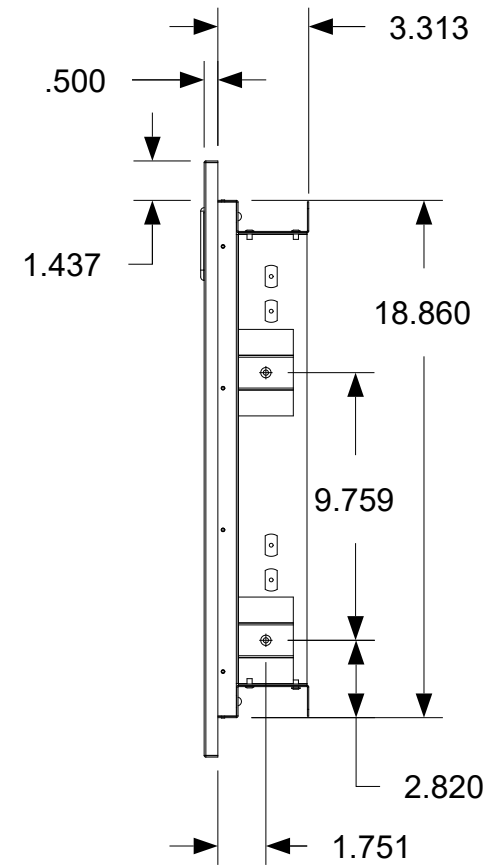
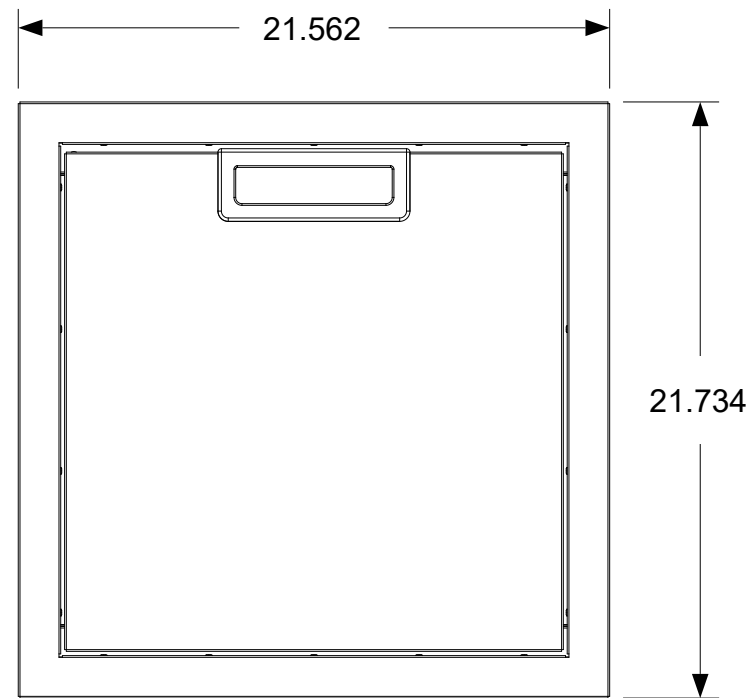
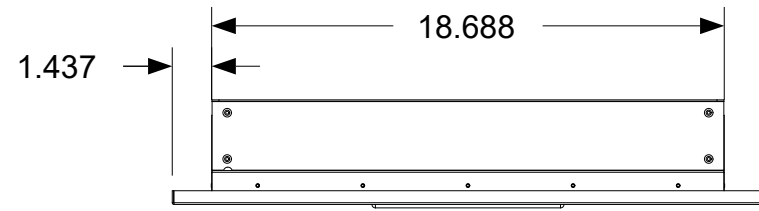
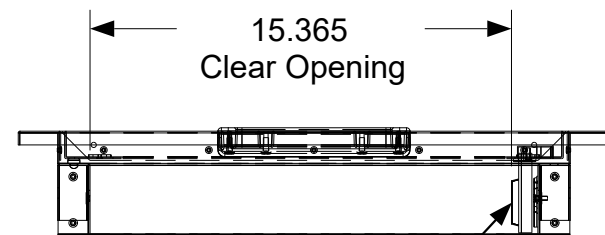


REVISION HISTORY			
REV	DESCRIPTION	DATE	APPROVED
-	Engineering Release	01/01/2020	Todd Stone



16.500  
Clear Opening

Through hole mounting  
points for frame installation.



15.365  
Clear Opening

Hinge location shown on RH side.  
Hinge can be relocated to the LH side  
for LH operation.

Dimensions shown are the actual physical dimensions. Additional clearances to the cabinetry are dependent on the tolerances of the cut-out. The suggested cut-out dimensions are listed in the chart below but these dimensions can be reduced if the tolerances are controlled. Please refer to the product manual for installation instructions.

**CROWN VERITY**

37 Adams Blvd., Brantford, Ontario, N3S 7V8  
P: (519) 751-1800 www.crownverity.com

Suggested Cut-out Dimensions		Dimensions are in inches Linear Tolerance: +/- .015 Bend Tolerance: +/- .020 Angular Tolerance: +/- 0.5 Radial Tolerance: +/- .005
Height	19.125	
Width	18.938	
Depth	3.813	
Material	SS 304	DRAWN BY: Todd Stone

TITLE			
<b>Infinite Vertical Built-in Door</b>			
SIZE	Customer	DWG NO	REV
B	Crown Verity	IBI-VD	-
SCALE	1:7	01/01/2020	SHEET 1 of 1