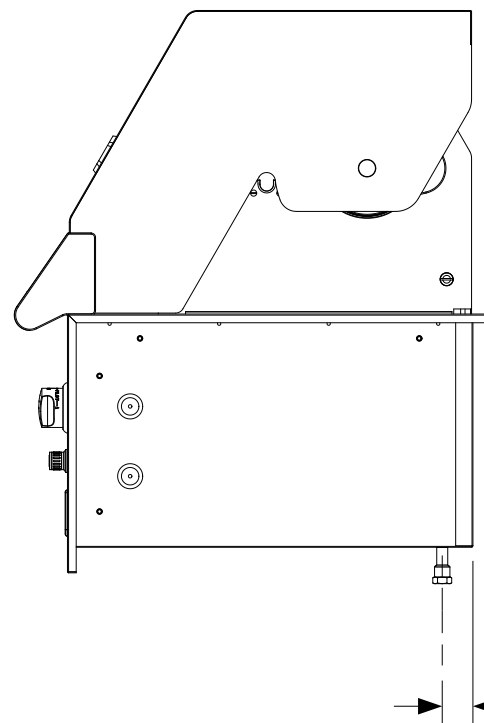
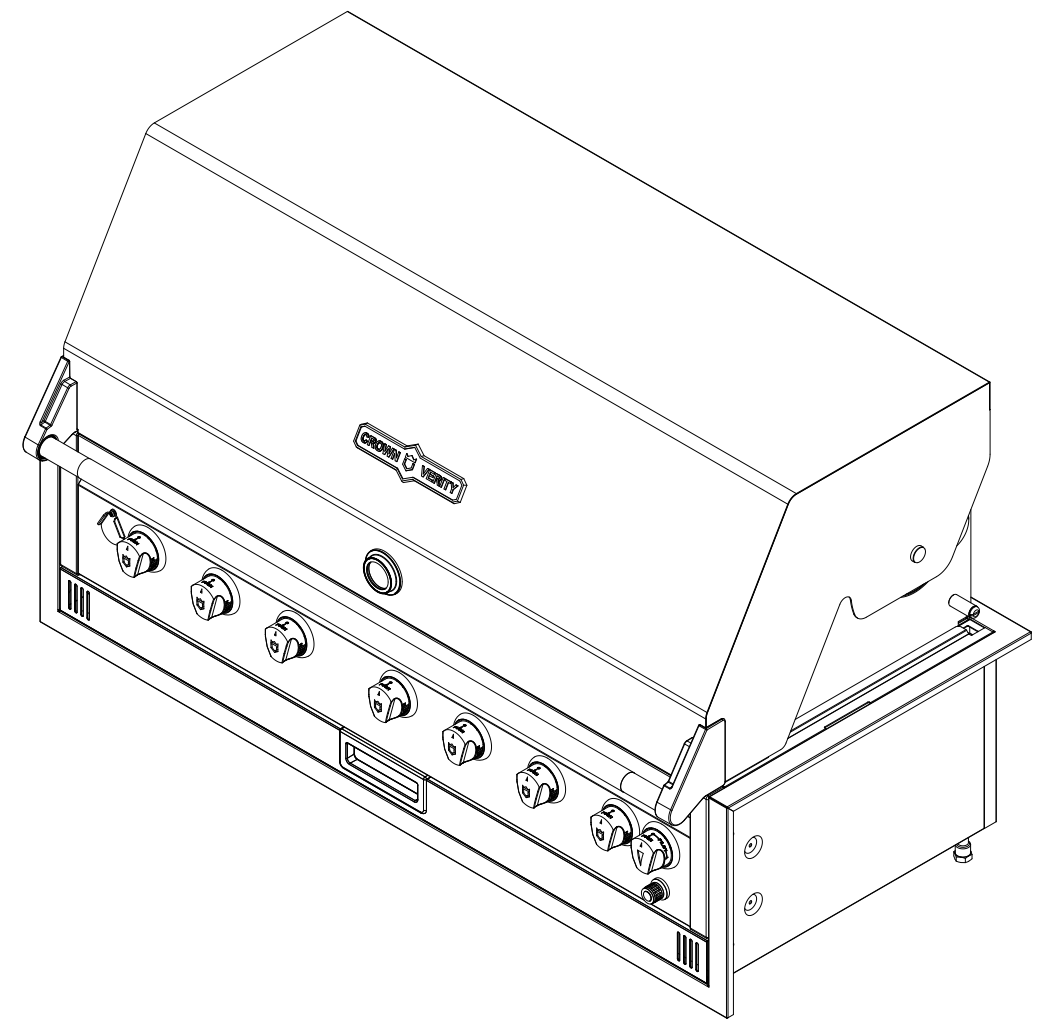


REVISION HISTORY			
REV	DESCRIPTION	DATE	APPROVED
-	Engineering Release	01/16/2020	Todd Stone



Distance to gas connections

The dimensions shown are the actual physical dimensions of the grill. Additional clearances to cabinetry are dependent on the tolerances of the cut-out. The suggested cut-out dimensions are listed in the chart below but these dimensions can be reduced if the tolerances are controlled.

Please refer to the installation manual for additional clearances to combustibles.

Suggested Cut-out Dimensions	
Height	13.000
Width	53.375
Depth	23.000
Material	SS 304

Dimensions are in inches
 Linear Tolerance: +/- .015
 Bend Tolerance: +/- .020
 Angular Tolerance: +/- 0.5
 Radial Tolerance: +/- .005

DRAWN BY: Todd Stone

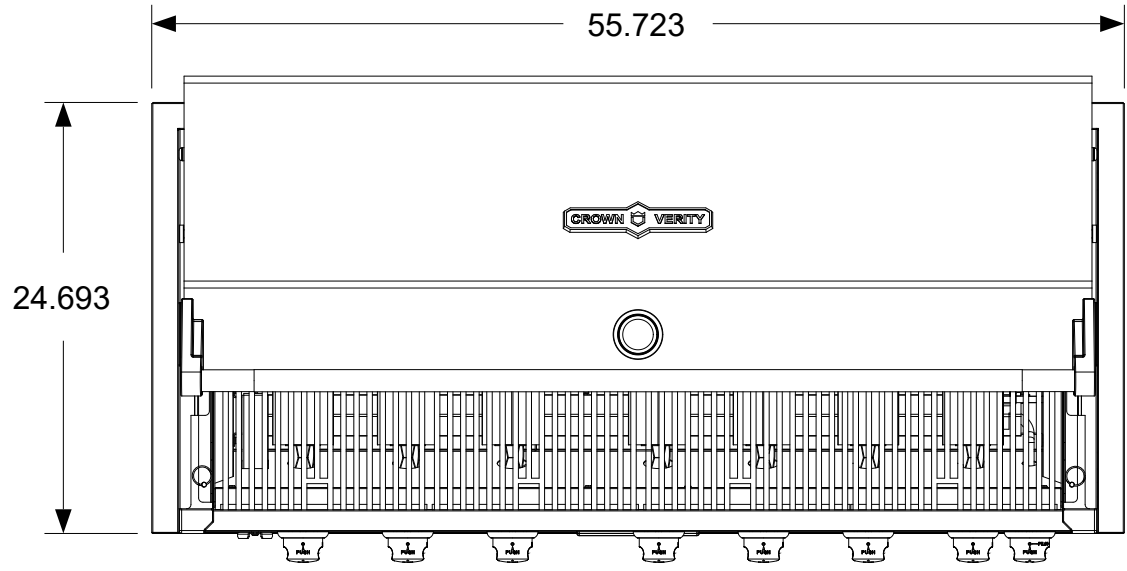
CROWN VERITY

37 Adams Blvd., Brantford, Ontario, N3S 7V8
 P: (519) 751-1800 www.crownverity.com

TITLE			
Infinite 48 Inch Single Dome Built-in Grill			
SIZE	Customer	DWG NO	REV
B	Crown Verity	IBI48(NG/LP)	-
SCALE	1:11	01/16/2020	SHEET 1 of 3

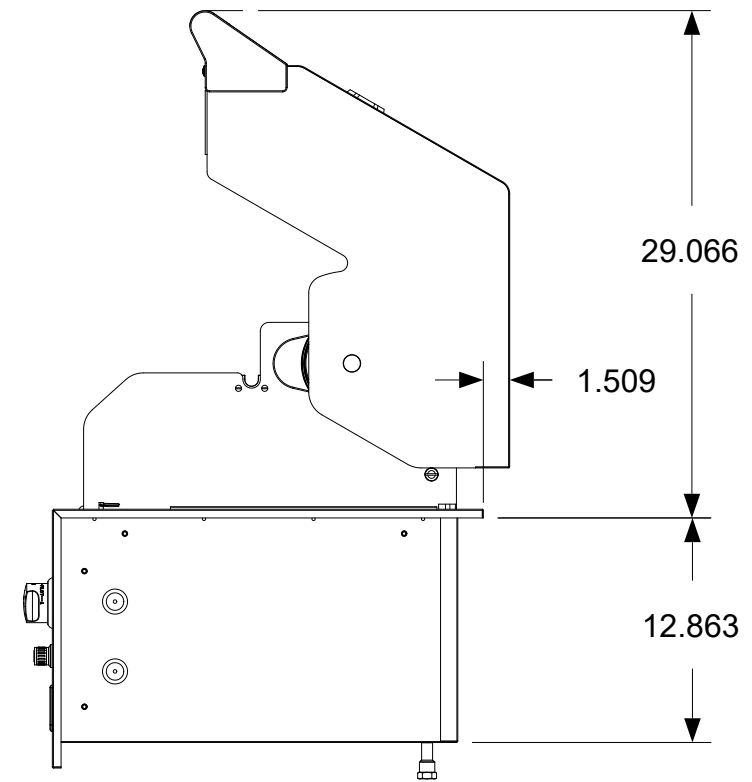
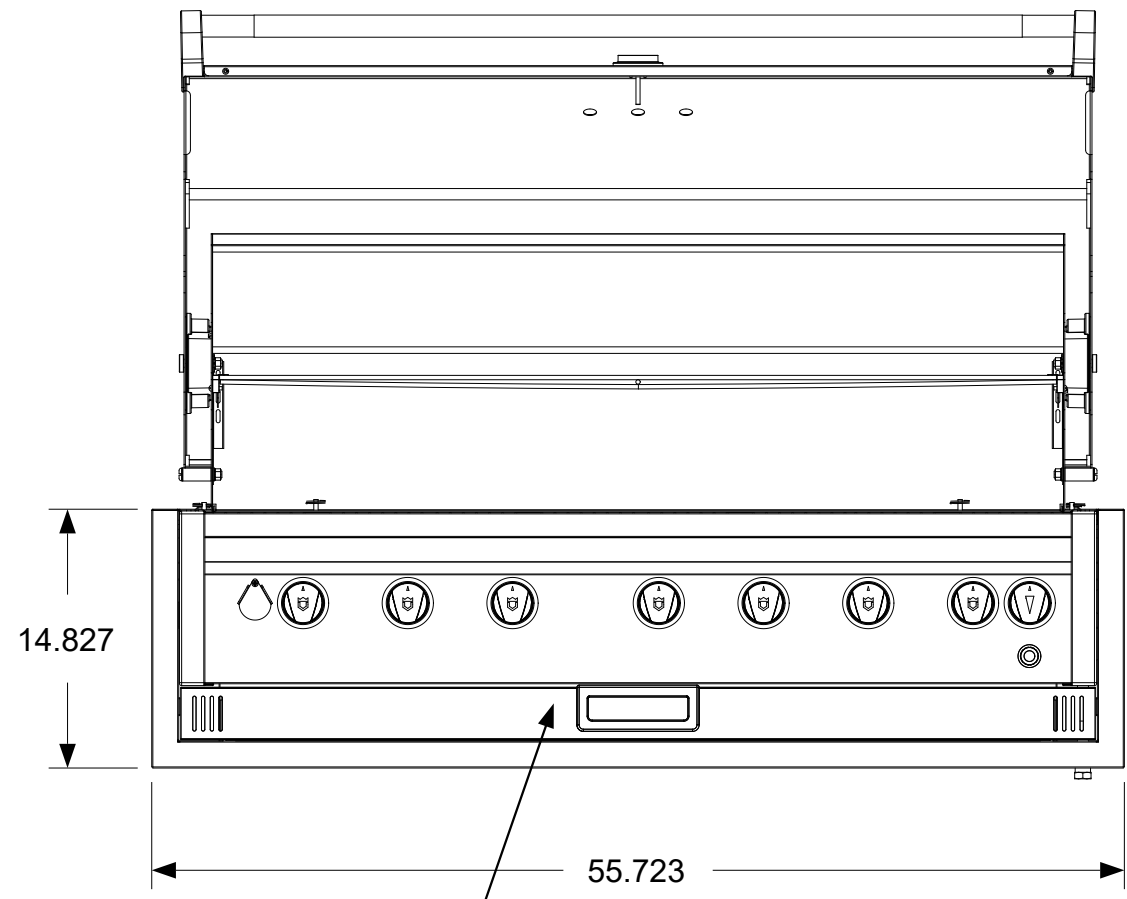
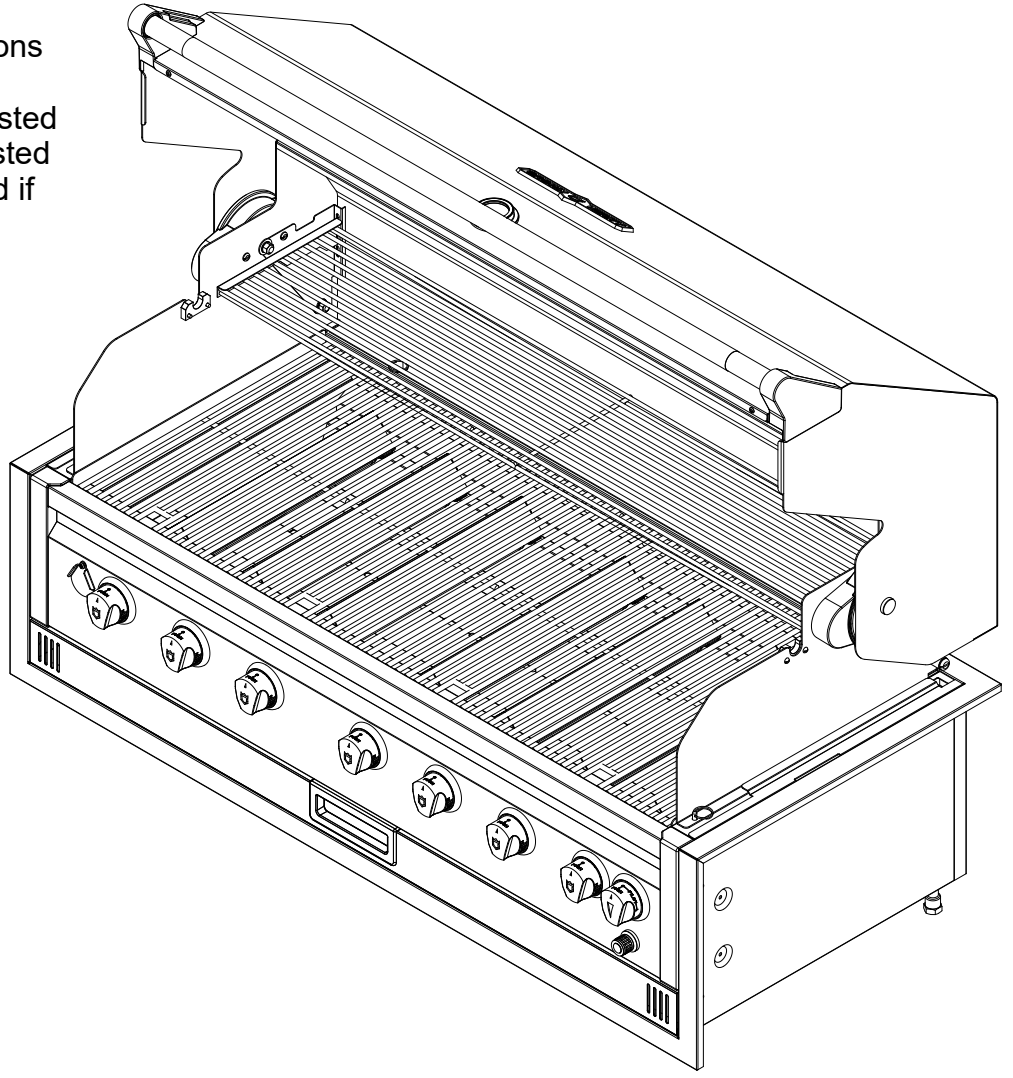


REVISION HISTORY			
REV	DESCRIPTION	DATE	APPROVED
-	Engineering Release	01/16/2020	Todd Stone



The dimensions shown are the actual physical dimensions of the grill. Additional clearances to cabinetry are dependent on the tolerances of the cut-out. The suggested cut-out dimensions for the insulated jacket option are listed in the chart below but these dimensions can be reduced if the tolerances are controlled.

Please refer to the installation manual for additional clearances to combustibles.



Removable Grease Tray

Suggested Cut-out Dimensions		Dimensions are in inches Linear Tolerance: +/- .015 Bend Tolerance: +/- .020 Angular Tolerance: +/- 0.5 Radial Tolerance: +/- .005
Height	13.000	
Width	53.375	
Depth	23.000	
Material	SS 304	DRAWN BY: Todd Stone

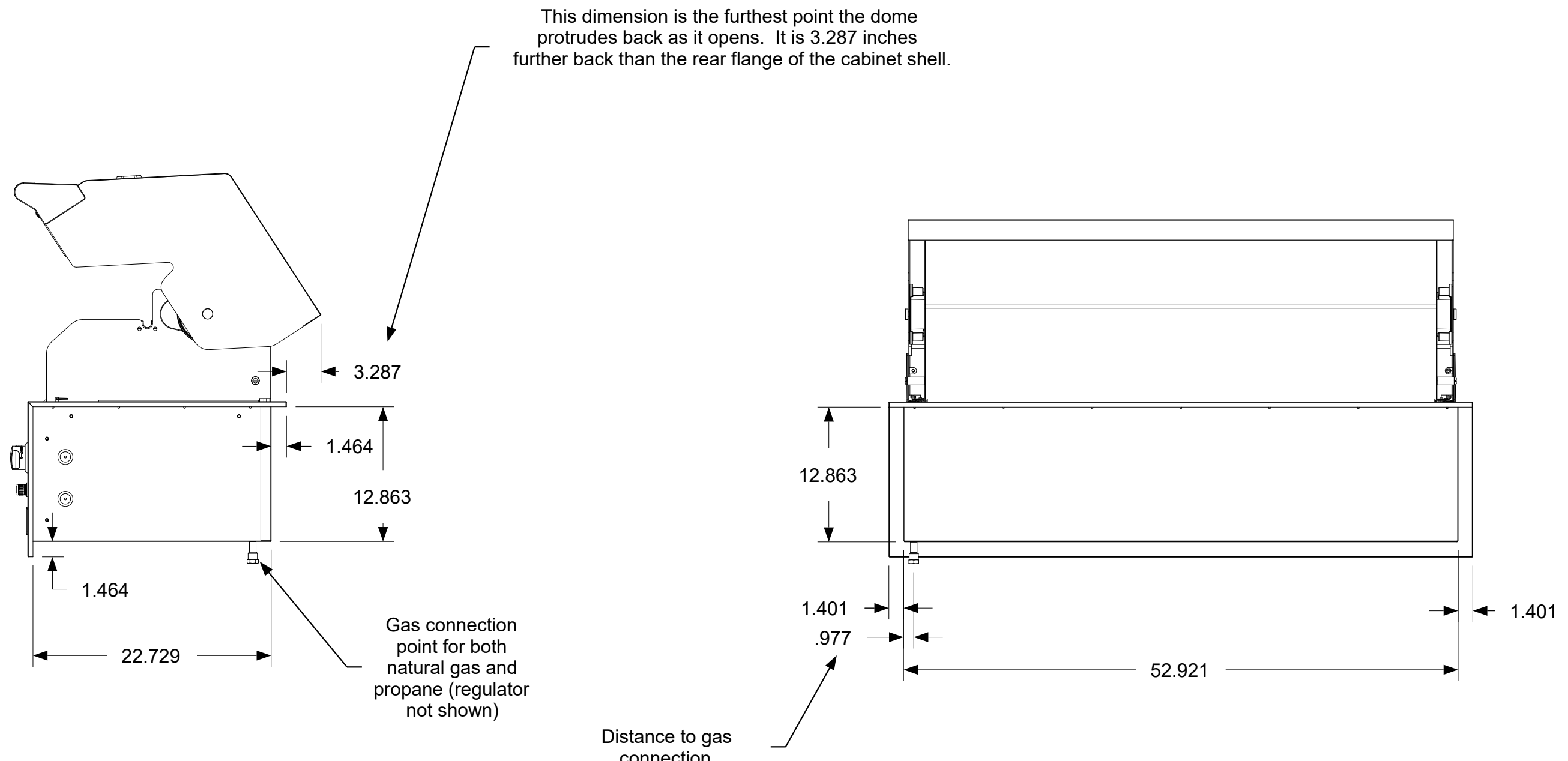
CROWN VERITY

37 Adams Blvd., Brantford, Ontario, N3S 7V8
P: (519) 751-1800 www.crownverity.com

TITLE Infinite 48 Inch Single Dome Built-in Grill			
SIZE B	Customer Crown Verity	DWG NO IBI48(NG/LP)	REV -
SCALE 1:11	01/16/2020	SHEET	2 of 3



REVISION HISTORY			
REV	DESCRIPTION	DATE	APPROVED
-	Engineering Release	01/16/2020	Todd Stone



The dimensions shown are the actual physical dimensions of the grill. Additional clearances to cabinetry are dependent on the tolerances of the cut-out. The suggested cut-out dimensions are listed in the chart below but these dimensions can be reduced if the tolerances are controlled.

Please refer to the installation manual for additional clearances to combustibles.

Suggested Cut-out Dimensions		Dimensions are in inches Linear Tolerance: +/- .015 Bend Tolerance: +/- .020 Angular Tolerance: +/- 0.5 Radial Tolerance: +/- .005
Height	13.000	
Width	53.375	
Depth	23.000	
Material	SS 304	DRAWN BY: Todd Stone



37 Adams Blvd., Brantford, Ontario, N3S 7V8
P: (519) 751-1800 www.crownverity.com

TITLE Infinite 48 Inch Single Dome Built-in Grill			
SIZE B	Customer Crown Verity	DWG NO IBI48(NG/LP)	REV -
SCALE 1:11	01/16/2020	SHEET	3 of 3