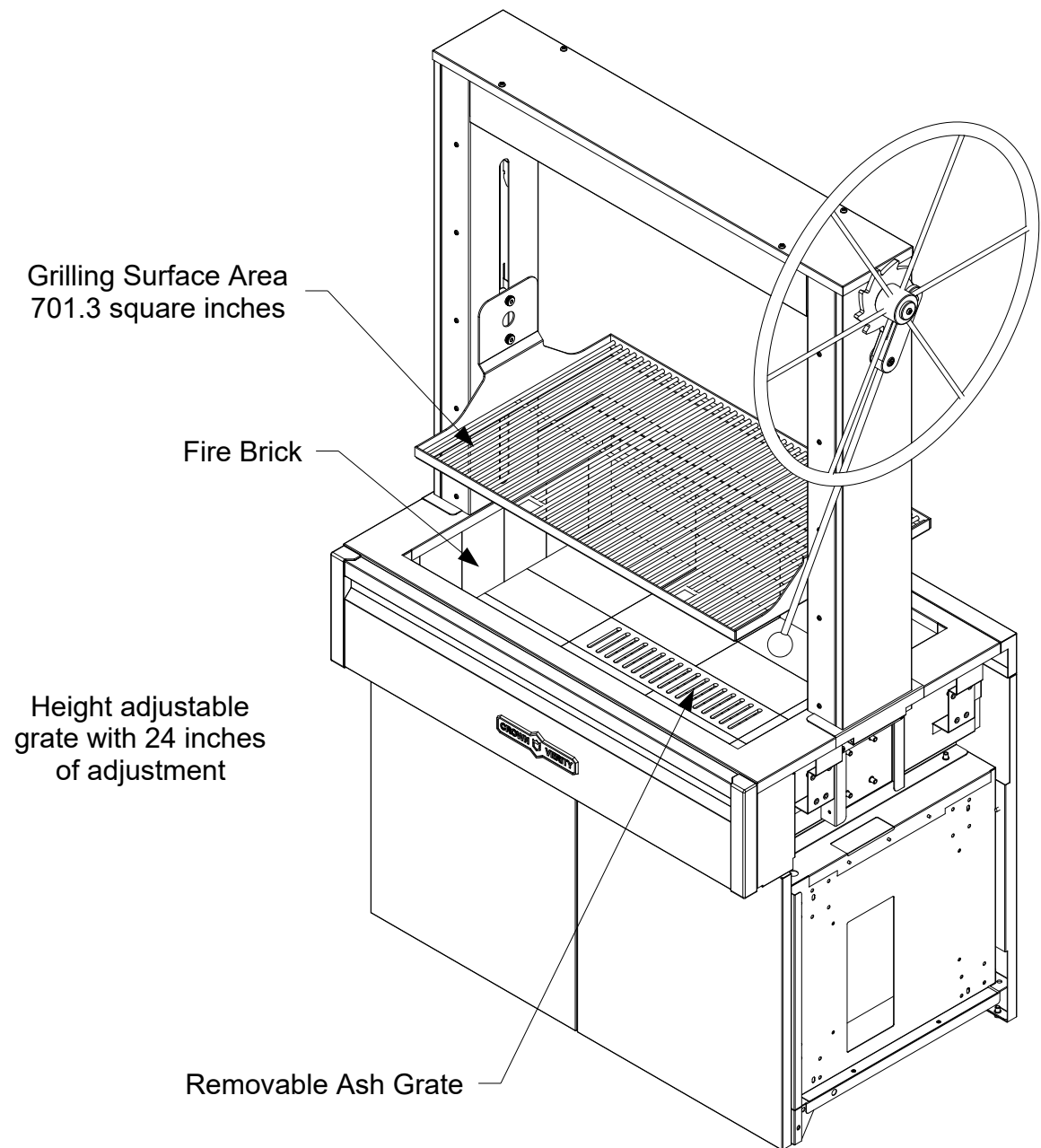
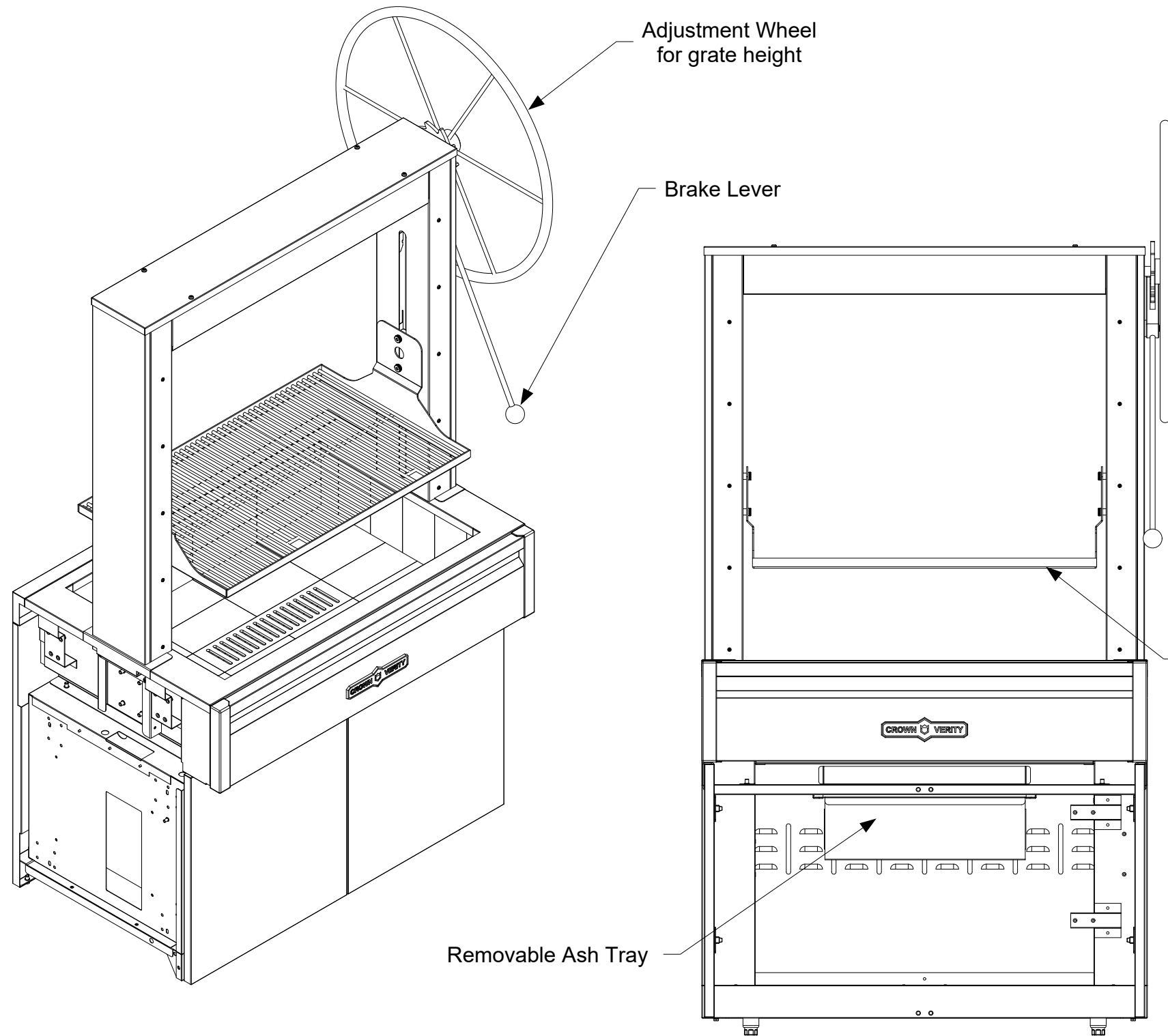


REVISION HISTORY			
REV	DESCRIPTION	DATE	APPROVED
00	Engineering Release	05/13/2024	Todd Stone



The dimensions shown are the actual physical dimensions of the grill. Additional clearances to cabinetry are dependent on the tolerances of the cut-out. The suggested cut-out dimensions are listed in the chart below but these dimensions can be reduced if the tolerances are controlled.

Please refer to the installation manual for additional clearances to combustibles.

Gauge	N/A
Weight (lbs.)	N/A
K Factor	N/A
Finish	#4
Material	SS 304

Dimensions are in inches
 Linear Tolerance: +/- .015
 Bend Tolerance: +/- .020
 Angular Tolerance: +/- 0.5
 Radial Tolerance: +/- .005

DRAWN BY: Todd Stone

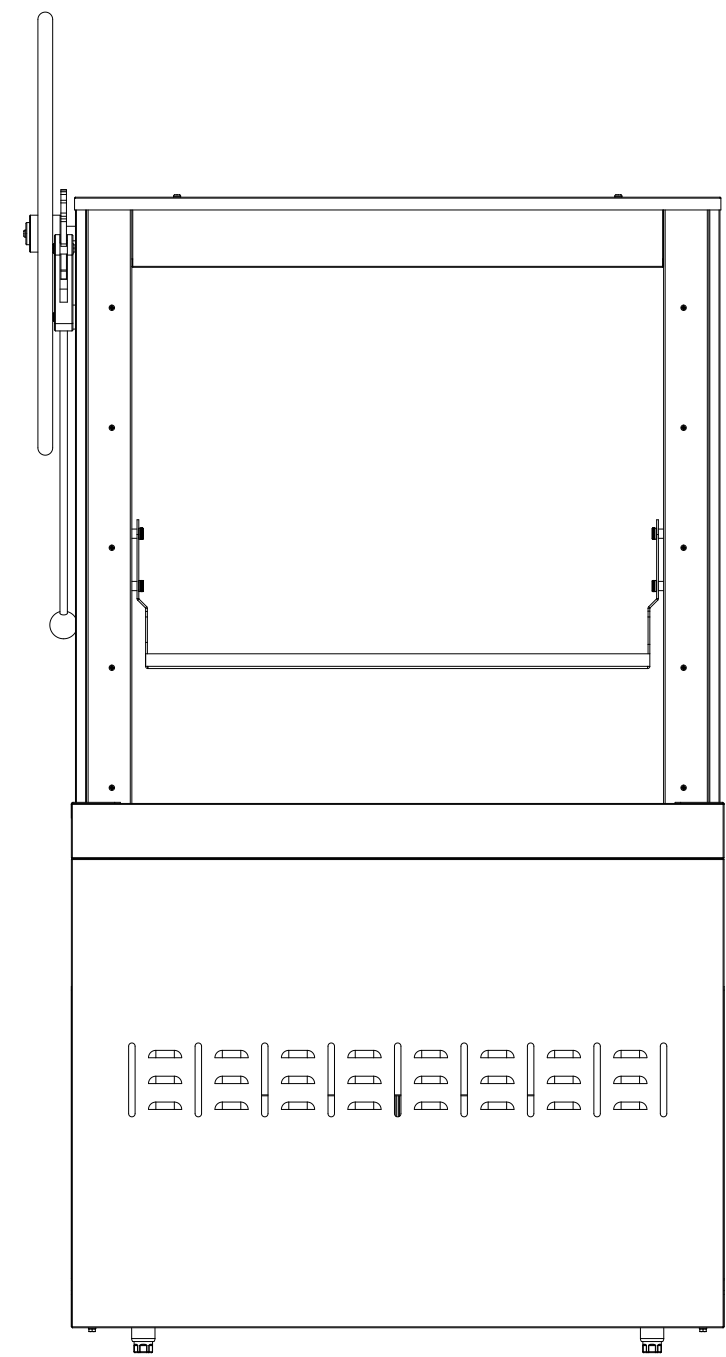
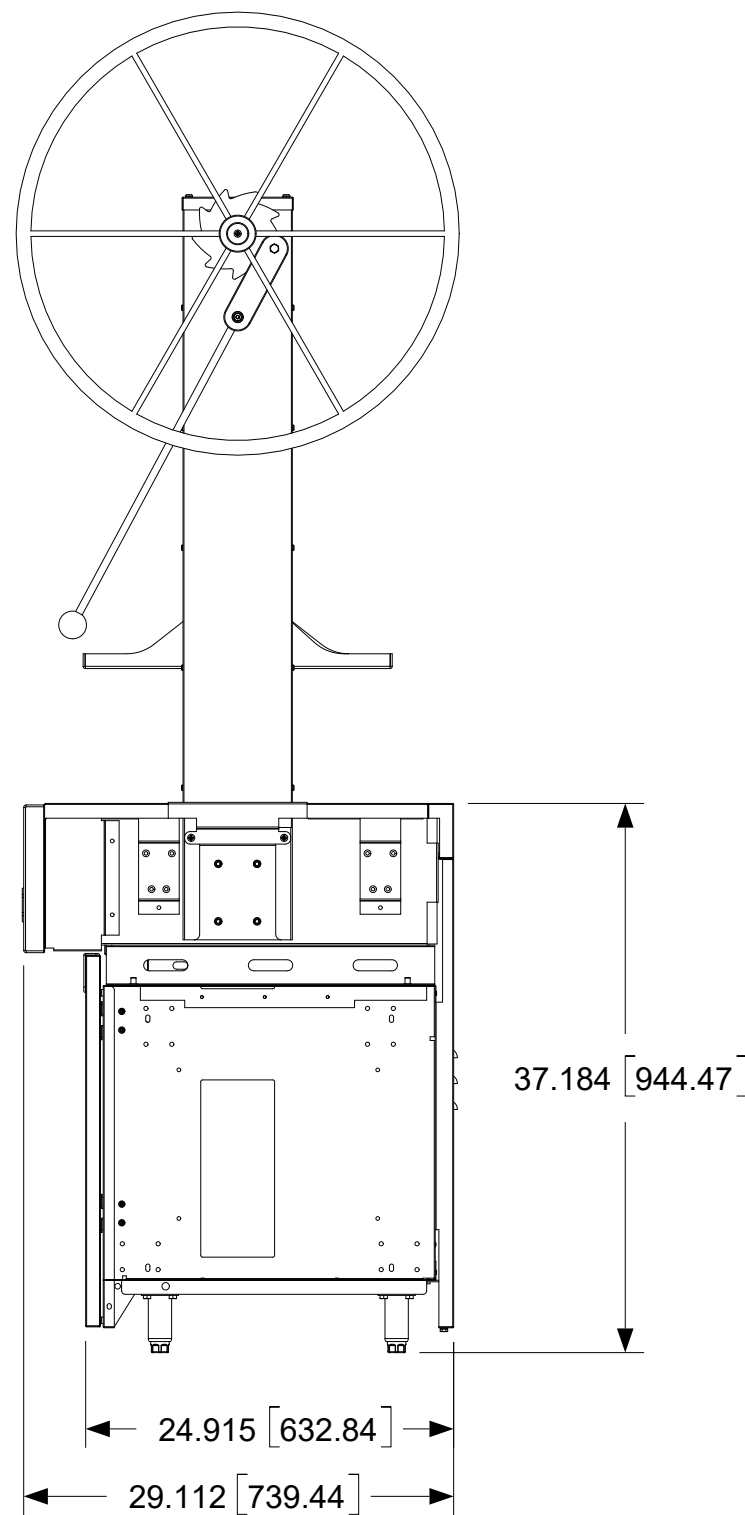
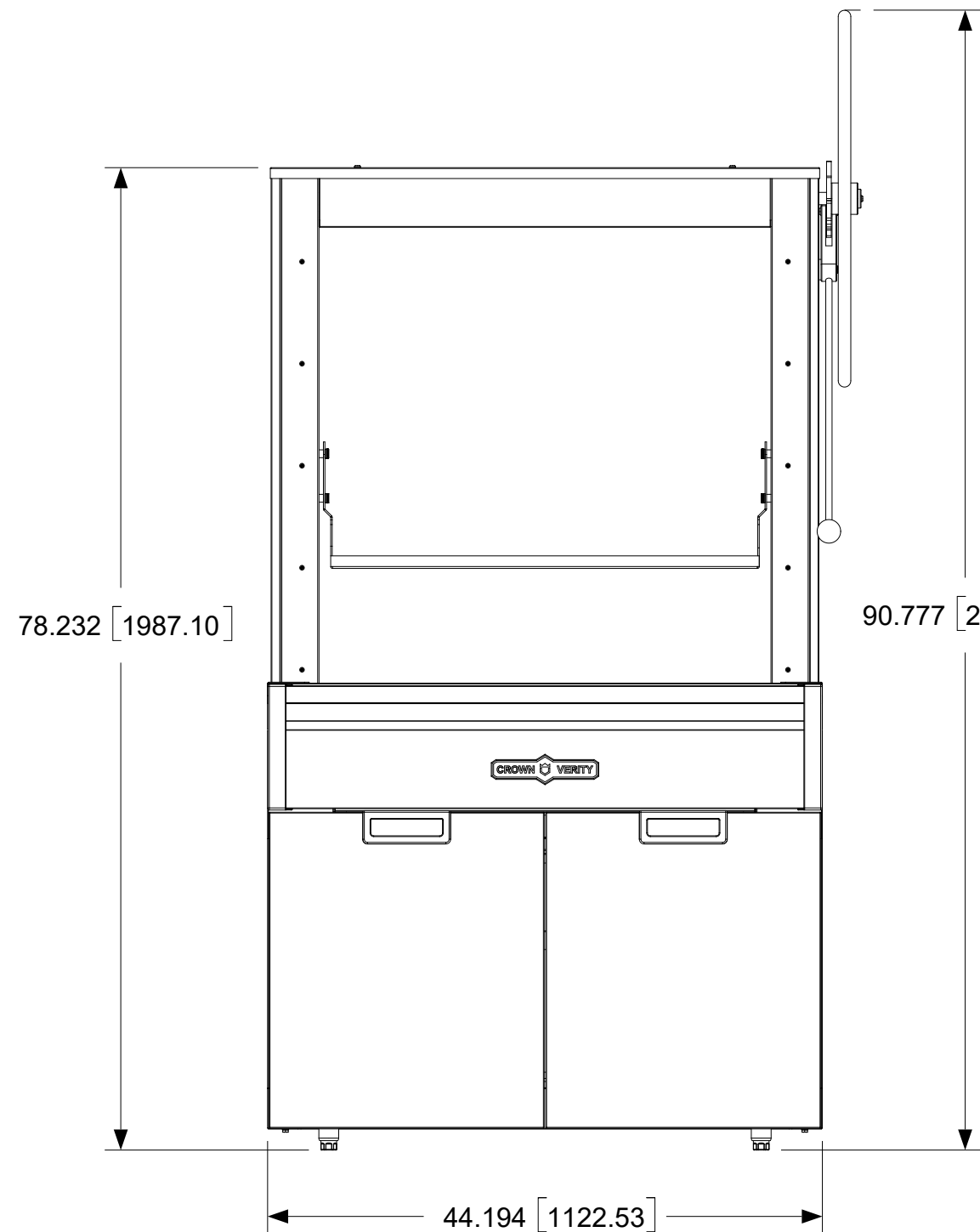
CROWN VERITY

37 Adams Blvd., Brantford, Ontario, N3S 7V8
 P: (519) 751-1800 www.crownverity.com

TITLE **Infinite 36 Inch Argentinian Grill**

SIZE	Customer	DWG NO	REV
B	Crown Verity	IAG36	00
SCALE	1 : 13	05/13/2024	SHEET 1 of 2

REVISION HISTORY			
REV	DESCRIPTION	DATE	APPROVED
00	Engineering Release	05/13/2024	Todd Stone



The dimensions shown are the actual physical dimensions of the grill. Additional clearances to cabinetry are dependent on the tolerances of the cut-out. The suggested cut-out dimensions are listed in the chart below but these dimensions can be reduced if the tolerances are controlled.

Please refer to the installation manual for additional clearances to combustibles.

Gauge	N/A	Dimensions are in inches Linear Tolerance: +/- .015 Bend Tolerance: +/- .020 Angular Tolerance: +/- 0.5 Radial Tolerance: +/- .005
Weight (lbs.)	N/A	
K Factor	N/A	
Finish	#4	
Material	SS 304	
DRAWN BY: Todd Stone		

CROWN VERITY

37 Adams Blvd., Brantford, Ontario, N3S 7V8
P: (519) 751-1800 www.crownverity.com

TITLE **Infinite 36 Inch Argentinian Grill**

SIZE	Customer	DWG NO	REV
B	Crown Verity	IAG36	00
SCALE	1 : 13	05/13/2024	SHEET 2 of 2