



Process Automation

IMI Fluid Kinetics
EVO Vent Silencer



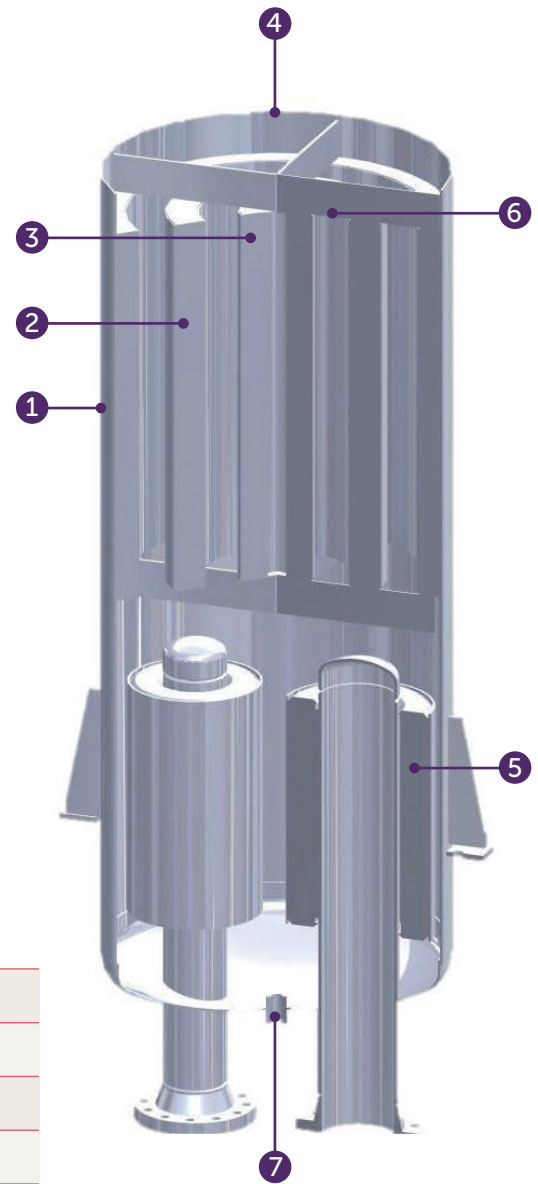
Breakthrough
engineering for a
better world

EVO Vent Silencers

Recognizing the critical service characteristics of many vent to atmosphere applications, the EVO vent silencer has been designed to address durability, safety and performance in an economic and robust solution.

Key features and benefits

- 1 Extra thick carbon steel shell: durable long life construction, prevents noise propagation through the shell.
- 2 Long strand fiberglass fill: resistant to blow out and damage from moisture, and high temperature.
- 3 Optional stainless steel baffles: corrosion resistant material ensures longer service life.
- 4 Multiple outlet connection options: site specific requirements for snow, sand or animal protection.
- 5 Flexible diffuser capacity: optimized to match upstream components.
- 6 Lifting bar: integrated lifting point for ease of installation.
- 7 Drain Connection: NPT external body drain to prevent accumulation of rain water.



Technical Description

Body	Axial Flow*
Pressure rating	ANSI 150 – 2500
End connections	BWE Standard*
Shell material	Carbon or stainless steel
Baffle material	Carbon or stainless steel
Diffuser material	Carbon, stainless steel or chrome moly
Temperature range	-50 to 565 C
Quality specification	ASME SEC VIII DIV I, B31.1, or B31.3
Noise attenuation	Custom designed to specifications

Process Automation

The information in this brochure is provided for general informational purposes only. Specifications for products and services are subject to change without prior notice. IMI plc and its subsidiaries own all product brands mentioned herein.

IMI makes no warranties or representations about the accuracy or completeness of the content in this brochure and assumes no liability for any errors or omissions it may contain. We reserve the right to modify, enhance, or discontinue any product or service described herein without prior notification.

IMI Fluid Kinetics

4525 Kennedy Commerce Drive
Houston
Texas, 77032
USA
Tel: +1 281 670 5357

www.imiplc.com/process-automation

02004.02/24en

