



MINIBARS



5315 SERIES

SAE Class I Rotator, 15"

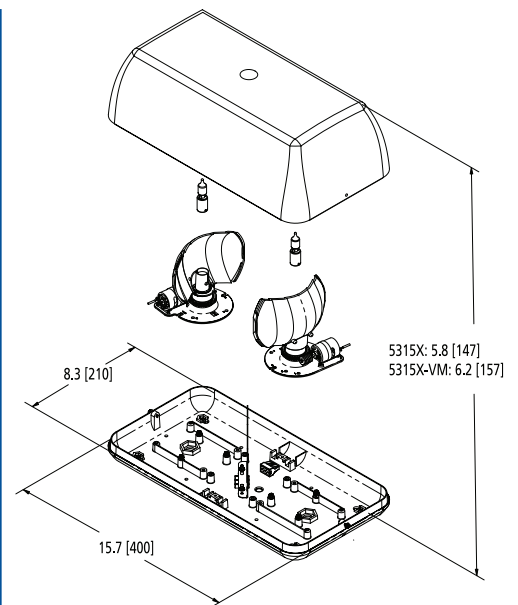
Featuring ECCO's heavy-duty gear drive rotator, this minibar is offered in a range of dome/filter color combinations.

Models

PART NO.	VOLTAGE	AMPS	DOMES	FILTER	FPM	MOUNT
5315A	12-48	8.6	Amber	Clear/Clear	300	Permanent
5315A-VM	12-48	8.6	Amber	Clear/Clear	300	Vacuum-Magnet

Features and Benefits

- Polycarbonate base and dome
- Self-lubricating heavy-duty motor and gear assemblies
- Magnet version features 4 factory fitted magnets and 17' straight cigarette cord with plug
- Vacuum magnet version features 2 factory fitted vacuum magnets and 17' straight cigarette cord with plug
- Temperature Range: -22°F to +122°F (-30°C to +50°C)
- Warranty: Minibar = 2 years
 Bulb = 3 months



Replacement Parts

- Bulb: 12V - R5012BH
 24V - R5024BH
- Domes: R5300LA Amber