



BEACONS



6262 SERIES Industrial Application

ECCO's maintenance-free 6262 Series LED Beacons feature three of the latest LEDs and Pulse8 flash operation, producing a warning signal ideally suited to industrial applications. This cost effective unit has a wide operating range of 12-80V, making it the perfect light for use on electric vehicles. The long, trouble-free service life and low amp draw characteristics of LED technology make this an ideal replacement solution for rotating or strobe beacons.

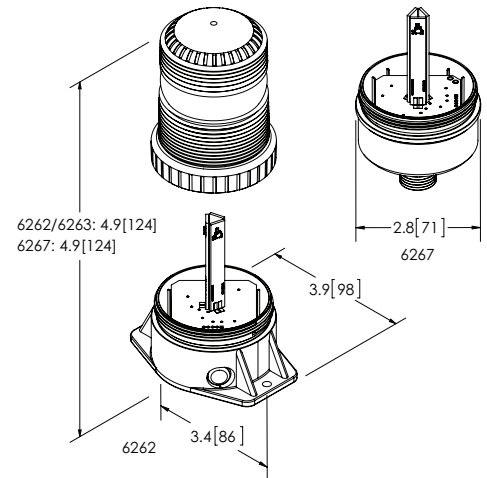
Models

PART NO.	MOUNT	WIRE EXIT	LENS COLOR OPTIONS	LED COLOR
6262X	2 Bolt	Side	<input type="checkbox"/> A <input type="checkbox"/> B <input type="checkbox"/> C <input type="checkbox"/> R <input type="checkbox"/> G	<input type="checkbox"/> C
6263A	2 Bolt	Bottom	<input type="checkbox"/> A	<input type="checkbox"/> C
6267X	1/2" Pipe		<input type="checkbox"/> A <input type="checkbox"/> B <input type="checkbox"/> C <input type="checkbox"/> R <input type="checkbox"/> G	<input type="checkbox"/> C

Replace X in part number with desired color: A=amber, B = blue, C = clear, G=green, R=red

Design Features

- 12-80 VDC, 0.12 Amps
- Pulse8 flash operation, 8 flashes per cycle (70FPM)
- Reinforced nylon base with epoxy-sealed electronics provides superior environmental protection
- Thread-on polycarbonate lens
- Reverse polarity, voltage spike and surge protected
- Temperature Range: -22°F to +122°F (-30°C to +50°C)



Reinforced nylon base is epoxy filled for environmental protection



Parts & Accessories

- Lens: R6260LX