



WORKLIGHTS



E92004

Six 3-Watt LEDs

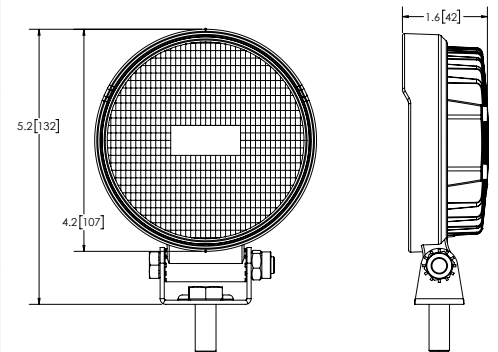
The E92004 worklight offers the latest technology and the very brightest white light for your application. This LED model offers over 80,000 hours of maintenance free life expectancy coupled with extremely low amp draw.

Models

PART NO.	VDC	TYPE	RAW LUMENS	AMPS
E92004	12-24	Flood	700	0.6

Design Features

- Rugged heatsink housing
- Polycarbonate lens
- Steel mounting bracket



Beam Pattern

