



DIRECTIONAL LEDS



ED3700 Series SAE Class I Surface Mount

The versatile surface mount lights feature high-intensity LEDs providing exceptional warning synchronization capability and SAE Class I operation. Compact design, ability to fit confined mounting locations, zero maintenance and a 5-year warranty are just some of the many benefits. Available in single, split-, or dual-color variation and a double stack option. A range of accessory brackets are also available to further maximize mounting options.

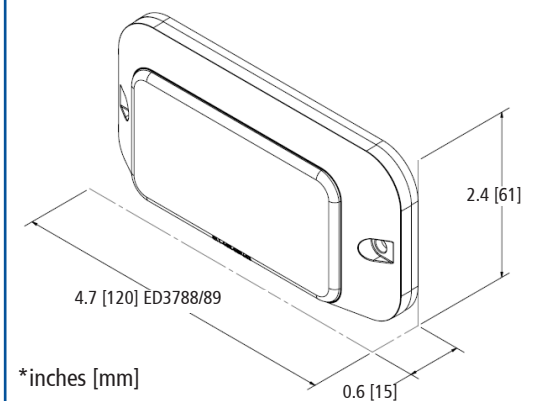
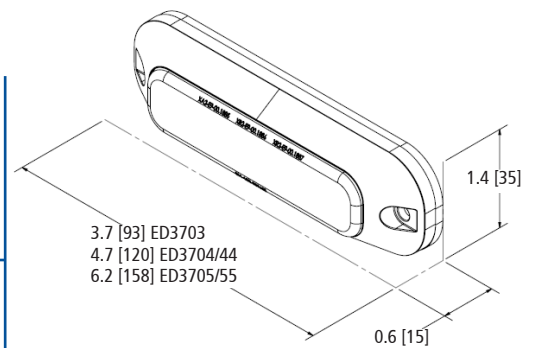
Models

PART NO.	TYPE	FLASH PATTERNS	ILLUMINATION COLOR OPTIONS	AMPS
ED3703X	Single	21	■ A ■ B ■ C ■ G ■ R	0.4
ED3703A-DEL4	Delphi 4-Pin	21	■ A	0.4
ED3704X	Single	30	■ A ■ B ■ C ■ G ■ R	0.7
ED3704XX	Split	22	■ AB ■ AC ■ AR ■ BC ■ RB ■ RC	0.7
ED3744XX	Dual	70	■ AB ■ AC ■ AR ■ BC ■ RB ■ RC	0.7
ED3705X	Single	30	■ A ■ B ■ C ■ R	0.9
ED3705XX	Split	22	■ AB ■ AC ■ BC ■ RA ■ RB ■ RC	0.9
ED3755XX	Dual	70	■ AC ■ BA ■ BC ■ RA ■ RB ■ RC	0.9
ED3788X	Single	62	■ A ■ B ■ C ■ G ■ R	1.2
ED3788XX	Split	38	■ AB ■ AC ■ AR ■ BC ■ RB ■ RC	1.2
ED3789XX	Dual	70	■ AB ■ AC ■ AR ■ BC ■ RB ■ RC	1.2

Replace "X" in part number with desired color: A = amber, B = blue, C = clear, G = green, R = red

Design Features

- 12-24 VDC
- Same mounting hole pattern and brackets as the 3700 series
- Single, split- and dual-color options with controllable flash patterns
- Synchronizable, dimmable, and steady-burn modes
- Single stack (ED3703/04/44/05/55) Double stack (ED3788/89)
- Polycarbonate lens and waterproof housing ensure extended life
- Temperature Range: -40°F to +149°F (-40°C to +65°C)



*inches [mm]

Accessories

- Black Bezel (included with product)
- License Plate Bracket
- 90° Bracket
- Grille Bracket
- Lighthouse Programmer