



BEACONS



A, B, R,
AC & CAA
only

permanent
mount only

EB7185 SERIES

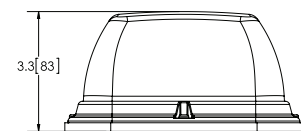
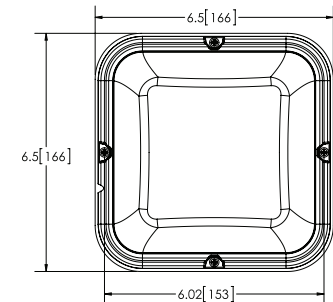
Dual-Color

The EB7185 LED beacons offer a long, maintenance free service life and low amp draw, this beacon is a high performance, cost effective choice for many applications. Dual-color amber/clear illumination models are available. Easily replace strobe or rotating beacons with the latest technology so no ongoing maintenance is required.

Models

PART NO.	MOUNT	LENS COLOR	LED COLOR OPTIONS
EB7185AAA	4 Bolt or VM	■ A	■ AA
EB7185AAA-T13	4 Bolt or VM	■ C	■ AA
EB7185CXX	4 Bolt	□ C	■ AA ■ AB ■ AC ■ AG ■ AR □ CC
EB7185CXX-T13	4 Bolt	□ C	■ AA □ AC

Replace "X" in part number with desired color: A=amber, B=blue, C=clear, G=green, R=red



Design Features

- 12-24 VDC, 8.6A
- Dual-color warning (CAC models)
- 120 +/- 5 flashes per minute
- Multiple units can be synchronized
- Cigarette plug with on/off and flash pattern switch (vacuum-magnet only)
- Temperature Range: -22°F to +122°F (-30°C to +50°C)