



DIRECTIONAL LEDS



SAE CLASS 1
CALIFORNIA TITLE 13
A, B & R only

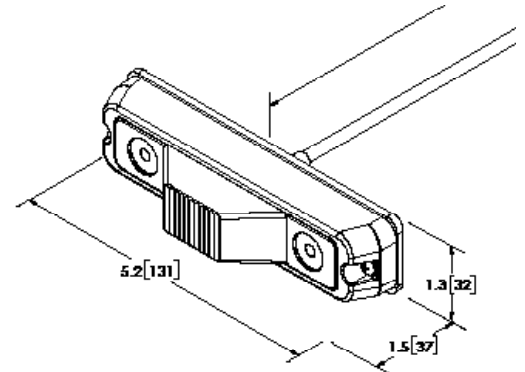
CE
single-color only

R10
R65
A, B & R only

IP67
RoHS

ED3777 SERIES Multi-Mount

The ED3777 directional LEDs are bright and versatile 180° warning lights, with work and puddle light combinations that are suited to a wide variety of applications. Its profile, narrow shape and multiple mounting options (surface, edge, self-adhesive permanent) provide superior flexibility when positioning the lights for optimum war capability.



Models

PART NO.	TYPE	ILLUMINATION COLOR OPTIONS	AN
ED3777X	Single	A B G R W	1.3
ED3777XX	Dual	AB AG AR AW BW RB RW	1.4

Replace "X" in part number with desired color: A=amber, B=blue, G=green, R=red, W=white

Design Features

- 12-24 VDC
- 180° warning with worklight and puddle light
- Six LEDs per color
- 29 flash patterns (single), 69 flash patterns (dual)
- Sync-capable
- Aluminum housing, polycarbonate lens
- Four mounting options (hardware included)
- Temperature Range: -22°F to +122°F (-30°C to +50°C)

Mounting Options



Tilt Bracket / Self-Adhesive



Edge Mount