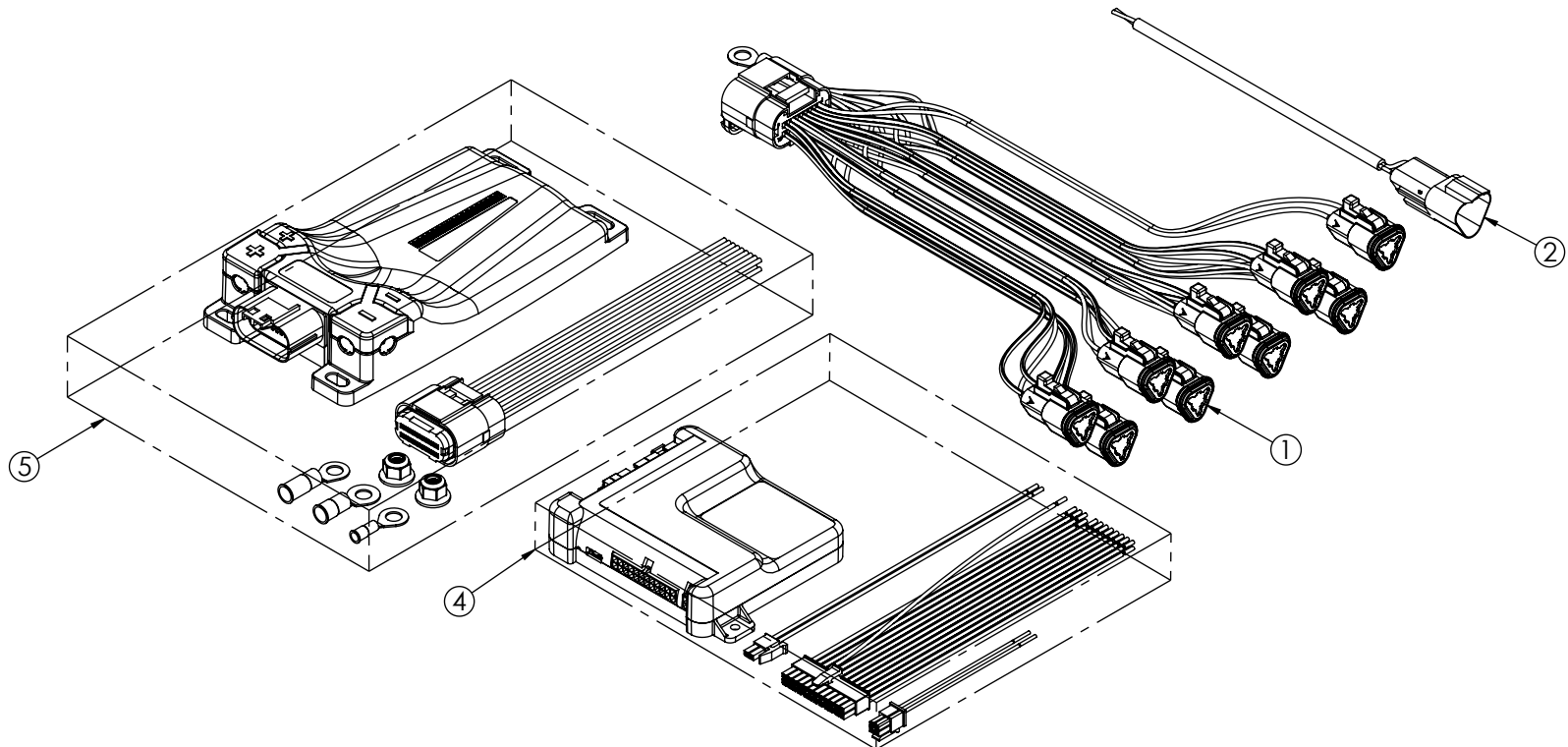


REVISION HISTORY		
REV.	DESCRIPTION	DATE
01	PRELIMINARY RELEASE PER EP0224	2024-06-05
A	INITIAL RELEASE PER EP0224	2024-06-19



ITEM NO.	QTY.	PART NUMBER	DESCRIPTION	COMMENTS
1	1	670-0578-00	ASSY.HARNES.SWITCHNODE.CONNECT	
2	1	690-1051-00	CABLE,2C,CAN,CONNECT	
3	1	990-0062-00	BAG,POLY, 12" X 16", 4 MIL	NOT SHOWN
4	1	SIB-EC100	ECCO CONNECT, SIB, EC100	
5	1	SWITCHNODE-EC100	ECCO CONNECT, SWITCHNODE, EC100	

APPROVALS	DATE
DRAWN BY BTK	2024-06-06
CHECKED ABD	2024-06-07
MECH. ENG. LRA	2024-06-05
ELEC. ENG. BWR	2024-06-06
MFG. ENG. ADJ	2024-06-05



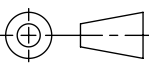
United States
1-800-635-5900
Americas@eccogroup.com

United Kingdom
+44 (0)113 237 5340
Europe@eccogroup.com

Australia
+61 (0)3 63322444
AsiaPacific@eccogroup.com

KIT, EC, EC100, SIB+SWITCHNODE+CABLES

SCALE 1:3
CAD GENERATED DRAWING
DO NOT MANUALLY UPDATE.



SIZE: A	DWG. NO. 100-EC100	REV. A
Project: EP0224		Date Created: 2024-06-05

PROPRIETARY AND CONFIDENTIAL INFORMATION
THIS DRAWING AND THE DESIGN AND OTHER INFORMATION DISCLOSED HEREIN ARE THE PROPERTY OF ELECTRONIC CONTROLS COMPANY AND/OR ITS ECCO SAFETY GROUP AFFILIATES ("ESG") AND IS ISSUED IN CONFIDENCE TO RECIPIENT FOR ENGINEERING INFORMATION PURPOSES ONLY. THIS DRAWING AND THE DESIGN AND OTHER INFORMATION DISCLOSED HEREIN MAY NOT BE USED, COPIED, REPRODUCED OR OTHERWISE DISCLOSED IN PART OR IN WHOLE TO THIRD PARTIES OR USED FOR ANY OTHER PURPOSE WITHOUT PRIOR ESG WRITTEN CONSENT. ESG RESERVES ALL PATENT, COPYRIGHT, TRADEMARK AND OTHER PROPRIETARY RIGHTS TO THIS DOCUMENT, INCLUDING ALL DESIGN, MANUFACTURING, REPRODUCTION, USE AND SALES RIGHTS THERETO. THIS DRAWING IS SUBJECT TO RECALL BY ESG AT ANY TIME, AND YOUR POSSESSION AND/OR USE CONSTITUTES ACCEPTANCE OF THESE TERMS.
©2024 ELECTRONIC CONTROLS COMPANY

Electronically Controlled Use Latest Copy

SHEET 1 OF 1