



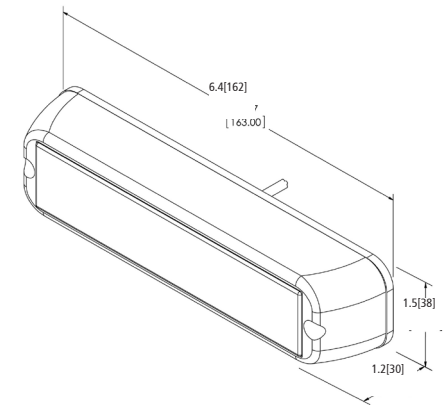
DIRECTIONAL LEDS



ED3766 SERIES

SAE Class I Dual-or Tri-Color Surface Mount

The ED3766 Series directional LED warning light offers the flexibility of two different color outputs within a single unit, comprised of 12 (dual) or 18 (tri) high intensity LEDs, six of each color. SAE Class I light output, synchronization capability and the choice of 12 flash patterns allows the creation of an attention-getting multi-color warning system with half the number of lights typically required. Each model can be programmed to flash each color option individually or alternate colors.



Models

PART NO.	TYPE	FLASH PATTERNS	LED COLOR
ED3766XX	Dual	12	
ED3766XXX	Tri	24	

Replace "X" in part number with desired color: A=amber, B=blue, C=clear, G=green, R=red

Features and Benefits

- 12-24 VDC, 0.75 Amps
- 12 (dual) or 18 (tri) high-intensity LEDs provide exceptional warning
- Six LEDs per color
- Synchronizable
- Aluminum housing, polycarbonate lens
- Temperature Range: -22°F to +122°F (-30°C to +50°C)

Flash Patterns (12)

- Single
- Fast Single
- Double
- Fast Double
- Triple
- Quad
- Fast Quad
- Modulation
- Steady Burn
- 2 Double, 2 Quad, Alt
- 4 Single, 2 Triple, Alt
- 1 Double, 1 Triple, 1 Quad