



BEACONS



7965 SERIES Pulse® SAE Class I or II LED

The 7965 Series beacon combines all the major benefits of the latest LED technology with a traditional, strobe style housing at a price point comparable to a strobe. Available in either 5" or 7" height profiles, the 7965 is suitable for a wide range of applications where a high-intensity SAE Class I light is required. The 7965 features 12-24VDC operation and 11 flash patterns that produce an attention-getting warning signal.

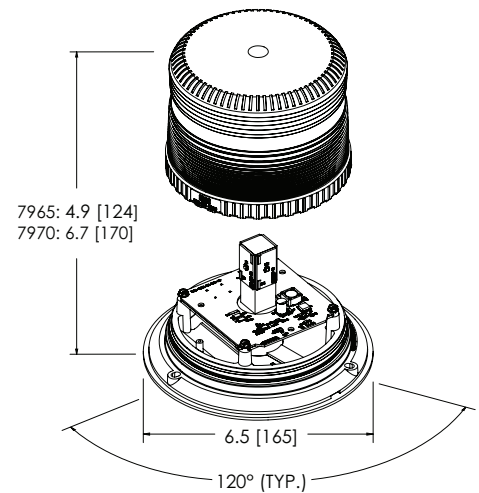
Models

| PART NO. | MOUNT | LENS COLOR OPTIONS | LED COLOR |
|-----------|--------------------|--|--------------------------|
| 7965X | 3 Bolt / 1" Pipe | <input type="checkbox"/> <input type="checkbox"/> <input type="checkbox"/> <input type="checkbox"/> <input type="checkbox"/> | <input type="checkbox"/> |
| 7970X | 3 Bolt / 1" Pipe | <input type="checkbox"/> <input type="checkbox"/> <input type="checkbox"/> <input type="checkbox"/> <input type="checkbox"/> | <input type="checkbox"/> |
| 7965X-VM | Vacuum-Magnet | <input type="checkbox"/> <input type="checkbox"/> <input type="checkbox"/> <input type="checkbox"/> <input type="checkbox"/> | <input type="checkbox"/> |
| 7970X-VM | Vacuum-Magnet | <input type="checkbox"/> <input type="checkbox"/> <input type="checkbox"/> <input type="checkbox"/> <input type="checkbox"/> | <input type="checkbox"/> |
| 7965X-HBT | Semi-Permanent HBT | <input type="checkbox"/> <input type="checkbox"/> <input type="checkbox"/> <input type="checkbox"/> <input type="checkbox"/> | <input type="checkbox"/> |
| 7970X-HBT | Semi-Permanent HBT | <input type="checkbox"/> <input type="checkbox"/> <input type="checkbox"/> <input type="checkbox"/> <input type="checkbox"/> | <input type="checkbox"/> |

Replace "X" in part number with desired color: A = amber, B = blue, C = clear, G = green, R = red

Features and Benefits

- 12-12 VDC, 3.6 Amps
- Choose profile height: 5" (7965) or 7" (7970)
- 11 flash patterns
- Aluminum base, polycarbonate lens
- Switched cigarette plug adapter (vacuum-magnet models)
- Temperature Range: -22°F to +122°F (-30°C to +50°C)



Parts & Accessories

- Lenses: 7965 - R6050LX
7970 - R6070LX