

INTERIOR LIGHTING

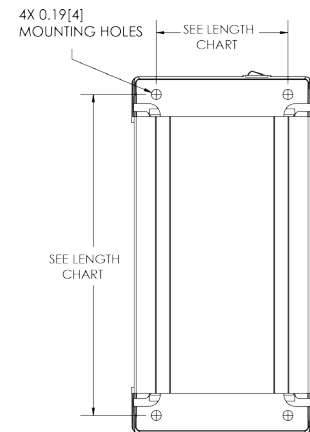


EW0500 Series LED Interior Lighting

These super thin flat-panel LED interior lights are ideal for use in a wide variety of applications, particularly where a high-output light is required but space is limited. Surface mounted with concealed fasteners these 12-24V lights feature aluminum housings, frosted lenses and on/off switches.

Models

PART NO.	LENGTH	LEDS	VOLTAGE	AMPS	LUMENS	TYPE
EW0500	7"	42	12-24	0.5	250	Flood
EW0501	7"	42	12-24	0.5	375	Flood
EW0502	18"	138	12-24	0.9	400	Flood
EW0503	15"	108	12-24	0.8	600	Flood



Features and Benefits

- Flat-panel light with switch
- Surface mount with concealed fasteners (hardware included)
- Aluminum housing
- Frosted lens

Accessories

- EZ0120 PIR Motion Sensor - 100° cone, adjustable sensitivity (automatically activates light when human movement is detected)

