



ACCESSORIES

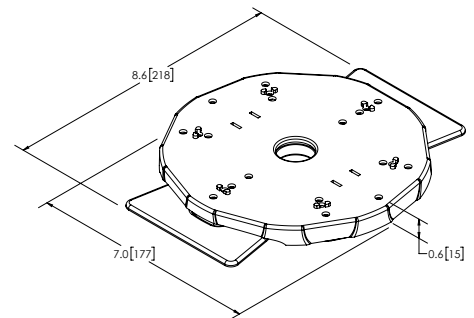
SEMI-PERMANENT MOUNT

High Bond Tape Kit

ECCO's self-adhesive mounting base utilizes high-bond tape to provide a semi-permanent, durable mounting solution. Designed for the toughest of jobs, the high-bond tape allows for countless mounting locations and is strong enough to meet the demand of heavy-duty applications. The mount pairs well with most ECCO beacons and minibars and offers easy, stress-free mounting when applied correctly.

Models

PART NO.	MOUNT	SYSTEMS
EZ5500HBTK	Semi-Permanent	5580, 5585, 5587, 5590 and 5597 Series
EZ6000HBTK	Semi-Permanent	5545, 5550, 6500, 6900 and 7900 Series
EZ6465HBTK	Semi-Permanent	6465



Installation Instructions:

- Wipe base thoroughly and apply adhesive strips.
- Find flat surface on vehicle roof, clear of ridges/bumps.
- Thoroughly clean the mounting surface with alcohol pad supplied, ensure that it is dry.
- Remove backing from adhesive strips.
- Ideal application temperature is 70°F-100°F, if it is colder than 85°F, use heat gun to warm adhesive, do not heat past blistering.
- Place plate with arrow pointing to the front of vehicle.
- Apply firm, uniform pressure to plate to ensure full contact of adhesive. (15 PSI is ideal)
- Wait at least 20 minutes before applying load.
- This is a single-use mount. It must be replaced if it is removed from initial installation.

Kit Includes:

- Mounting base
- High bond tape strips
- Alcohol pads for cleaning
- Installation instructions