

INTERIOR LIGHTING



EW0100 SERIES LED Interior Lighting

Ideal for illuminating toolboxes, racking and small or large interior compartments, these convenient LED strips are available in various pre-configured lengths. Featuring 1-watt LEDs, each strip or module can be spliced and are supplied with wire leads at each end allowing multiple units to be easily daisy-chained together.

Models

PART NO.	TYPE	LENGTH	LUMENS (RAW)	AMPS
EW0133	3 LEDs, 50 Modules	34'	150 per module	0.1
EW0134	4 LEDs, 30 Modules	24'	200 per module	0.2

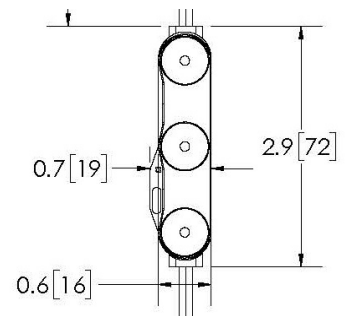
Design Features

- 12 VDC
- Frosted lens
- LED light strips are incredibly versatile
- Easy to install with screws or high-bond tape
- Wire leads at both ends to allow multiple units to be connected
- Compact design allows them to be concealed easily in any location
- Large selection of sizes, and intensities to get just the look you want

Accessories

- EZ0112 Cap & wire for spliced sections
- EZ0120 PIR Motion Sensor - 100° cone, adjustable sensitivity (automatically activates light when movement is detected)
- EZ0121 - Interior push button switch, 12-24V
- EZ0122 - Interior touch switch with dimmer, 12-24V

EW0133



EW0134

