



WORKLIGHTS



EW2019 Rectangular LED

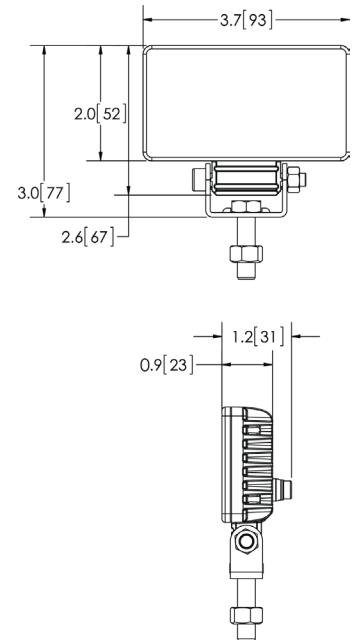
The EW2019 Series worklamp offers the latest technology in an extremely slim and compact package. This LED model offers over 80,000 hours of maintenance free life expectancy coupled with extremely low amp draw. 600 lumen light output and IP67 rated intrusion protection make this LED worklamp the ideal choice for a wide variety of applications. Features 12-24 VDC operation, flood beam, aluminum heatsink housing, polycarbonate lens and a 5 year warranty.

Models

| PART NO. | VOLTAGE | AMPS | RAW LUMENS | TYPE |
|----------|---------|------|------------|-------|
| EW2019 | 12-24 | 0.4 | 600 | Flood |

Features and Benefits

- Thirty three 1-watt LEDs
- Aluminum heatsink housing
- Polycarbonate lens
- Steel mounting bracket



Beam Pattern

