



DIRECTIONAL LEDS



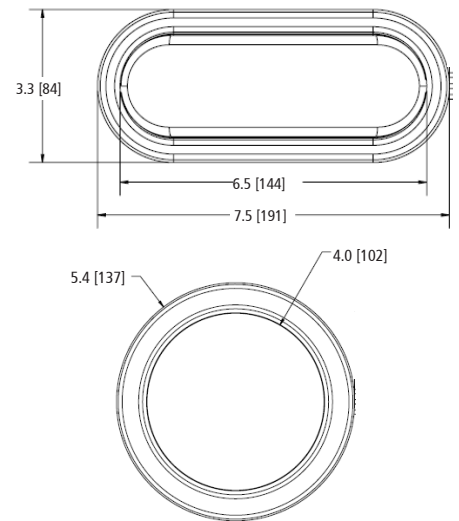
3945 / 3965 Grommet Mount

These independent, LED directional lights offer long life and low-maintenance operation with no moving parts or bulbs/flashtubes to break or replace. Simply fit in standard oval or round rear lighting grommets. Both models feature eight flash patterns. Available in solid or split-color variation (3965 only).

Models

PART NO.	SHAPE	TYPE	LENS COLOR	ILLUMINATION COLOR OPTIONS
3945X	●	Single	<input type="checkbox"/> C	<input type="checkbox"/> A <input type="checkbox"/> B <input type="checkbox"/> C <input type="checkbox"/> R
3965X	●	Single	<input type="checkbox"/> C	<input type="checkbox"/> A <input type="checkbox"/> B <input type="checkbox"/> C <input type="checkbox"/> R
3965AA	●	Single	<input type="checkbox"/> A	<input type="checkbox"/> A
3965XX	●	Split	<input type="checkbox"/> C	<input type="checkbox"/> AB <input type="checkbox"/> AC <input type="checkbox"/> AG

Replace "X" in part number with desired color: A=amber, B=blue, C=clear, G=green, R=red



Design Features

- 12-24 VDC, 0.5 Amps
- 8 flash patterns
- High output LEDs offer low maintenance, long life and low current consumption
- Ultrasonically sealed housing
- Fits in standard oval or round rear lighting grommet (included)
- Vibration and shock resistant construction
- Temperature Range: -22°F to +122°F (-30°C to +50°C)

Accessories

- Round Grommet: R2140GR
- Oval Grommet: R2160GO
- Round Mounting Box: A9894
- Oval Mounting Box: A9895

