



BEACONS



5800 SERIES Rotator

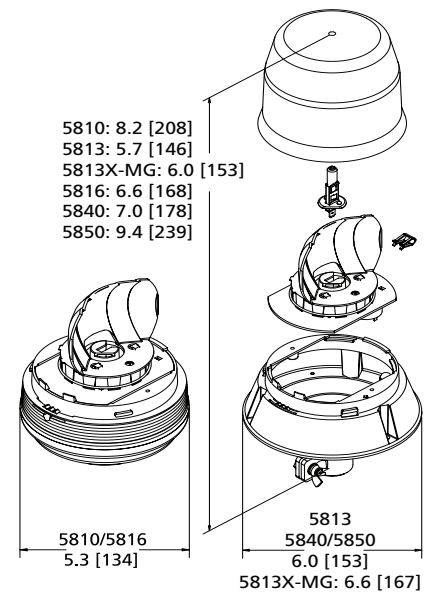
Available in a wide range of base mountings and two height profiles, these rotating beacons produce SAE Class I light output. The 5800 series incorporates a smooth and quiet belt drive module with stainless steel bearings that provides long life and reliable service. Reflectors incorporate a free-form optical design that maximizes light output and beam spread.

Models

PART NO.	MOUNT	LENS COLOR OPTIONS	LED COLOR
5810A	DIN Pole	<input checked="" type="checkbox"/> A	<input type="checkbox"/> C
5813A	3 Bolt	<input checked="" type="checkbox"/> A	<input type="checkbox"/> C
5813A-MG	Magnet	<input checked="" type="checkbox"/> A	<input type="checkbox"/> C
5816A	1 Bolt	<input checked="" type="checkbox"/> A	<input type="checkbox"/> C

Design Features

- 12 VDC, 4.9 Amps, 195 FPM
- Economical style beacon available in several mounting styles
- DIN models designed to fit DIN #72591
- Flexi-Base model rubber base resists vibration & protects against minor impacts
- Twist-on lens secures with a locking screw
- 55-watt halogen bulb
- Temperature Range: -22°F to +122°F (-30°C to +50°C)



Parts & Accessories

- Bulb: R5812BH
- Lens: Amber - R5810LA
- High Profile Lens: Amber - R5840CA