



# DIRECTIONAL LEDS



I, S, T, R, W-1

## ED3000 SERIES

### Stop-Tail-Turn-Reverse and Warning Light Combo

These low-profile, multifunctional lights maximize visibility on the back of the vehicle. Use them to indicate stop-turn-tail-reverse with steady burn red and white colors. When warning lights are activated, the dual-color lights provide 69 attention-grabbing flash patterns. Installation is a breeze with a female PL3 or AMP connector and grommet mount or a flange mount option (see accessories below).

#### Models

| PART NO.       | SHAPE | CONNECTOR |
|----------------|-------|-----------|
| ED3040AW       |       | PL3       |
| ED3040AW-AMP35 |       | AMP       |
| ED3060AW       |       | PL3       |
| ED3060AW-AMP35 |       | AMP       |
| ED3080AW       |       | PL3       |

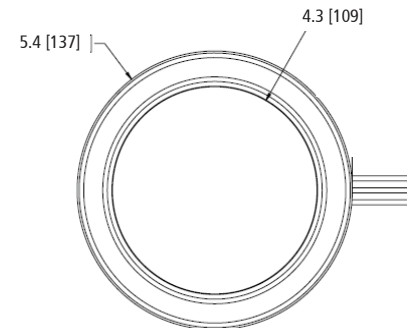
#### Design Features

- 12-24 VDC
- Clear center: reverse/warning, red perimeter: stop-turn-tail
- High output LEDs offer low maintenance, long life and low current consumption
- Ultrasonically sealed housing
- Grommet mount included to fit in standard 4" rounded or 6" oval tail light applications
- Flange mount and bezel available with optional accessories
- Vibration and shock resistant construction
- Connector for ground, stop/turn, tail
- Temperature Range: -22°F to +122°F (-30°C to +50°C)

#### Accessories

|           |                     |  |           |                           |  |
|-----------|---------------------|--|-----------|---------------------------|--|
| EZ3040FLG | Flange for ED3040AW |  | EZ3080BZB | Black Bezel for ED3080AW  |  |
| EZ3060FLG | Flange for ED3060AW |  | EZ3080BZC | Chrome Bezel for ED3080AW |  |

#### ED3040



#### ED3060 & ED3080

