



DIRECTIONAL LEDS



ED3000 SERIES Stop-Tail-Turn-Reverse and Warning Light Combo

ECCO's low-profile, multifunctional STTR directionals maximize visibility on the rear of the vehicle by integrating stop, turn, tail, and reverse lights into a single unit. Available in 4" round and 6" oval configurations with or without a middle warning light, STTR only lights feature steady burn in red and white, while the STTR and warning combo lights offer 69 attention-grabbing flash patterns. The ED3000 Series is DOT certified and comes with a grommet mount for easy installation.

Models

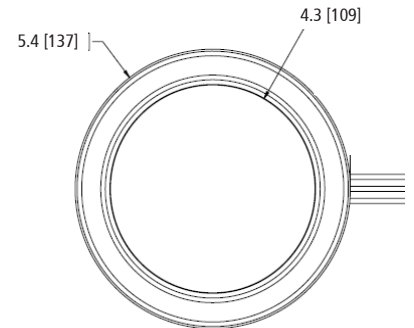
PART NO.	SHAPE	TYPE	CONNECTOR	ILLUMINATION COLORS
ED3040XX	●	STTR + Warning	PL3	AB AG AW
ED3040XX-AMP3S	●	STTR + Warning	AMP	AB AG AW
ED3040STTR	●	STTR	PL3	RW
ED3040STTR-AMP3S	●	STTR	AMP	RW
ED3060XX	●	STTR + Warning	PL3	AB AG AW
ED3060XX-AMP3S	●	STTR + Warning	AMP	AB AG AW
ED3060STTR	●	STTR	PL3	RW
ED3060STTR-AMP3S	●	STTR	AMP	RW
ED3080AW	●	STTR + Warning	PL3	AW
ED3080STTR	●	STTR	PL3	RW

Replace "X" in part number with desired color: A=amber, B=blue, G=green, W=white

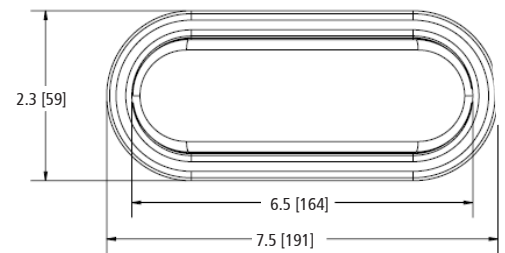
Design Features

- 12-24 VDC
- Clear center: reverse/warning, red perimeter: stop-turn-tail
- High output LEDs offer low maintenance, long life and low current consumption
- Ultrasonically sealed housing
- Grommet mount included to fit in standard 4" rounded or 6" oval tail light applications
- Flange mount and bezel available with optional accessories
- Vibration and shock resistant construction
- Connector for ground, stop/turn, tail
- Temperature Range: -22°F to +122°F (-30°C to +50°C)

ED3040



ED3060 & ED3080



Accessories

- EZ3040FLG Flange for ED3040AW
- EZ3060FLG Flange for ED3060AW
- EZ3080BZB Black Bezel for ED3080AW
- EZ3080BZC Chrome Bezel for ED3080AW

