



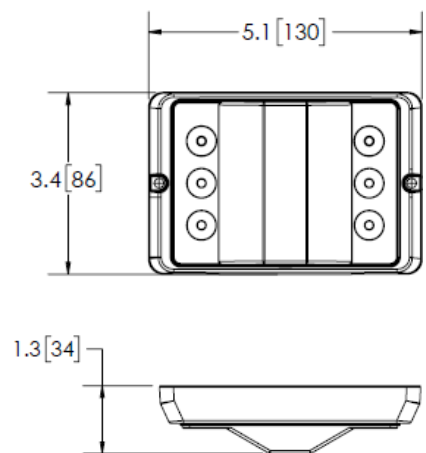
DIRECTIONAL LEDS



ED3779 SERIES

SAE Class I Multipurpose Light

The ED3779 Series wide-angled LED warning light provides the functionality of a warning light, allowing the vehicle's safe arrival to the scene, plus a worklight to create a safe, bright working environment at the scene all in a single package. This unique directional utilizes three rows of lighting to produce a bright, off-angle, 180-degree lighting spread. SAE Class I light output, synchronization capability and the choice of 29 flash patterns for single-color and 69 flash patterns for dual-color allows the creation of an attention-getting, dual-color warning system with half the number of lights typically required.



Models

PART NO.	TYPE	FLASH PATTERNS	LED COLOR
ED3779X	Single	29	
ED3779XX	Dual	69	

Replace "X" in part number with desired color: A=amber, B=blue, C=clear, G=green, R=red

Features and Benefits

- 12-24 VDC, 1.7 Amps
- Steady burn override for worklight functionality
- Multi-Surface mount
- Syncable with ECCO's ED3766, ED3706, ED3712, ED3701/2, ED3700, ED3777 series lights
- Durable IP67 rated for dust and water resistance
- Offers flexibility with multiple surface mounting applications
- Temperature Range: -22°F to +122°F (-30°C to +50°C)

Component View

