



# DIRECTIONAL LEDS



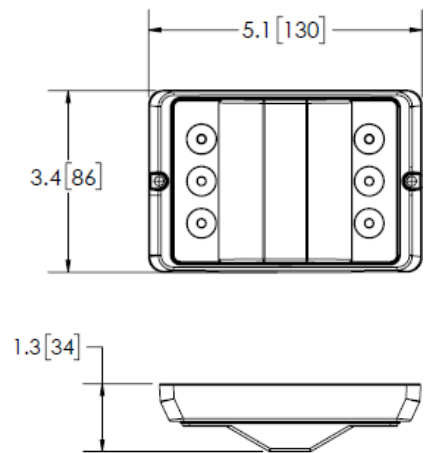
## ED3779 SERIES Multipurpose Light

The ED3779 Series wide-angled LED warning light provides the functionality of a warning light, allowing the vehicle's safe arrival to the scene, plus a worklight to create a safe, bright working environment at the scene all in a single package. This unique directional utilizes three rows of lighting to produce a bright, off-angle, 180-degree lighting spread. SAE Class I light output, synchronization capability and the choice of 29 flash patterns for single-color and 69 flash patterns for dual-color allows the creation of an attention-getting, dual-color warning system with half the number of lights typically required.

### Models

PART NO.	TYPE	FLASH PATTERNS	ILLUMINATION COLOR OPTIONS
ED3779X	Single	29	<span style="color: orange;">■</span> A <span style="color: red;">■</span> R
ED3779XX	Dual	69	<span style="color: blue;">■</span> AB <span style="color: green;">■</span> AG <span style="color: red;">■</span> AR <span style="color: white;">■</span> AW

Replace "X" in part number with desired color: A=amber, B=blue, G=green, R=red, W=white



### Design Features

- 12-24 VDC, 1.7 Amps
- Steady burn override for worklight functionality
- Sync-capable
- 6 LEDs per color
- Offers flexibility with multiple surface mounting applications
- Temperature Range: -22°F to +122°F (-30°C to +50°C)

### Component View

