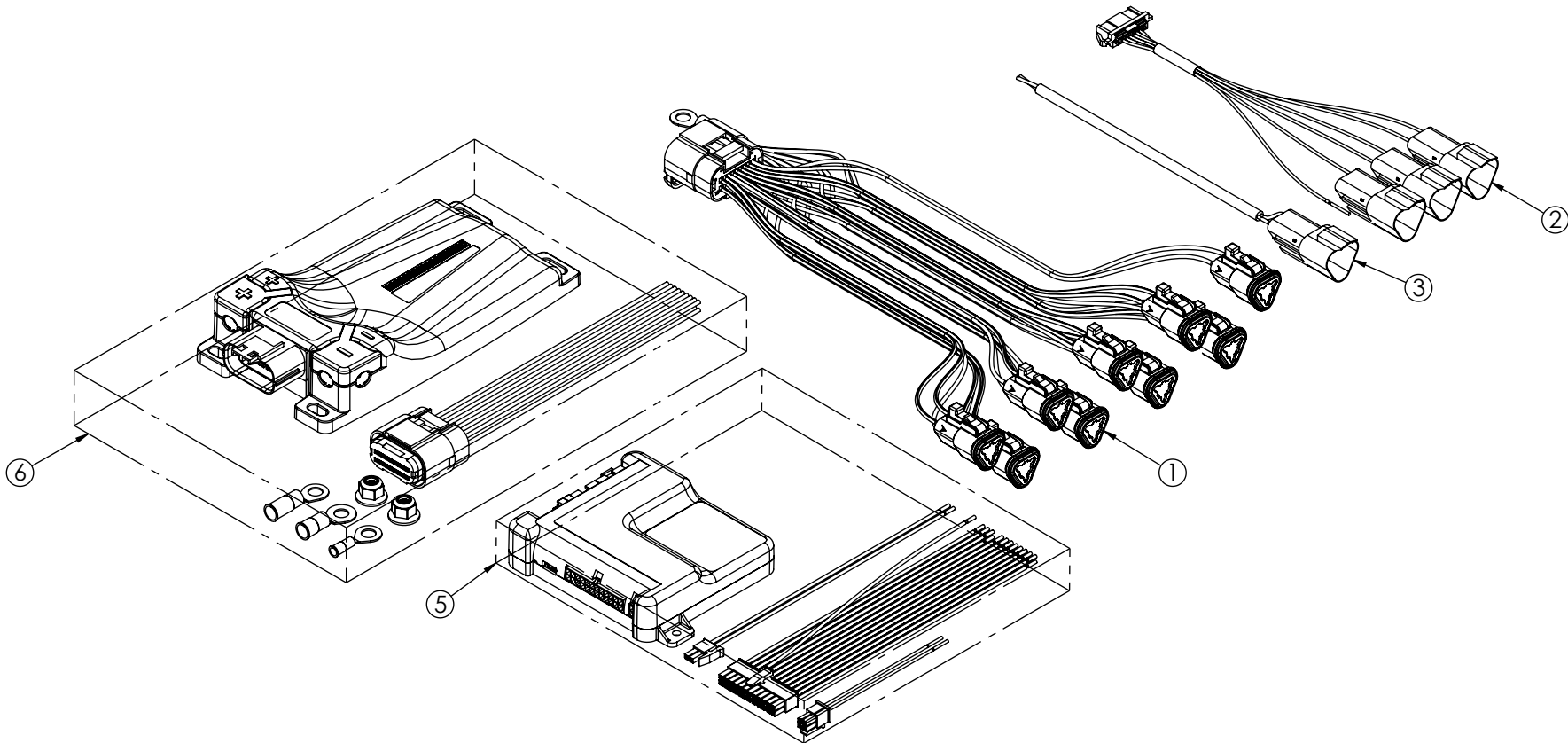


REVISION HISTORY		
REV.	DESCRIPTION	DATE
01	PRELIMINARY RELEASE PER EP0224	2024-06-05
02	REVISED PER EP0224	2024-06-20
A	INITIAL RELEASE PER EP0224	2024-06-26



ITEM NO.	QTY.	DESCRIPTION	COMMENTS
1	1	ASSY,HARNESS,SWITCHNODE,CONNECT	
2	1	ASSY,HARNESS,12+,ECCO_CONNECT	
3	1	CABLE,2C,CAN,CONNECT	
4	1	BAG,POLY, 12" X 16", 4 MIL	NOT SHOWN
5	1	ECCO CONNECT, SIB, EC101	
6	1	ECCO CONNECT, SWITCHNODE, EC101	

SCALE 1:3	APPROVALS	DATE
CAD GENERATED DRAWING DO NOT MANUALLY UPDATE.	DRAWN BY BTK	2024-06-20
	CHECKED ABD	2024-06-21
TOLERANCES ARE IN INCHES, AND MILLIMETERS TOLERANCES UNLESS OTHERWISE STATED ARE:	MECH. ENG. LRA	2024-06-20
	ELEC. ENG. BWR	2024-06-21
TEST ENG. JJ	2024-06-20	
SALES.		
Electronically Controlled Use Latest Copy		



**ECCO**® [www.eccolink.com](http://www.eccolink.com)  
Americas (800) 635-5900 | Europe +44 (0)113 237 5340 | Asia Pacific +61 (0)3 63322444

**KIT,EC,EC101,SIB+SWITCHNODE+CABLES+LB\_CO**

CUSTOMER PART NO.  
**EC101**

SIZE: **A** DWG. NO. **EC101** REV. **A**

SHEET 1 OF 1 Project: EP0224 Date Created: 2024-06-05

PROPRIETARY AND CONFIDENTIAL INFORMATION

THIS DRAWING AND THE DESIGN AND OTHER INFORMATION DISCLOSED HEREIN ARE THE PROPERTY OF ELECTRONIC CONTROLS COMPANY AND/OR ITS ECCO SAFETY GROUP AFFILIATES ("ECCO") AND IS ISSUED IN CONFIDENCE TO RECIPIENT FOR ENGINEERING INFORMATION PURPOSES ONLY. THIS DRAWING AND THE DESIGN AND OTHER INFORMATION DISCLOSED HEREIN MAY NOT BE USED, COPIED, REPRODUCED OR OTHERWISE DISCLOSED IN PART OR IN WHOLE TO THIRD PARTIES OR USED FOR ANY OTHER PURPOSE WITHOUT PRIOR ECCO WRITTEN CONSENT. ECCO RESERVES ALL PATENT, COPYRIGHT, TRADEMARK AND OTHER PROPRIETARY RIGHTS TO THIS DOCUMENT, INCLUDING ALL DESIGN, MANUFACTURING, REPRODUCTION, USE AND SALES RIGHTS THERETO. THIS DRAWING IS SUBJECT TO RECALL BY ECCO AT ANY TIME, AND YOUR POSSESSION AND/OR USE CONSTITUTES ACCEPTANCE OF THESE TERMS. ©2024 ELECTRONIC CONTROLS COMPANY

