



# WORKLAMPS

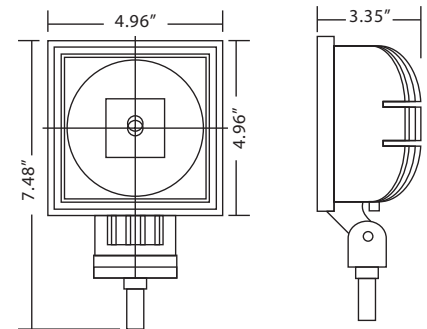


## E92008 Square LED

The E92008 worklamp offers the latest technology and the very brightest white light for your application. This high powered LED model offers over 80,000 hours of maintenance free life expectancy coupled with extremely low amp draw.

### Models

PART NO.	VOLTAGE	AMPS	RAW LUMENS	TYPE
E92008	12-24	2.2	2300	Flood



### Features and Benefits

- Thirty 1-watt LEDs
- 12-24 VDC
- Aluminum heatsink housing
- Polycarbonate lens
- Steel mounting bracket

### Beam Pattern

