



Packaged in Pairs

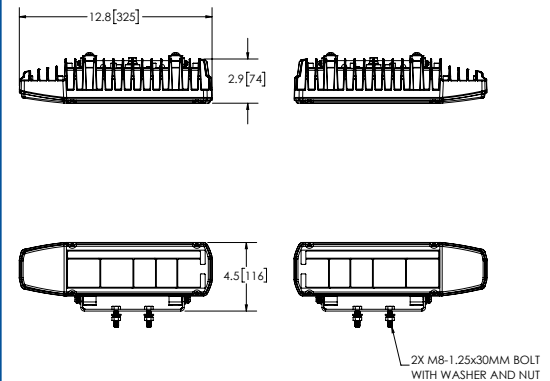
WORKLIGHTS



EW4009 SERIES

Three 47-Watt LEDs

The EW4009 Series worklight offers the latest technology and the very brightest white light for your application. Designed for headlight replacement, as well as vehicles working in inclement weather, this LED model features a heated lens to melt away snow and ice and offers over 80,000 hours of maintenance-free life expectancy coupled with low amp draw. High-intensity light output and CE rating makes this the ideal choice for a wide variety of DOT applications. Additional features include 12-24 VDC operation, shock-resistant mounting, IP67 waterproof breather and a 5 year warranty.



Models

PART NO.	VOLTAGE	AMPS (Low Beam)	AMPS (High Beam)	RAW LUMENS (Low Beam)	RAW LUMENS (High Beam)
EW4009	12-24	1.4	3.5	1,000	1,700

Design Features

- Packaged in pairs
- High Beam / Low Beam / Indicator / Marker
- Snow-melt and anti-icing system
- Unique aluminum heatsink housing design for maximum heat management
- Black powder-coated, diecast aluminum alloy housing and heat sink
- UV stabilized polycarbonate lens and reflector optics
- Low Beam: Two 16.6-Watt LEDs
- Marker Light: Twelve .55-Watt LEDs
- Indicator: Twelve 6.8-Watt LEDs

Accessories

- EZ4009-L/R - Single DOT light replacement
- EZ4009-WIRE - 10' Replacement wire harness
- EZ4009-MK - Replacement mounting kit