

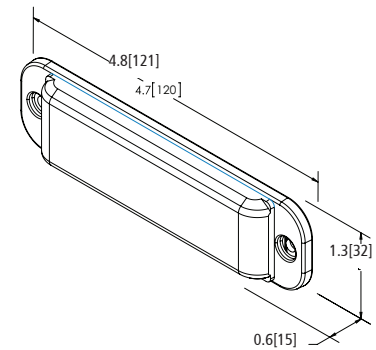
# DIRECTIONAL LEDS



## ED3702 Series

### SAE Class I Dual- or Tri-Color Surface Mount

ED3702 directional LEDs are bright and versatile warning lights suited to a wide variety of applications. Their ultra-low profile makes them easy to install virtually anywhere on a vehicle. Both models offer wide angle optics and multiple flash patterns, including synchronization with other units for simultaneous or alternating operation. The ED3702XX is a dual-color light featuring 12 LEDs (6 of each color) and is available in 7 color configurations. The ED3702XXX is a tri-color light featuring 18 LEDs (6 of each color) and is available in 4 color configurations. Each LED color can be controlled independently.



### Models

PART NO.	TYPE	LED COLOR	FLASH PATTERNS
ED3702XX	Dual		12
ED3702XXX	Tri		24

Replace "X" in part number with desired color: A=amber, B=blue, C=clear, G=green, R=red

### Features and Benefits

- 12-24 VDC, 1.0 Amps
- 12 high intensity LEDs (ED3702XX)
- 18 high intensity LEDs (ED3702XXX)
- Dual-color warning
- Ultra-low profile surface mount
- Synchronizable
- Temperature Range: -22°F to +122°F (-30°C to +50°C)

### Accessories

- Black Bezel (3702-BKBZ)
- Chrome Bezel (3702-CHBZ)



### Flash Patterns

ED3702XX	ED3702XXX
• Single	• Single
• Fast Single	• Fast Single
• Double	• Double
• Fast Double	• Fast Double
• Triple	• Triple
• Quad	• Quad
• Fast Quad	• Fast Quad
• Modulation	• Single Flash
• 2 Double, 2 Quad	• Double Flash
• 4 Single, 2 Triple	• Quad Flash
• 1 Double, 1 Triple, 1 Quad	• Modulation
• Steady Burn	• 2 Double, 2 Quad
	• 4 Single, 2 Triple
	• Autorun
	• Steady Burn