



## BEACONS



6750 &  
6770  
Only

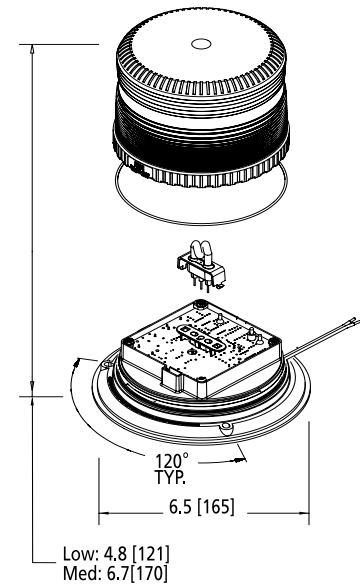
## 6700 SERIES

### SAE Class II Strobe

Designed and built to meet the harsh operational requirements of heavy mobile applications, both versions of the 6700 Series strobe withstand severe vibration, pressure washing and steam cleaning. Reinforced polypropylene base (6710/6720) or aluminum base (6750/6770) models are available, each with epoxy resin fully-encapsulated power supplies. The 6750/6770 versions also feature ECCO's patented i.beam® flash technology to monitor circuit board and flashtube operation.

### Models

PART NO.	PROFILE	VOLTAGE	AMPS	FPM	TYPE	MOUNT
6750A	Low	12-24	2.6	75/65	i.beam®	3 Bolt/1" Pipe
6770A	Medium	12-24	2.6	75/65	i.beam®	3 Bolt/1" Pipe
6710A	Low	12-48	1.3	75/65	-	3 Bolt/1" Pipe
6720A	Medium	12-48	1.3	75/65	-	3 Bolt/1" Pipe



### Features and Benefits

- Circuit board is epoxy resin-encapsulated for protection against moisture, dust and vibration
- Thread-on polycarbonate lens and snap-fit flashtube allow easy field service
- Consistent operation during voltage and temperature changes
- Temperature Range: -22°F to +122°F (-30°C to +50°C)
- Warranty: Strobe = 2 years, Flashtube = 6 months

### Parts & Accessories

- Flashtube: R6501FT
- Lenses Low & Medium/High Profile:
  - Amber - R6050LA/R6070LA
  - Blue - R6050LB/R6070LB
  - Clear - R6050LC/R6070LC
  - Green - R6050LG/R6070LG
  - Red - R6050LR/R6070LR