



## MINIBARS



### 5545 SERIES REFLEX<sup>®</sup> 11" Microbar

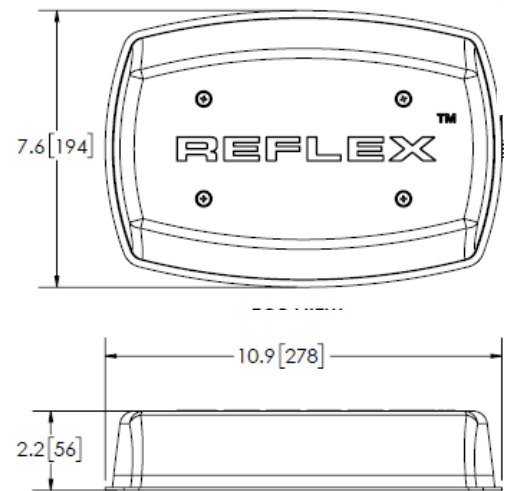
5545 Series LED microbars provide a super-compact yet powerful warning solution that offers the flexibility of either permanent or vacuum-magnet mounting. Featuring 12-24 VDC operation, the Reflex microbar uses high intensity LEDs to maximize light output. Users can select from 35 flash patterns, either via trigger wire on permanent mount models or cigarette plug with on/off and flash pattern selection switch on vacuum-magnet models.

#### Models

PART NO.	MOUNT	LENS COLOR	LED COLOR
5545A	4 Bolt or VM	<span style="color: orange;">■</span> A	<span style="color: orange;">■</span> A
5545CA	4 Bolt or VM	<span style="border: 1px solid black; display: inline-block; width: 10px; height: 10px;"></span> C	<span style="color: orange;">■</span> A

#### Design Features

- 12-24 VDC, 0.7 Amps
- Four LED reflector modules, each containing six LEDs provide high intensity light output
- Choice of 35 flash patterns
- Cigarette plug with on/off and flash pattern selection switch (vacuum-magnet)
- Polycarbonate base & low profile lens



#### Accessories / Replacements

- Domes: Amber - R5545LA  
Clear - R5545LC
- Mounting Feet: EZ5500BKT