

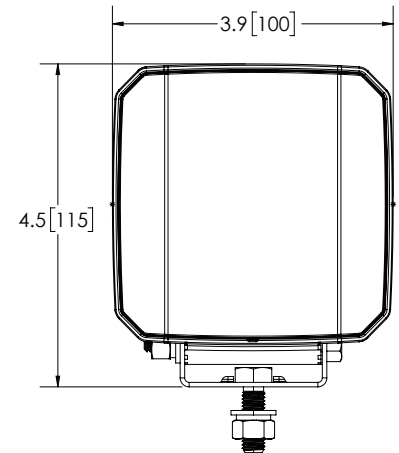


WORKLIGHTS



EW2421H Heated LED Worklight

ECCO's EW2421H heated LED worklight offers the brightest white light illumination wherever you need it. A smooth, flush-mounted lens helps prevent snow and ice buildup while the heated lens, which automatically turns on with power, melts through snow and ice taking a mere three minutes to ramp up to melting temperature. The robust heatsink housing dissipates excess heat, providing optimal power to the heated lens at all times. Sixteen LED flood lights put out 4,930 RAW lumens of power with a low amp draw of 3.4 amps. The EW2421H worklight features a one-bolt mounting bracket for easy mounting on locations like a headache rack while the black lens provides a sleek look that integrates seamlessly with the vehicle. Applications for this heated LED worklight include snowplows, work trucks, tow trucks, service body trucks or any other commercial vehicle.



Models

PART NO.	VDC	TYPE	RAW LUMENS	AMPS
EW2421H	12-24	Flood	4,930	3.4

Design Features

- 12-24VDC
- Heated lens melts through snow and ice, automatically turns on
- Rugged heatsink housing
- Polycarbonate lens
- Stainless steel mounting bracket
- Temperature range: -40°F to 122°F, (-40°C to 50°C)

