



BEACONS



EB7800 SERIES

Rotator

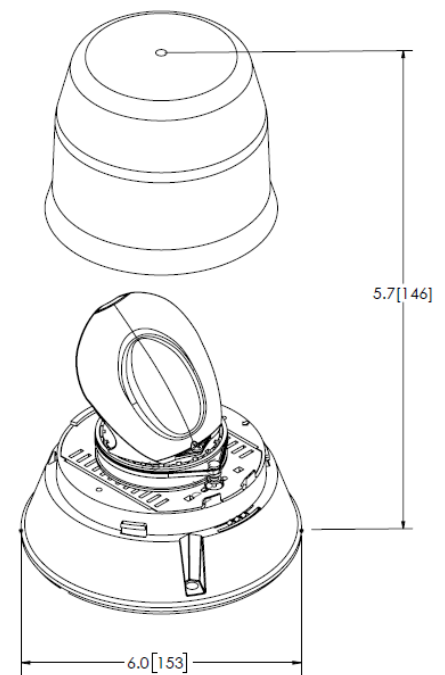
ECCO's EB7800 Series LED Beacon produces a warning signal that is ideal for industrial applications with multi-mount options. The long, maintenance-free service life of LED technology makes this a perfect replacement solution for existing strobe beacons while still being a cost-effective light. That also makes this series ideal for use on electrically powered vehicles and equipment.

Models

PART NO.	MOUNT	LENS COLOR	LED COLOR
EB7810A	DIN Pole	■ A	<input type="checkbox"/> W
EB7813A	3 Bolt	■ A	<input type="checkbox"/> W
EB7813A-MG	Magnet	■ A	<input type="checkbox"/> W
EB7816A	1 Bolt	■ A	<input type="checkbox"/> W

Design Features

- 12-24 VDC, 1.4 Amps, 185 FPM
- Economical-style beacon available in several mounting styles
- DIN models designed to fit DIN #72591
- Reinforced-nylon base and polycarbonate lens
- Flexi-Base model rubber base resists vibration & protects against minor impacts
- Twist-on lens secures with a locking screw
- Temperature Range: -40°F to +158°F (-40°C to +70°C)



Parts & Accessories

- Lenses: Amber - R5810LA
Blue - R5810LB
Red - R5810LR