



BEACONS



excluding
CC &
CC-VM

EB7180 SERIES

SAE Class I LED

The EB7180 LED beacons offer a long, maintenance free service life and low amp draw, this beacon is a high performance, cost effective choice for many applications. Easily replace strobe or rotating beacons with the latest technology so no ongoing maintenance is required.

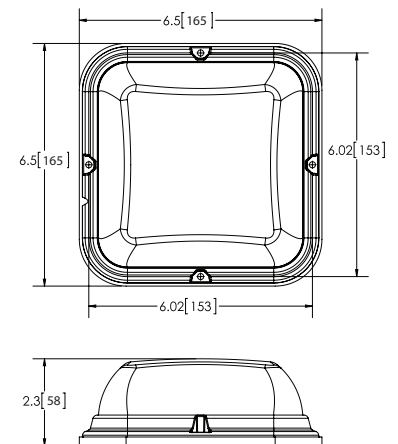
Models

PART NO.	MOUNT	LENS COLOR	LED COLOR OPTIONS
EB7180A	4 Bolt	<input checked="" type="checkbox"/>	<input checked="" type="checkbox"/>
EB7180A-VM	Vacuum-Magnet	<input checked="" type="checkbox"/>	<input checked="" type="checkbox"/>
EB7180CX	4 Bolt	<input type="checkbox"/>	<input checked="" type="checkbox"/> <input type="checkbox"/>
EB7180CX-VM	Vacuum-Magnet	<input type="checkbox"/>	<input checked="" type="checkbox"/> <input type="checkbox"/>

Replace "X" in part number with desired color: A=amber, C=clear

Features and Benefits

- 12-24 VDC, 6.2 Amps
- Compact, low profile beacon
- 8 flash patterns including simulated rotate
- Multiple units can be synchronized
- Cigarette plug with on/off and flash pattern switch (vacuum magnet only)
- Temperature Range: -22°F to +122°F (-30°C to +50°C)



Flash Patterns (8)

- Single, 125 FPM
- Double, 125 FPM
- Quad, 125 FPM
- Rotate, 125 FPM
- Single, 75 FPM
- Double, 75 FPM
- Quad, 75 FPM
- Rotate, 75 FPM