





# MINIBARS



## 5280 ROTOLED™ 13" LED Hybrid

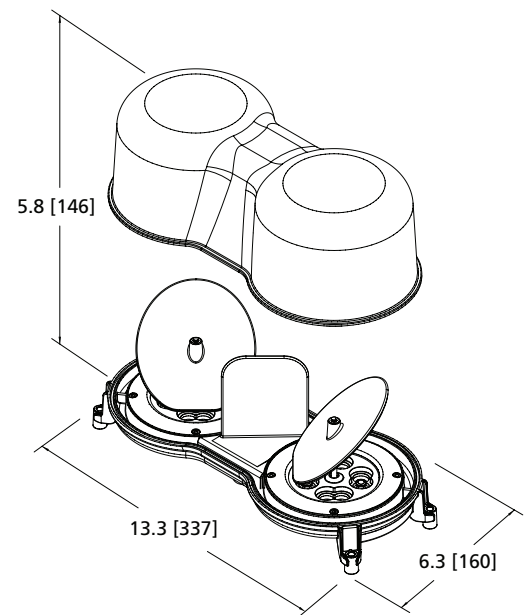
The 5280 Series RotoLED™ combines all the benefits of the latest LEDs with the unmistakable warning signal of a rotator, all without compromising reliability. LED hybrid technology uses a brushless magnetic-drive system to spin the reflector disk, reducing noise and eliminating the typical motor/gear drawbacks associated with conventional rotators. Each hybrid module also features 8 high-intensity LEDs and TIR optic, providing SAE Class I light output. Additional benefits include low amp draw, extended service-free life.

### Models

PART NO.	MOUNT	LENS COLOR	LED COLOR
5280A	4 Bolt		<input type="checkbox"/>
5280A-MG	Magnet		<input type="checkbox"/>

### Design Features

- 12-24 VDC, 4.0 Amps, 75 FPM or 125 FPM
- No gears, brushes, or bulbs to wear out
- LED optics produce intense rotating beam
- UV hard coated lens reduces abrasion, cracking and fading
- Temperature Range: -22°F to +122°F (-30°C to +50°C)



45° angled reflector driven by a quiet brushless magnetic drive system provides an exceptional warning beam without compromising reliability

high intensity, 3-watt LEDs combined with a unique TIR optic project light onto the reflector to provide SAE Class I light output

