



DIRECTIONAL LEDS



ED0016 SERIES LED Magnet Mount

The ED0016 LED directional light offers long life, low-maintenance operation with no moving parts or flashtubes to break or replace. This premium LED head features an amber or red polycarbonate lens with 18 LEDs. This unique light can be mounted in a variety of places and is powered by 4 AA batteries. Warning capability can be customized by selecting from flash patterns or steady burn modes. The ED0016 LED is covered by a 5 year warranty.

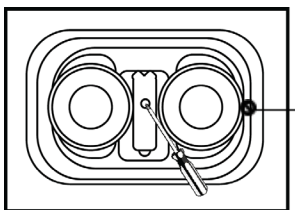
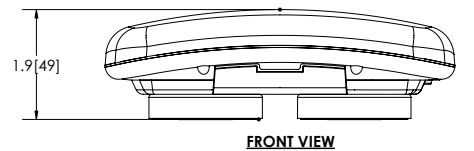
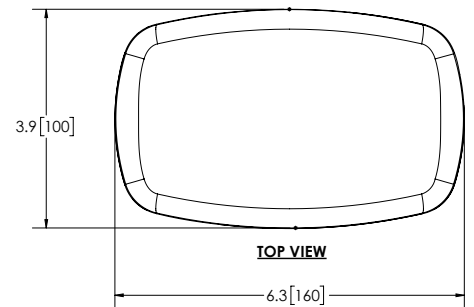
Models

PART NO.	TYPE	LED COLOR
ED0016X	Single	 

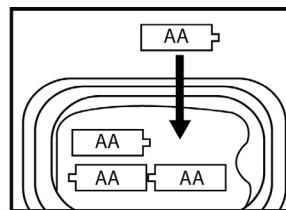
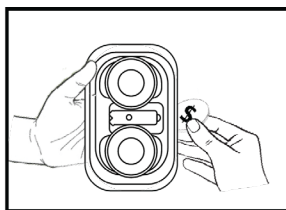
Replace "X" in part number with desired color: A=amber, R=red

Features and Benefits

- 6.0 VDC, 0.3 Amps
- High-strength neodymium magnet
- Flashing and steady burn modes
- Magnet mount
- Powered by 4 AA batteries
- Temperature Range: -22°F to +122°F (-30°C to +50°C)



POWER BUTTON
 Press once for single flash
 Press twice for steady flash
 Press three times to turn off



*Rechargeable batteries are NOT recommended.